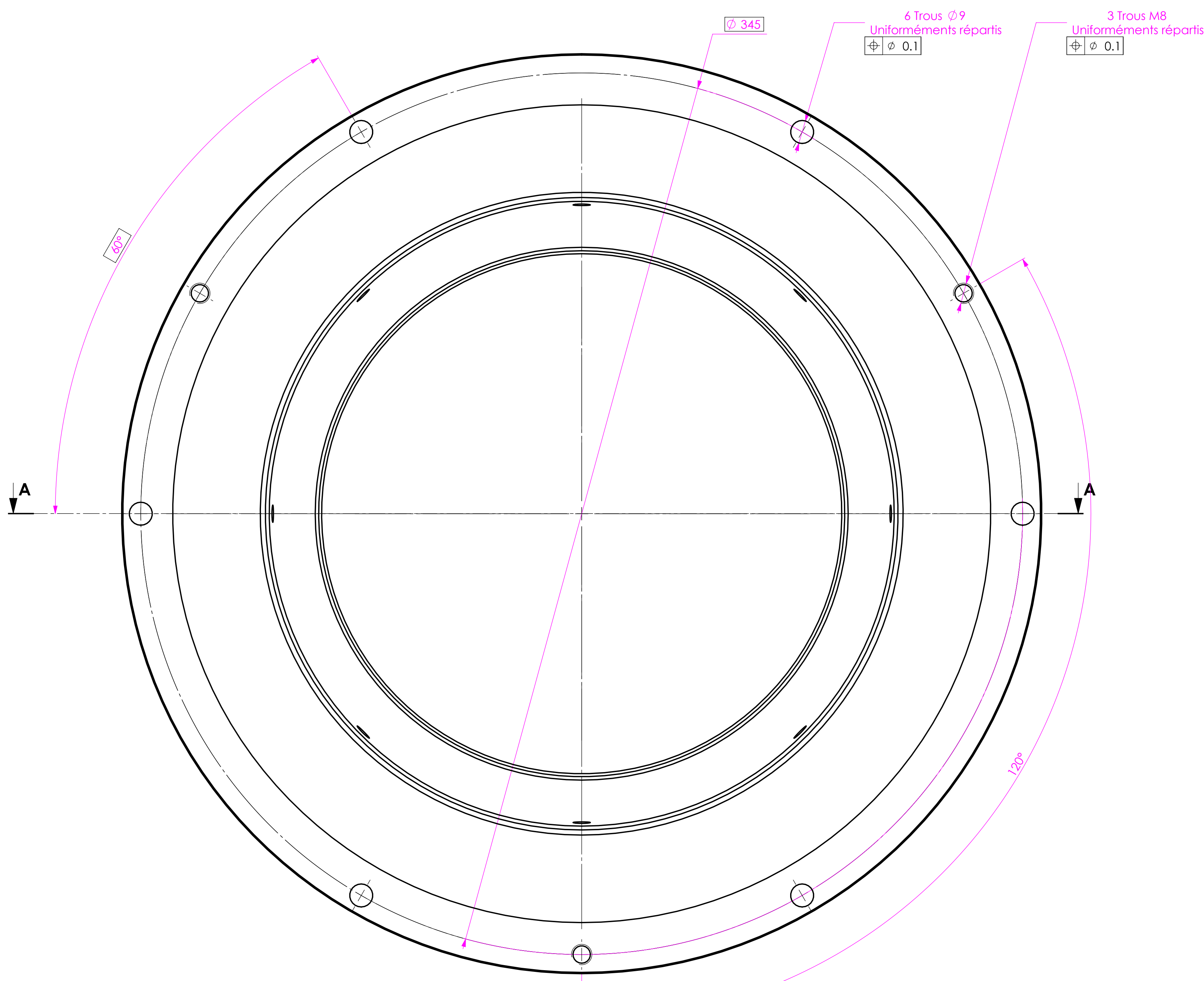
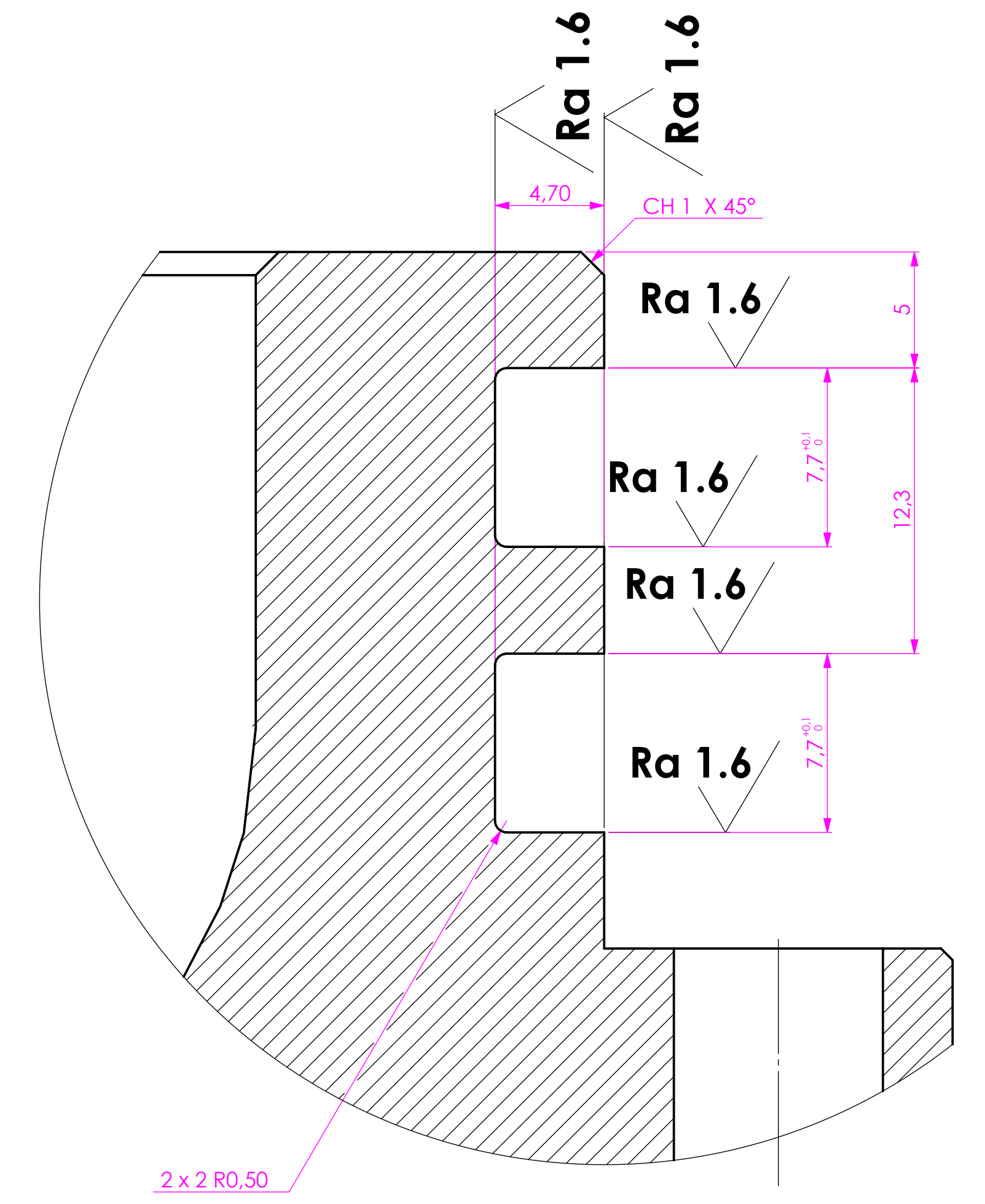
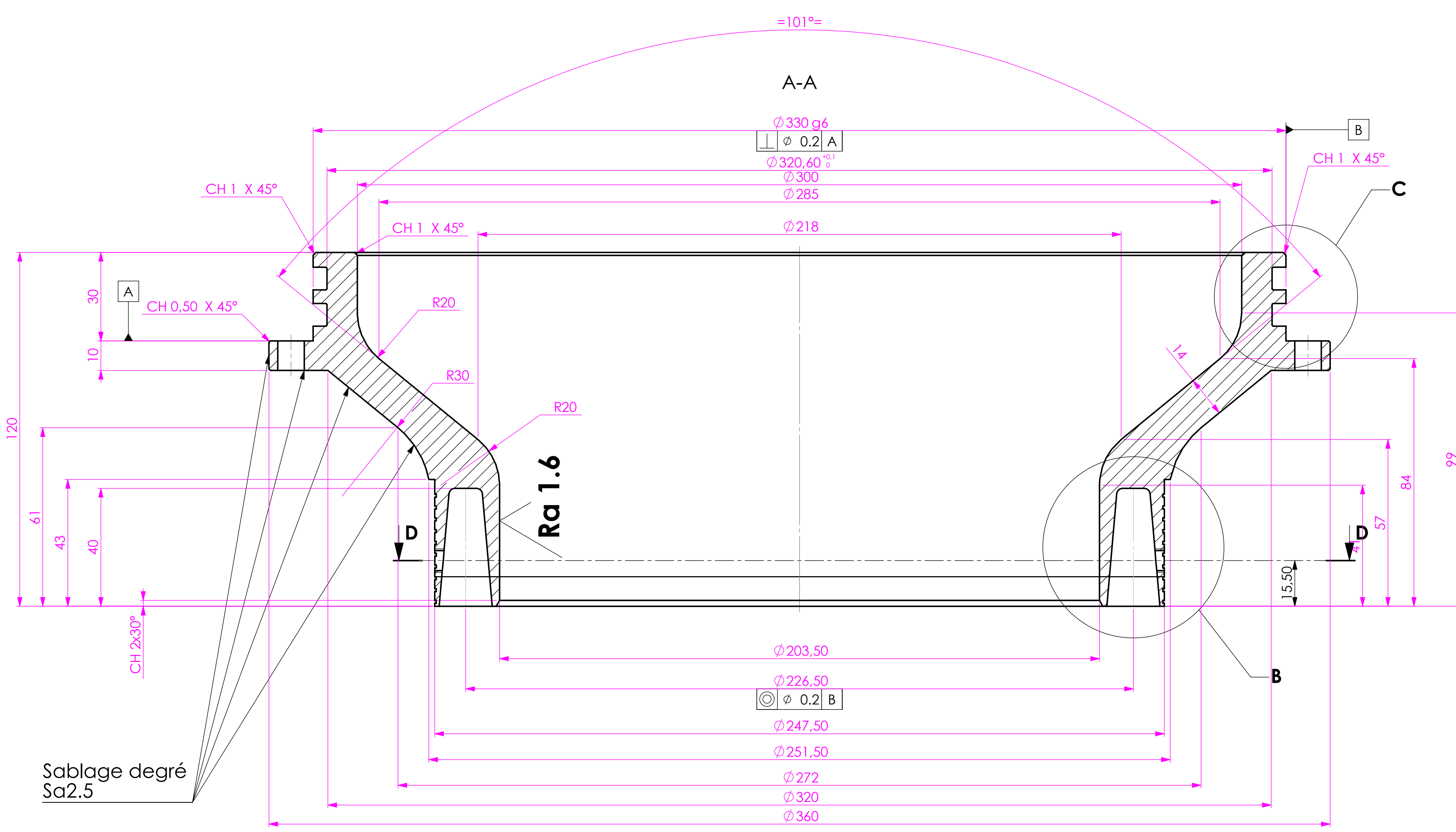
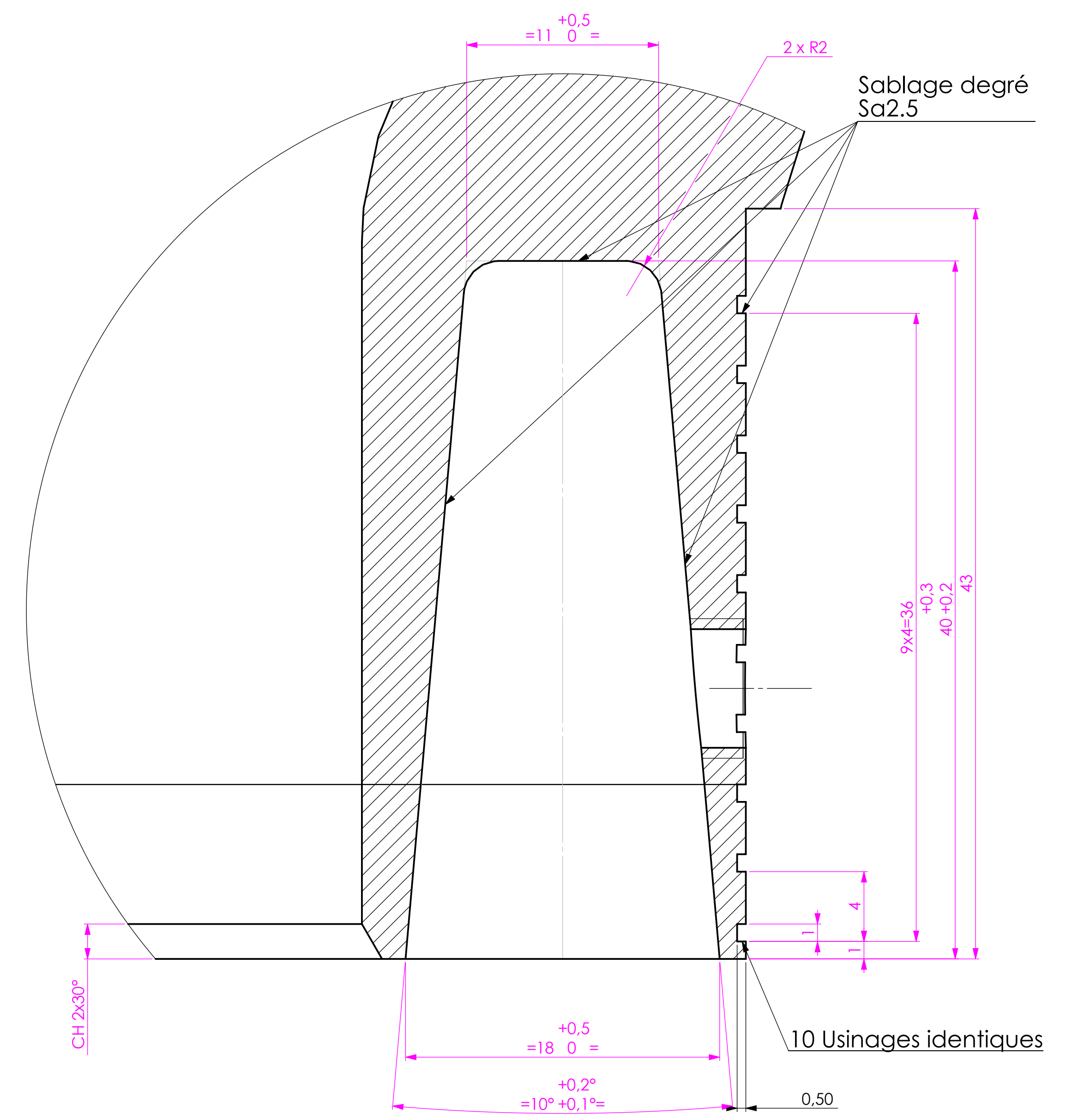


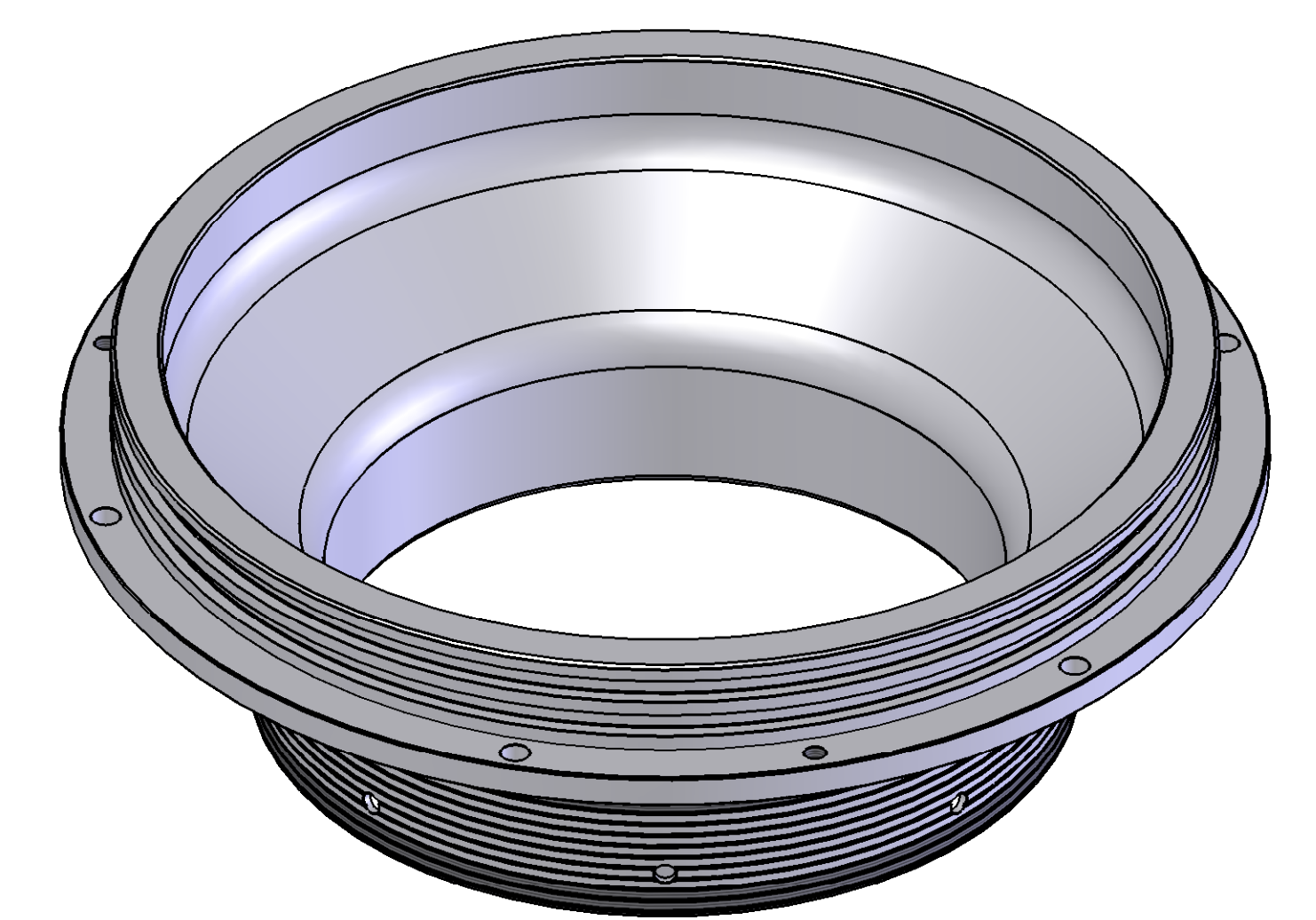
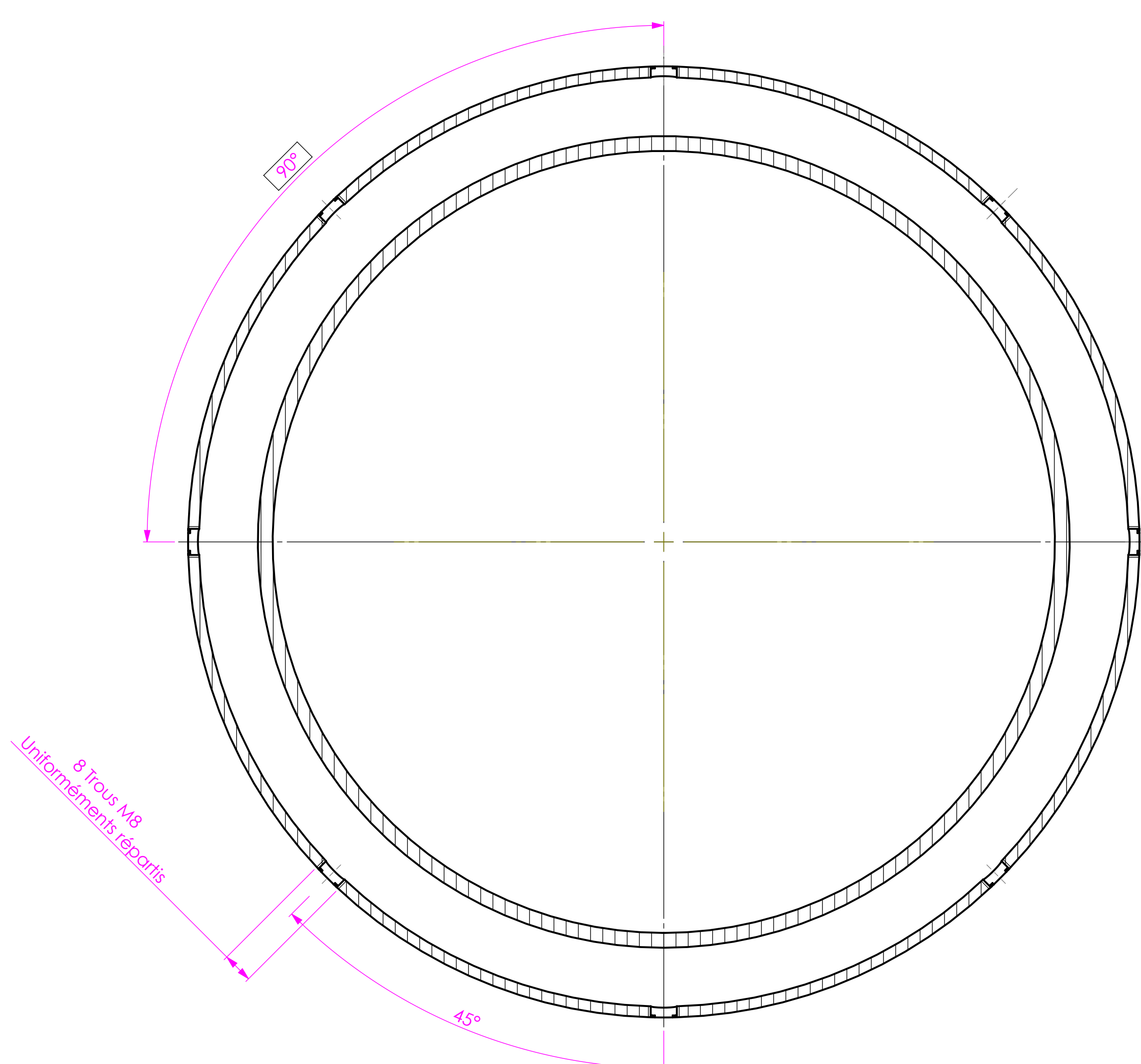
C (5 : 1)



B (5 : 1)



D-D



Weight: 13.0734 Kg

REV	DESCRIPTION	DATE	DRAWN BY	CHECKED BY
F	Modification tolerance gauge	16/03/2012	KL	MS
E	Apul serrage	17/01/2012	KL	MS
D	Agencement rivets	13/09/2011	KL	MS
C	Modif Pts	18/03/2011	KL	MS
B	Modif de par notame	19/01/2011	KL	MS
A	EDITION INITIALE	14/04/2009	KL	MS

Material : X2 CrNiMo 17-12 (316L) Gen. tol. : ISO 2768 mK

Title : Tape support tête

DWG N° : EL 01559 F sheet 1 of 1  
Scale : 1:1 Rev F8329