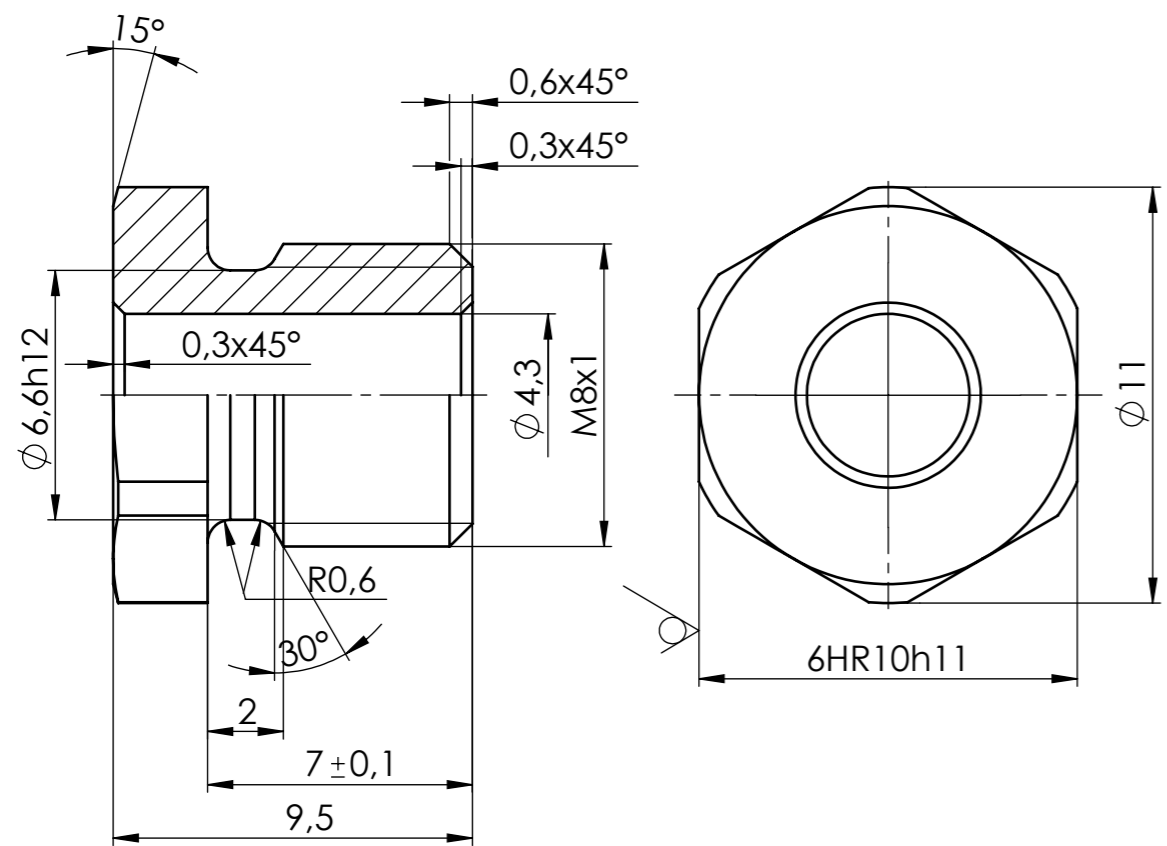


3,2 / (✓)



Unmarked edges: 0,3x45°		Tolerance ČSN ISO 8015		Scale <b>5:1</b>
Carburizing depth:		Drawing precision ČSN ISO 2768-mK		
Hardened on:		Projection		
Surface treatment:				
Material	11 109.0			
Dimension	6HR 10 - 12			
Raw product	ČSN EN 10278 (42 6530.12)			
TPD	ČSN EN 10277-3			
Mass netto	0.00 kg	Mass brutto	kg	Title
PCM	155 761 109 010			
List No.		Name	Date	Type Drawing No. <b>52 0483</b>
File No.		Kreslil		
Assembly No.		Technologist		
Old drawing		Normalization		
		Approved		