

1 2 3 4 5 6

A

B

C

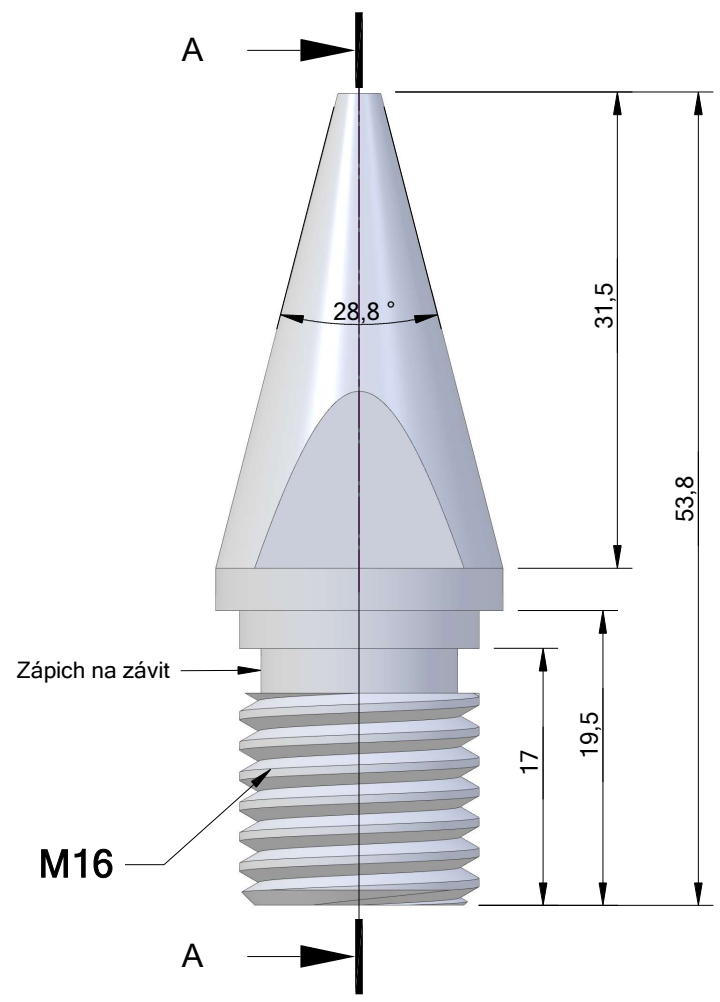
D

A

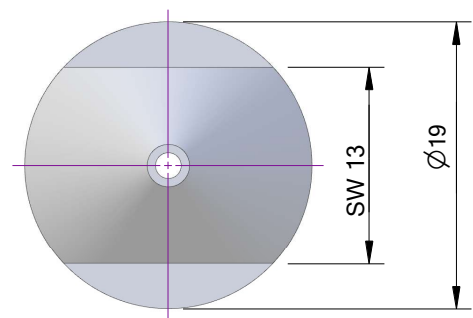
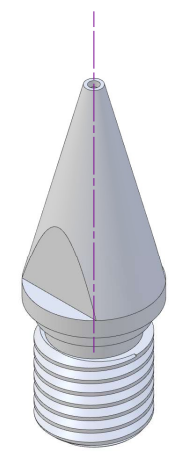
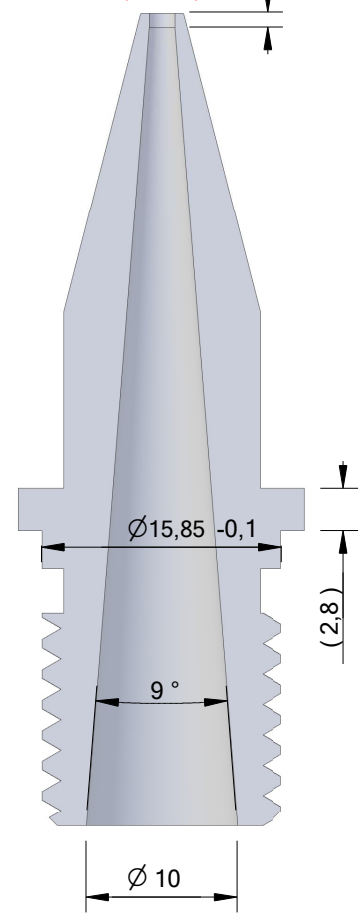
B


C

D



$\varnothing 1,7 \pm 0,05$ Section A-A



		Roffelsen PLASTICS			
Name		Špica		Material	
				19 312	
Treatment		Date	Quantity	Scale	
50-55 HRC		19.5.2023		2:1	

1 2 3 4 5 6