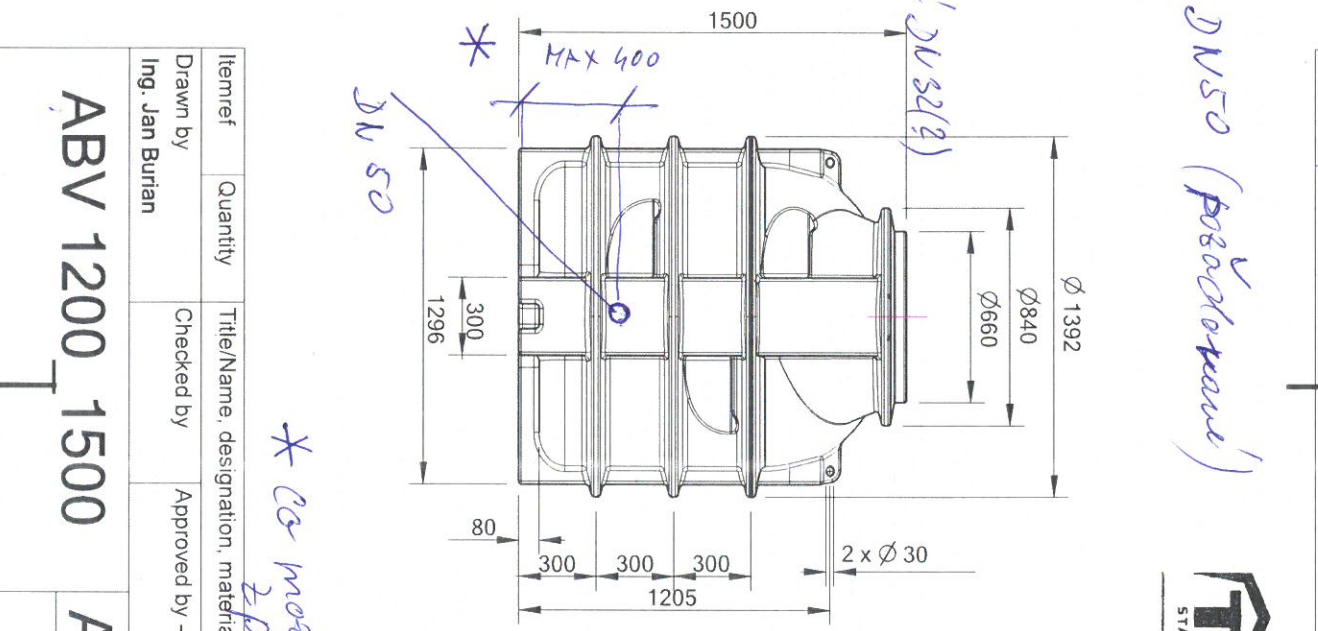
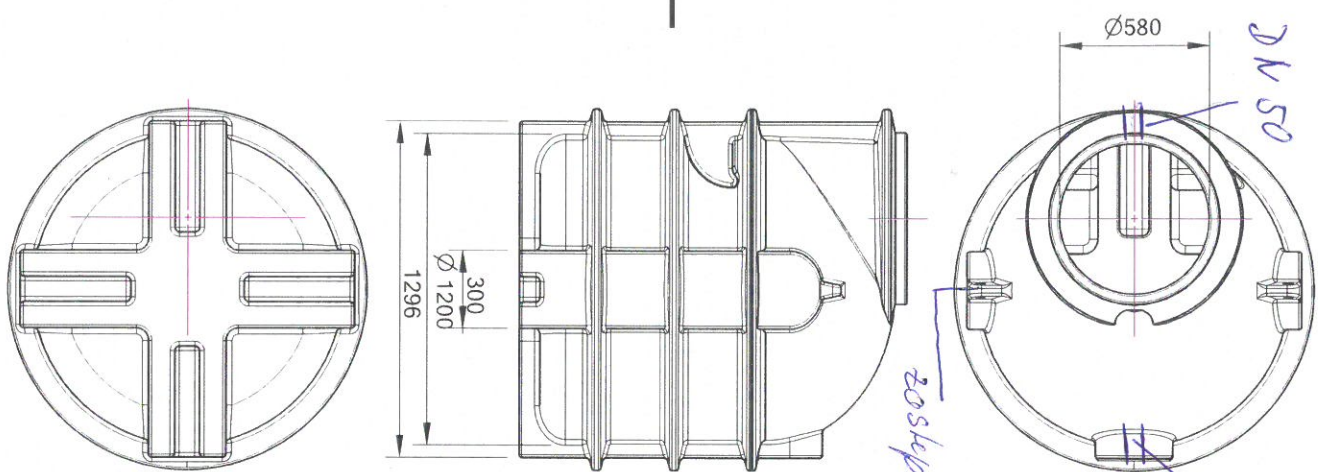
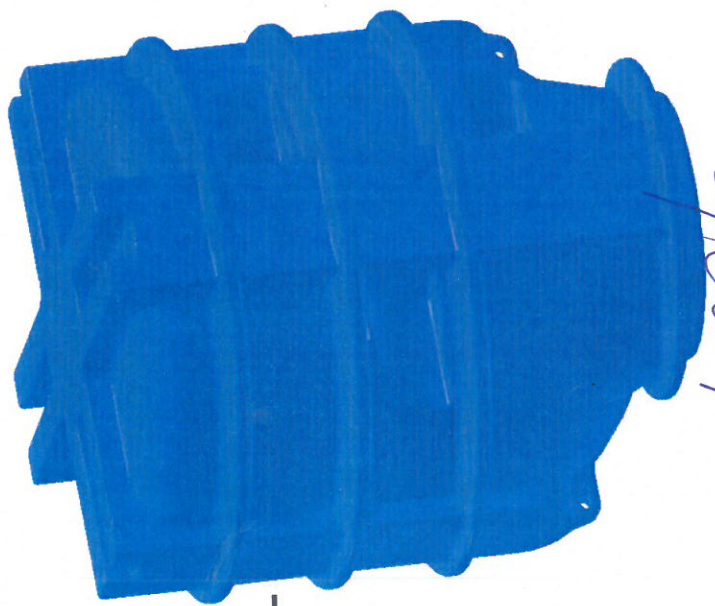


RevNo	Revision note	Date	Signature	Checked



FOST
 STAVBY PRO RADOŠT
 Tost s.r.o. #6
 Habrek 8
 Ledet nad Sázavou
 584 01
 IČO: 11981148, DIČ: CZ11981148
[Signature]



** ca měrná nejníže mod první m
 zpevněním prstevcem*

Itemref	Quantity	Title/Name, designation, material, dimension etc	Article No./Reference
Itemref	Quantity	Title/Name, designation, material, dimension etc	Article No./Reference
Itemref	Quantity	Title/Name, designation, material, dimension etc	Article No./Reference

Drawn by
 Ing. Jan Burian

Checked by

Approved by - date

File name

Date
 08.11.2020

Scale
 1:1

ABV 1200 1500

ABPLAST s.r.o. Pohodlí

Edition
 Sheet
 1 OF 1