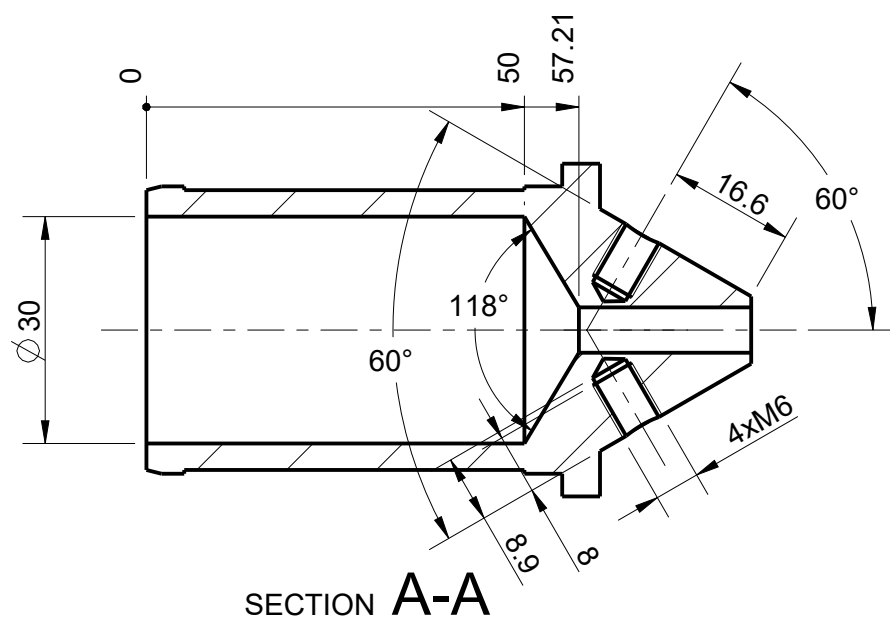
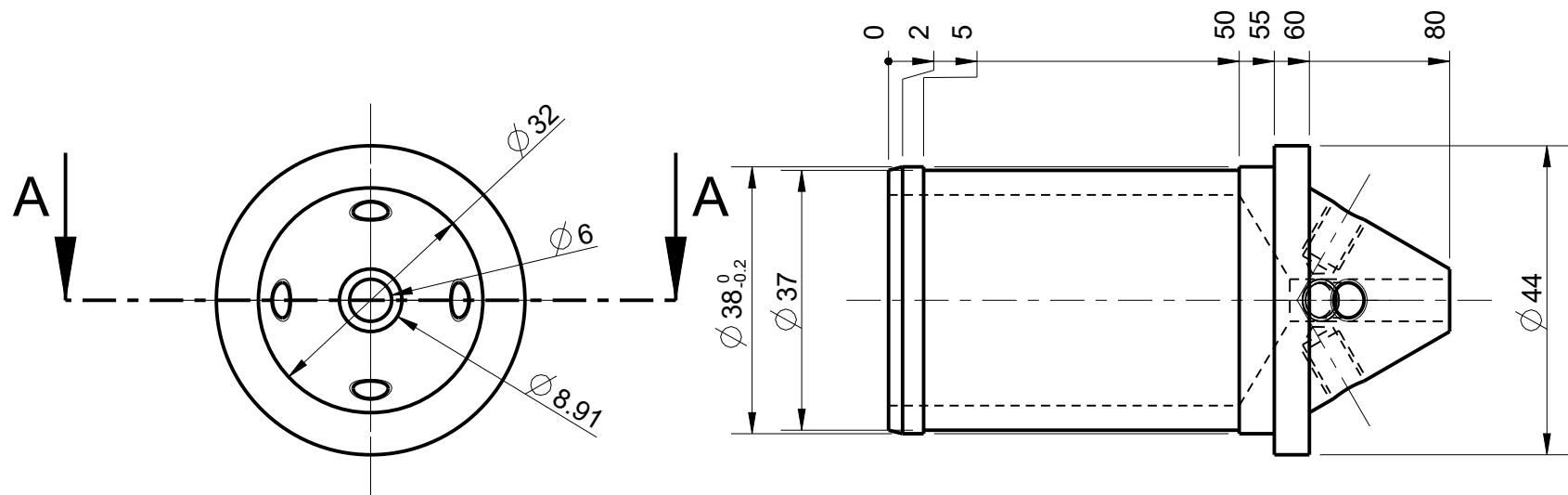


DRAWING REVISIONS							
REV	DESCRIPTION	DWO	ECO	DATE	DRN BY	CHK BY	APP BY
A1	PRELIMINARY RELEASE			2023oct25	MKA		



GENERAL TOLERANCES TO ISO 2768 FOR LINEAR AND ANGULAR DIMENSIONS						
TOLERANCE CLASS DESIGNATION	PERMISSIBLE DEVIATIONS IN MM FOR RANGES IN NOMINAL LENGTHS					
	0.5 to 3	over 3 up to 6	over 6 up to 30	over 30 up to 120	over 120 up to 400	over 400 up to 1000
f (fine)	± 0.05	± 0.05	± 0.1	± 0.15	± 0.2	± 0.3
m (medium)	± 0.1	± 0.1	± 0.2	± 0.3	± 0.5	± 0.8
c (coarse)	± 0.2	± 0.3	± 0.5	± 0.8	± 1.2	± 2
v (very coarse)	-	± 0.5	± 1	± 1.5	± 2.5	± 4

NOTICE TO PERSONS RECEIVING THIS DRAWING AND/OR TECHNICAL INFORMATION
 CORPORATION CLAIMS PROPRIETARY RIGHTS IN THE MATERIAL DISCLOSED HEREON. THIS DRAWING AND/OR TECHNICAL INFORMATION IS ISSUED IN CONFIDENCE FOR ENGINEERING INFORMATION ONLY AND MAY NOT BE REPRODUCED OR USED TO MANUFACTURE ANYTHING SHOWN OR REFERRED TO HEREON WITHOUT DIRECT PERMISSION FROM TO THE USER. THIS DRAWING AND/OR TECHNICAL INFORMATION IS LOANED FOR MUTUAL ASSISTANCE AND IS SUBJECT TO RECALL AT ANY TIME. THIS DRAWING AND/OR TECHNICAL INFORMATION IS THE PROPERTY OF CORPORATION. AS SUPPLIER, WILL MEET AGREED TO DRAWING REQUIREMENTS AND SPECIFICATIONS THAT DEFINE THIS PRODUCT; HOWEVER, SUITABILITY FOR ANY INTENDED APPLICATION IS THE PURCHASER'S RESPONSIBILITY

INTERPRET DIMENSIONS AND TOLERANCING PER ISO 129-1:2004

UNLESS OTHERWISE SPECIFIED
 GENERAL TOLERANCES PER: ISO 2768-1 class mK SURFACE FINISH =

HEAT TREATMENT

MATERIAL: AL 7075 ESTIMATED MASS (grams): 96.8

ENGINE: -

CUSTOMER CUSTOMER CHANGE LEVEL

CUSTOMER PART NUMBER

TITLE

DRAWING TYPE: ERL SIMILAR: -
 RELEASE STATUS: PROTOTYPE
 SIZE: A3 SCALE: 1:1 SHEET OF: 1 1
 DRAWING NUMBER: 401275_151-ERL_2023OCT25

A