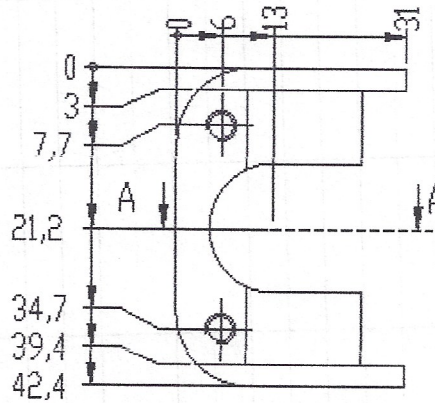
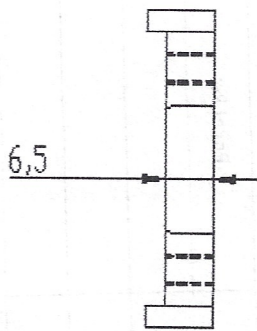
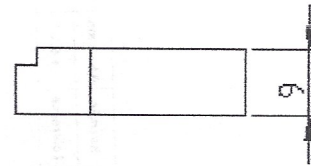
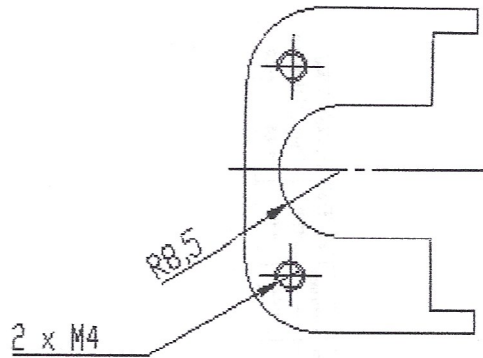


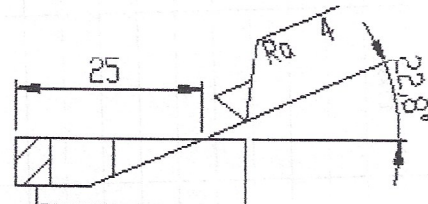
120/129/2020

041

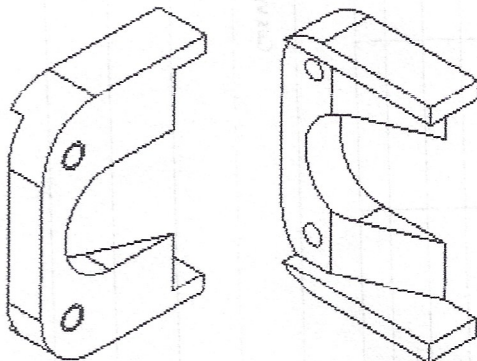


x 18 ks  
d.t.o.p. 2021

45x15 L = 700.4.4



SECTION A-A



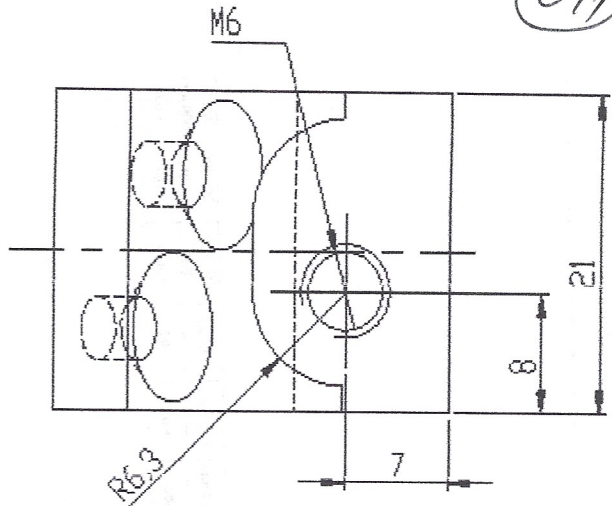
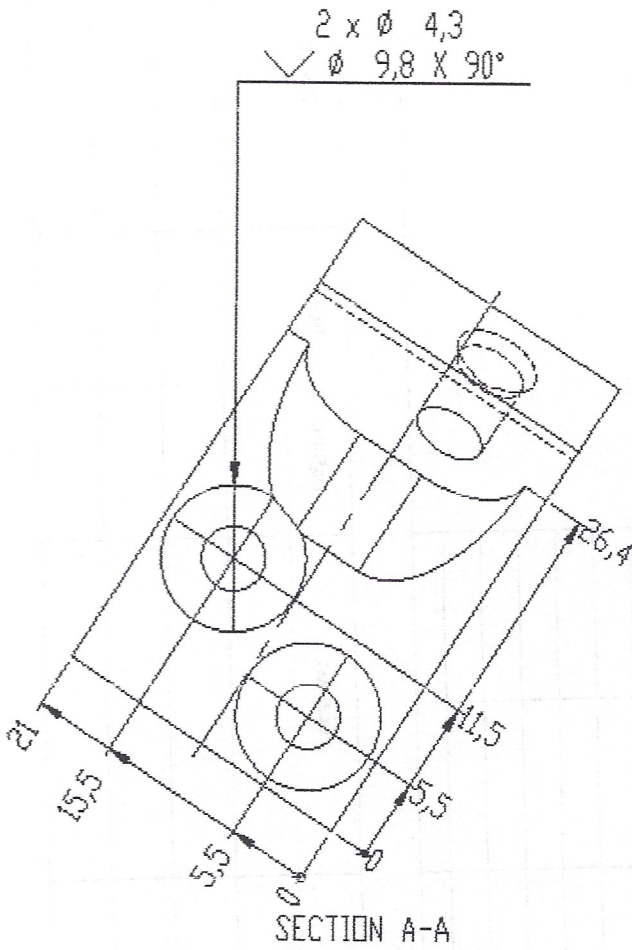
1.4301

Production notes	
1	Edges and Corners must be broken
2	
3	
4	

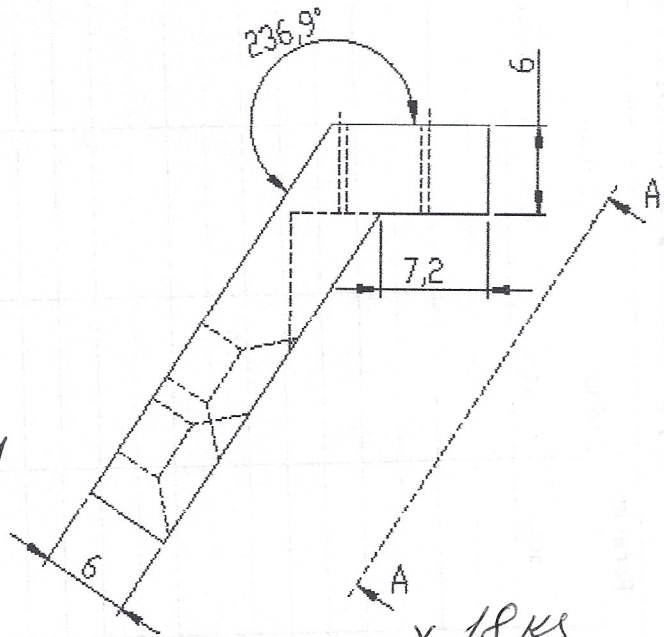
General tolerances accuracy: ISO 2768-m	Drawn Date / by 2417/JN	Production: Celex
	Current Revision Date / by /	Assembly: 032-5300-0
Dimensions in mm.	Material: Stainless steel	Part name: IDE lock tension house
Weight: 9	Scale: 1:1	Dep. no. and File name: 032-5344-0
		Size: A4

120/129/2020

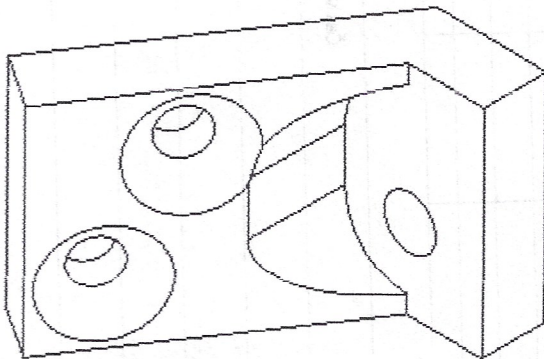
091



30 x 30 L = 600 mm



x 18 ks.  
 21.01.2021




1.4301

Production notes:	
1	Edges and Corners must be broken
2	
3	
4	

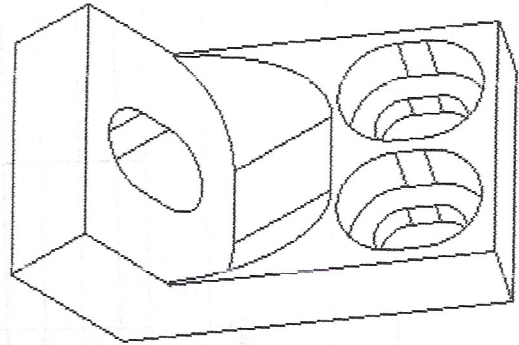
General tolerance accuracy: ISO 2768-M	Down Date / by 2417/JM	Product name: Celex
	Current Revision Date / by 4419/LT	Assembly name: 032-5300-0
Dimensions in mm.	Material: Stainless steel	Part name: IDE lock pin house
Weight: 9	Scale: 2:1	Dep. no. and file name: 032-5346-0
		Size: A4



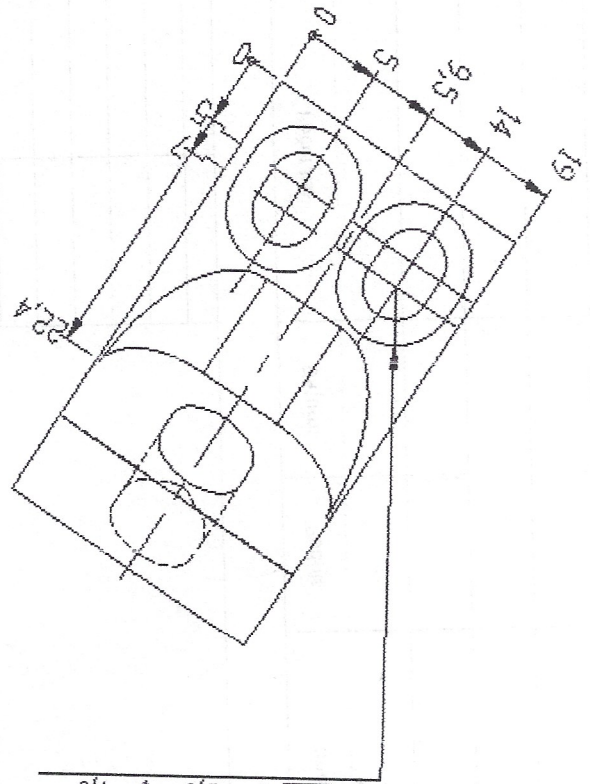
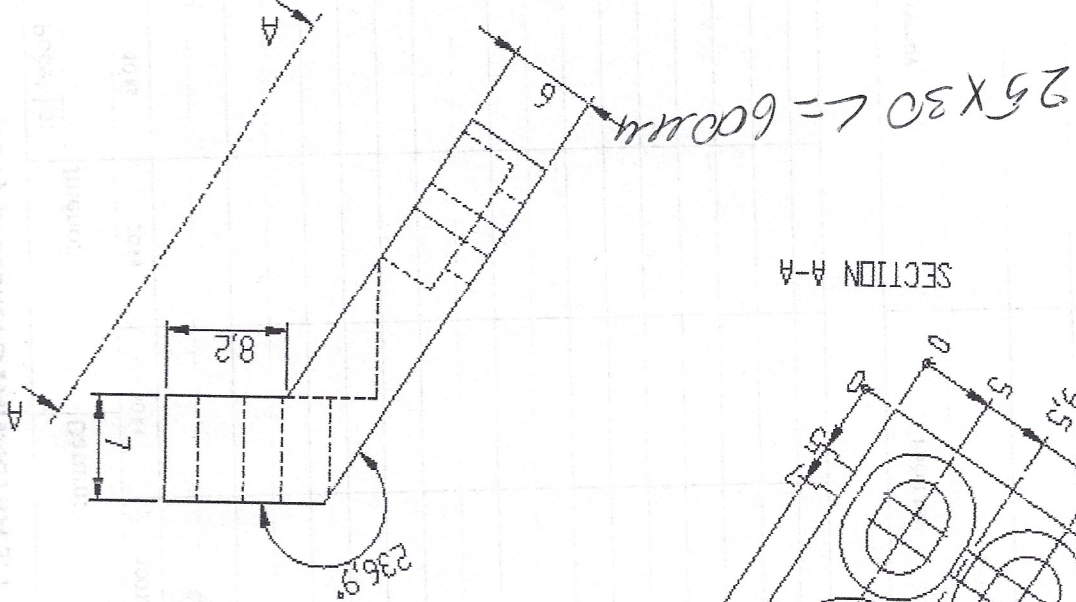
A4	032-5353-0	21	9	Stainless steel	Belt support bracket		Weight: 9	Dimensions in mm: ISD 2768-M	General tolerance: accuracy:	Date / sp: 4019/1T	Product: CFP
										Date / sp: 4019/1T	Assembly: 032-5300-0
Part no. and Fl. num.		Scale:		Part name:		Material:		Dimensions in mm:		General tolerance:	

4	
3	
2	
1	Edges and Corners must be broken

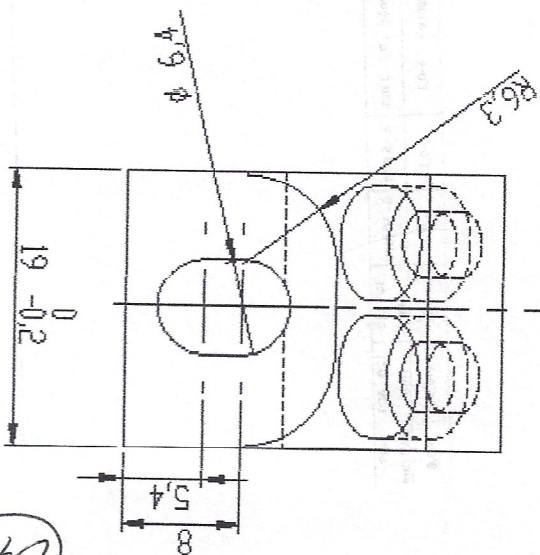
Production notes:



*1.4301*  
*X 1.813*  
*dt. 01.2021*



2x  $\phi$  4.3 THRU ALL  
 $\perp \phi$  8.0  $\pm$  4.0



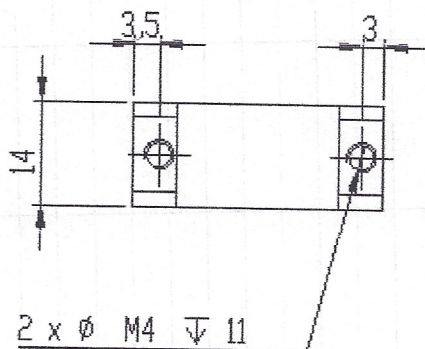
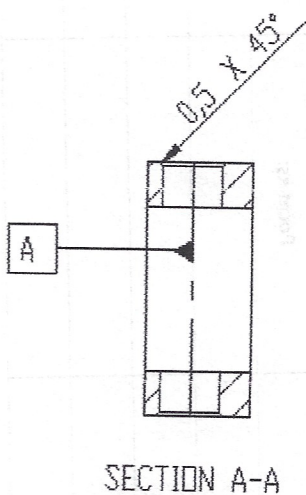
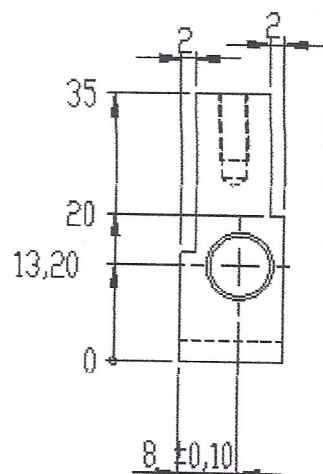
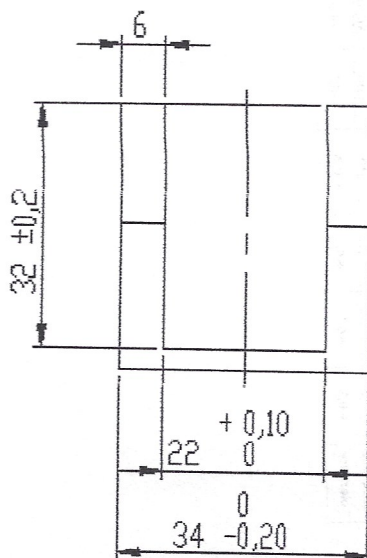
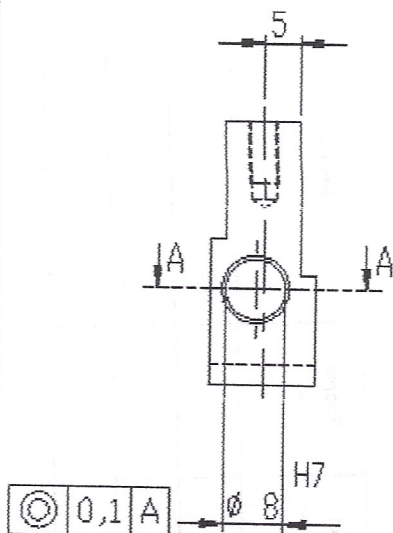
30

041

140/149/2020

120/129/2020

041



35 x 20 ± 800 μm

x 16 ks.  
21.01.2021

galvan. zincovano

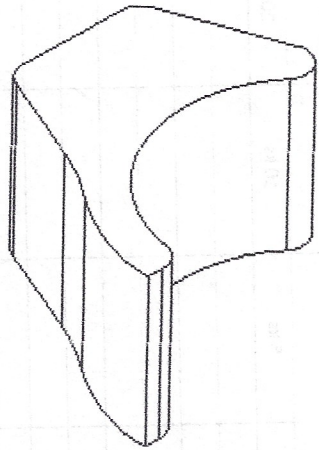
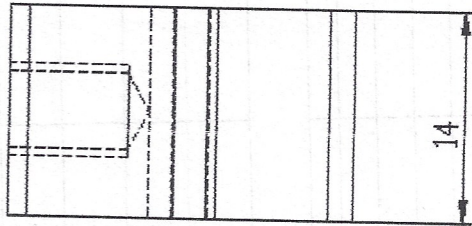
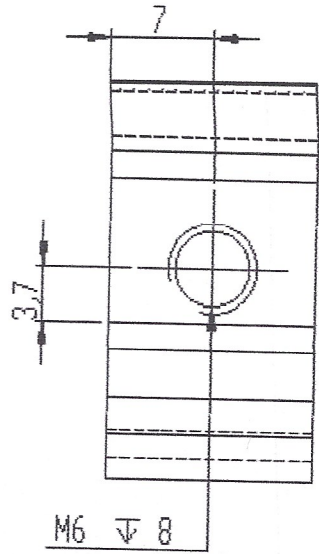
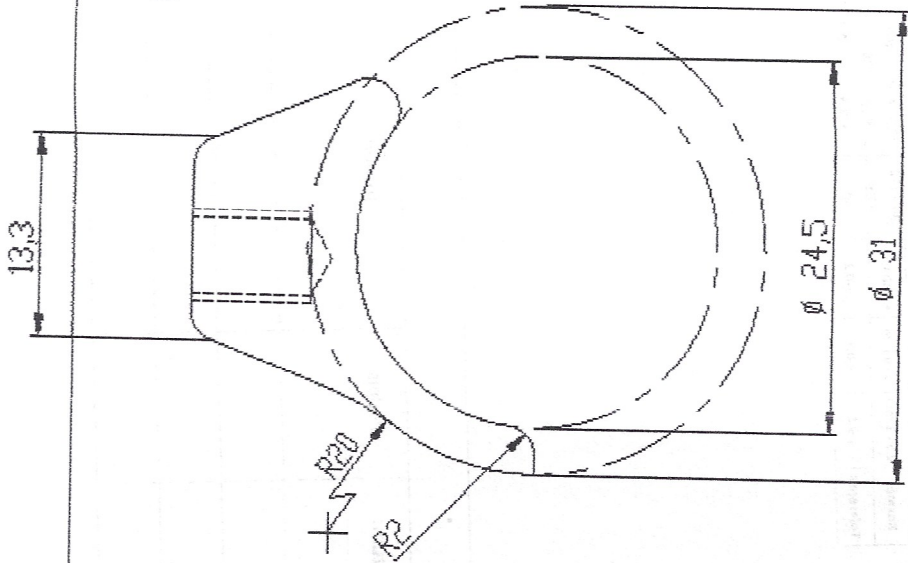
Production notes:	
1	Edges and Corners must be broken
2	Electric Galvation
3	
4	

General tolerance accuracy: ISO 2768-m Dimensions in mm.	Drawn Date / by 4217/LT	Production: Celex	
	Current Reviewer Date / by 1719/LT	Assembly: 032-5120-0	
Material: <b>S235JR</b> Weight: 40g	Scale: 1:1	Part name: Belt tensioner bracket	
		Dep. no. and File name: 032-5106-0	
			Size: A4



120/129/2020

(041)



x 20 ks  
d.t. 01.2021

40 x 20  $\pm$  1mm

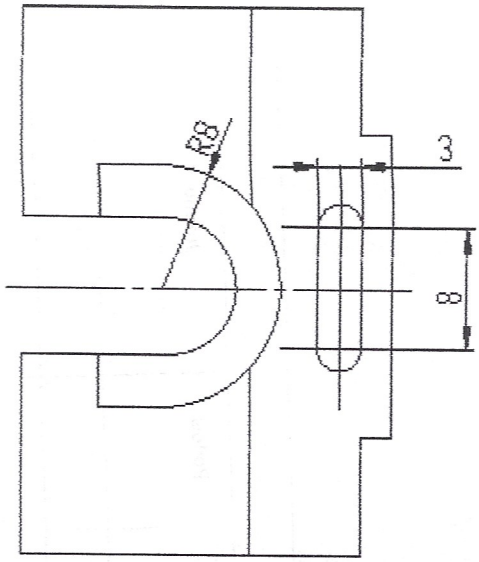
~~041~~

Production notes:	
1	Edges and Corners must be broken
2	
3	
4	

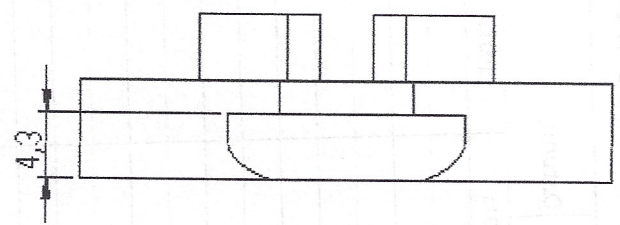
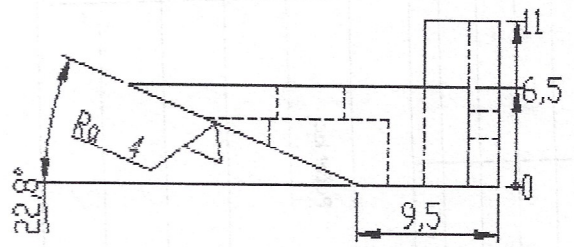
	General tolerance accuracy: ISO 2768-m	Drawn Date / typ 4019/AT	Production no: CFP
	Dimensions in mm.	Current Revision Date / typ /	Assembly name: 032-5300-0
	Material: PDM, Black	Weight: 9	Part name: Belt support
		Scale: 2:1	Dep. no and file name: 032-5354-0
			Sheet: A4

120/129/2020

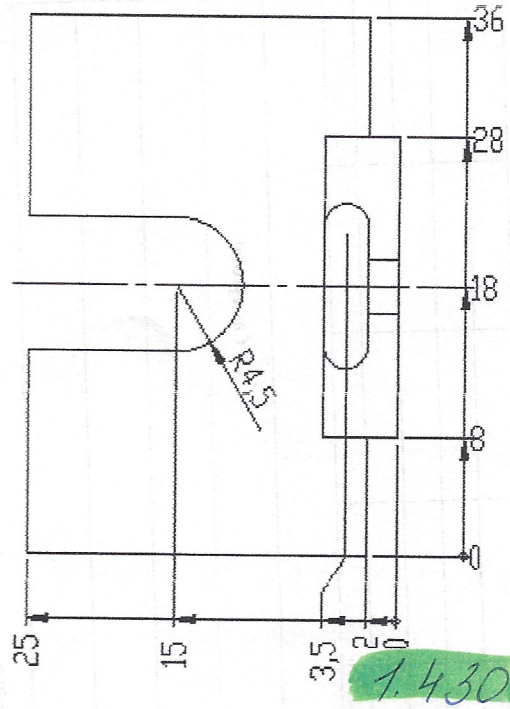
041



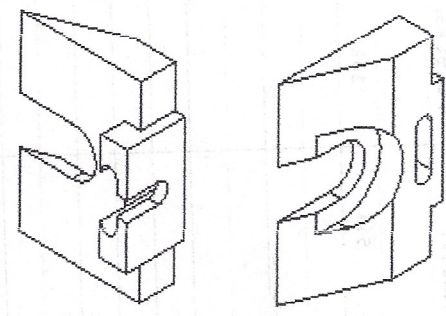
15 x 40 L = 650 mm



x 17ks.  
21.01.2021



1.4301



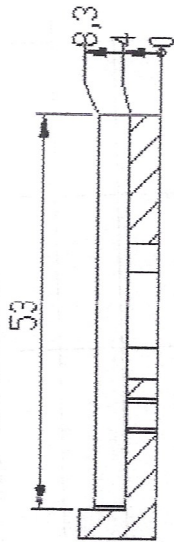
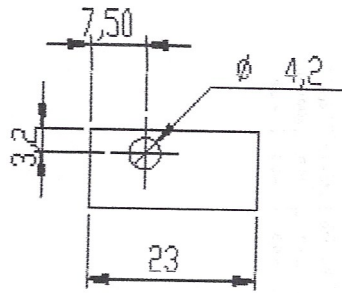
Production notes:	
1	Edges and Corners must be broken
2	
3	
4	

	General tolerance accuracy: ISO 2768-m	Drawn date / by: 2417/JN	Production: Celex
	Dimensions in mm.	Current Revisors date / by: 3317/JR	Assembly name: 032-5300-0
	Material: Stainless steel	Part name: IDE lock tension plate	Size: A4
	Weight: 9	Scale: 2:1	

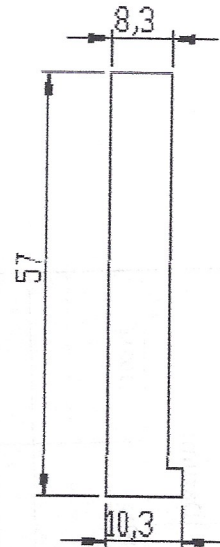
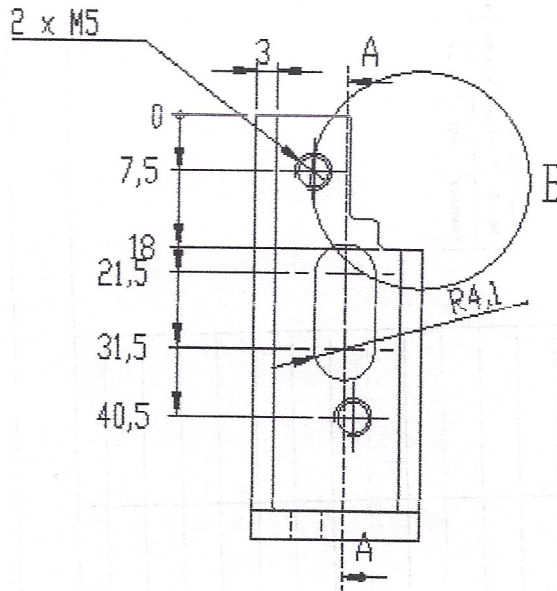


120/129/2020

041



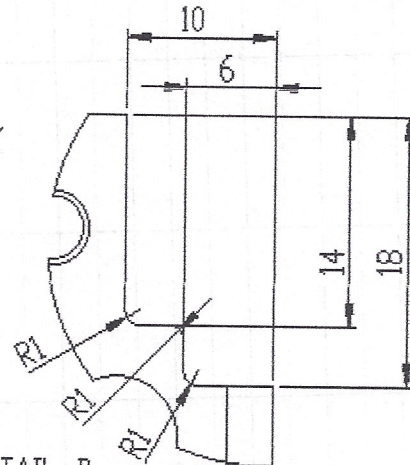
SECTION A-A



x 20RS  
201.2021

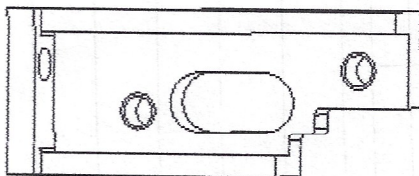
25 x 15 L = 1.5 M

~~60 x 15 L =~~



DETAIL B  
SCALE 2:1

galvanicky zinkovano



Production notes:	
1	Edges and Corners must be broken
2	Electric Galvation
3	
4	

General tolerance accuracy: ISO 2768-m	Drawn Date / by 4217/LT	Production: CFP
	Current Revision Date / by 3518/JBC	Assembly: 032-5350-0
Dimensions in mm.	Material: S235JR	Part name: Tensioner bracket
Weight: 43g	Scale: 1:1	Dep. no. and File name: 032-5347-0
		Stav: A4