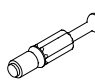


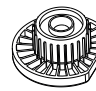
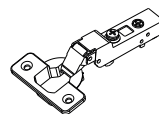
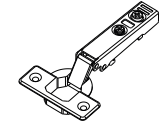
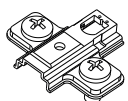
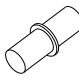
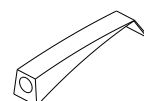
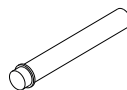
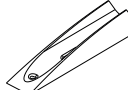

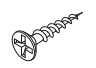
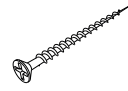
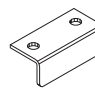
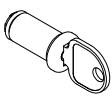
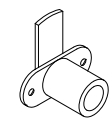

 Ø8 × 35						
A 30×	B 22×	C 22×	D 22×	E 5×	F 2×	G 4×
						 Ø3,5 × 16
H 6×	I 24×	J 3×	K 3×	L 3×	M 3×	N 24×
 Ø3,5 × 30						
O 3×	P 3×	Q 3×	R 3×	S 3×		

1

350×1125
2x

3

347×1799
1x

4

347×1836
1x

5

1107×1799
1x

2

326×593
4x

6

619×1141
2x

7

591×1141
1x

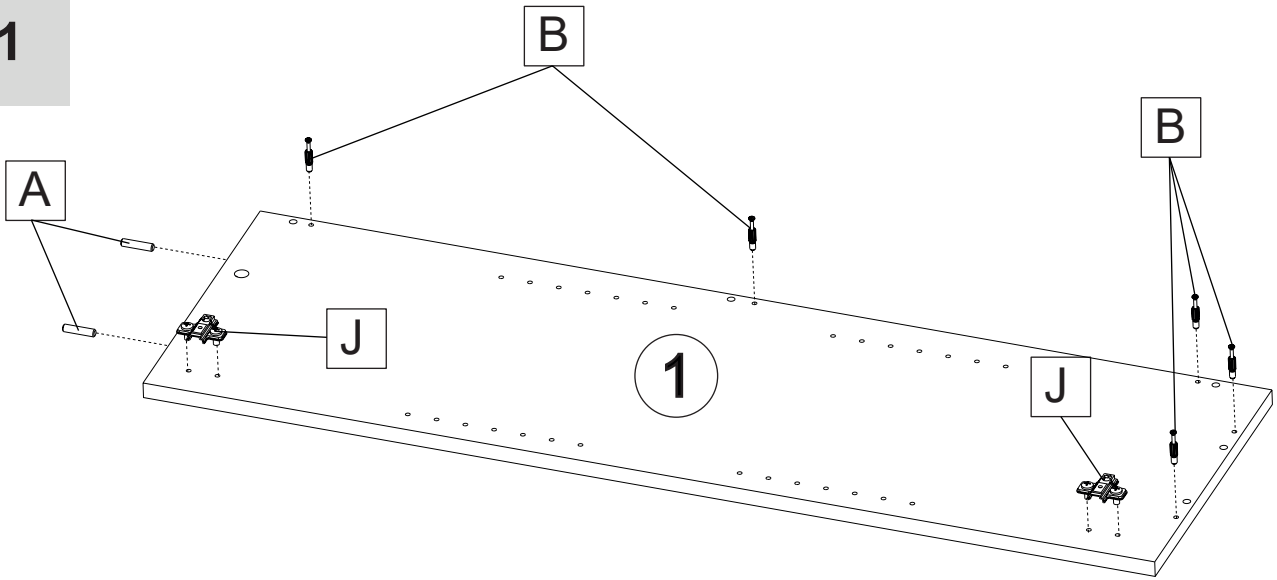
8

328×1107
2x

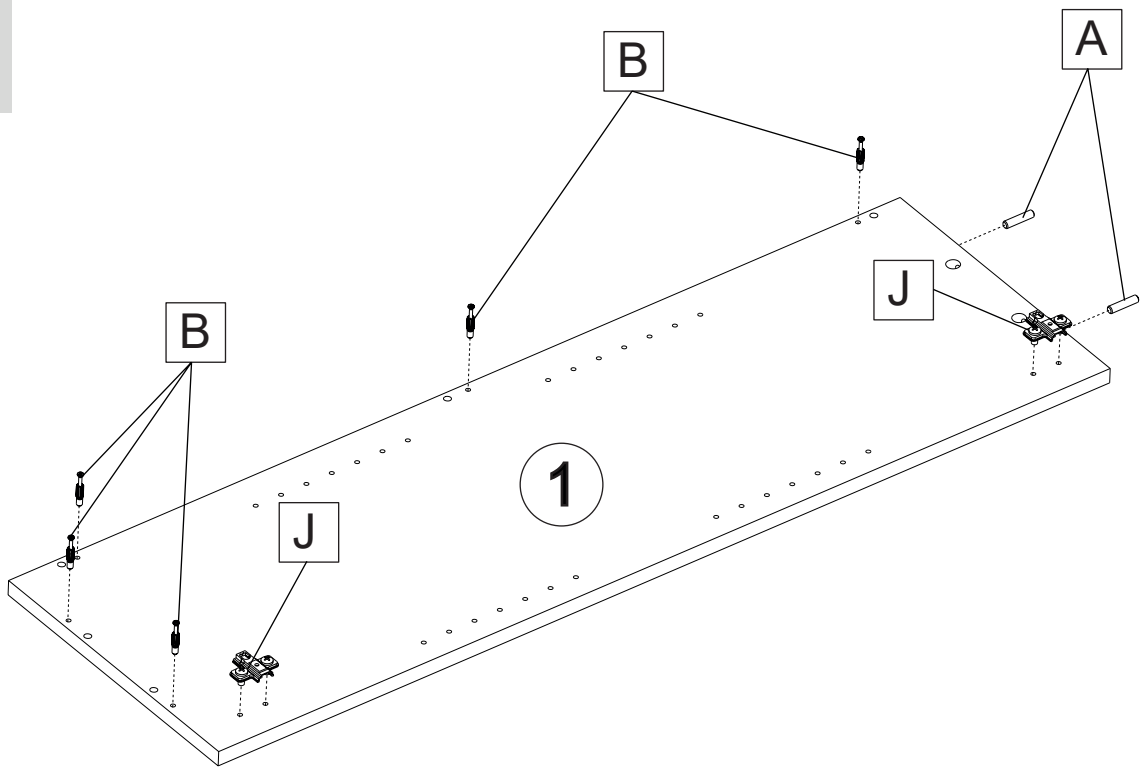
9

326×575
2x

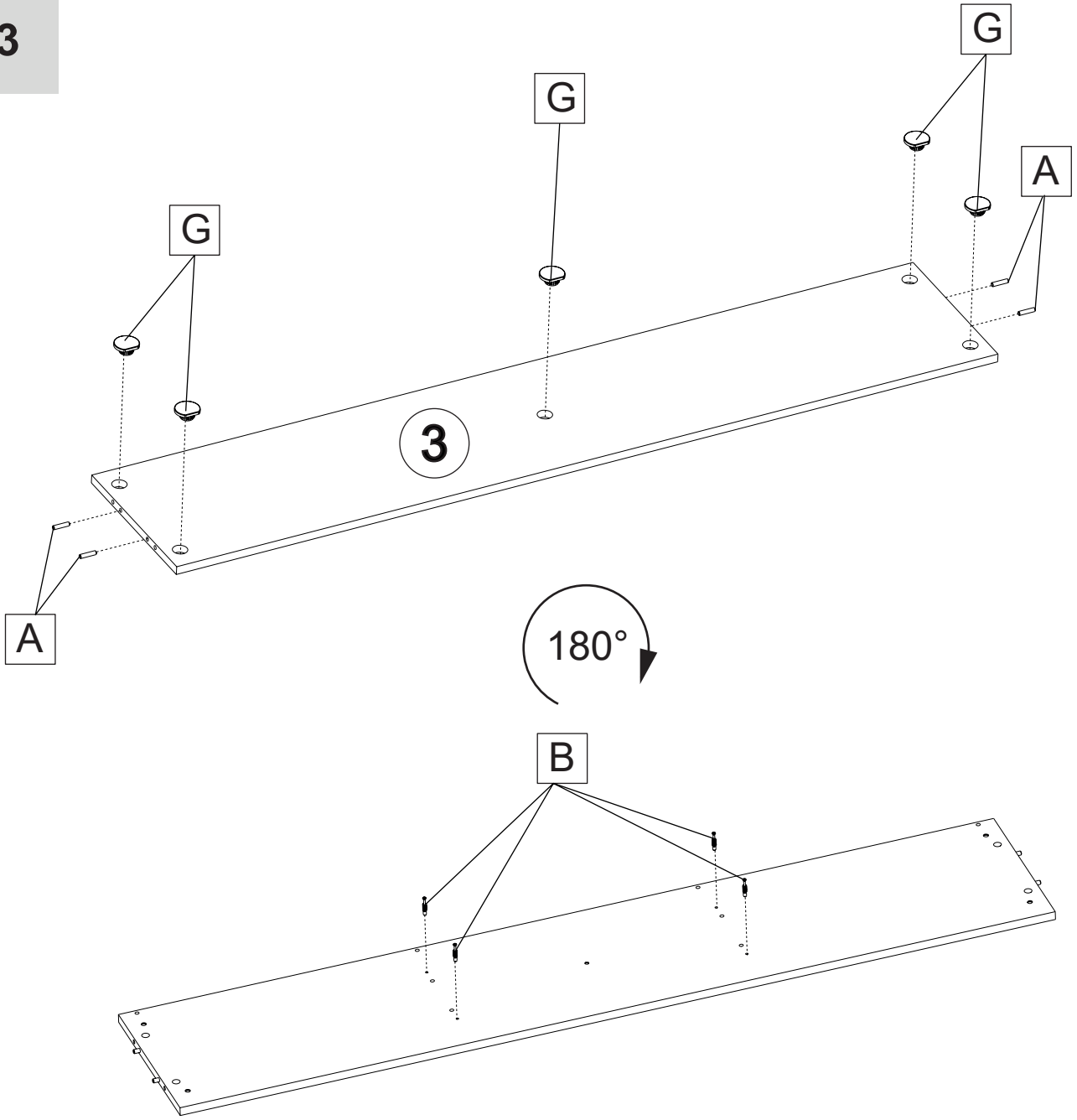
1



2



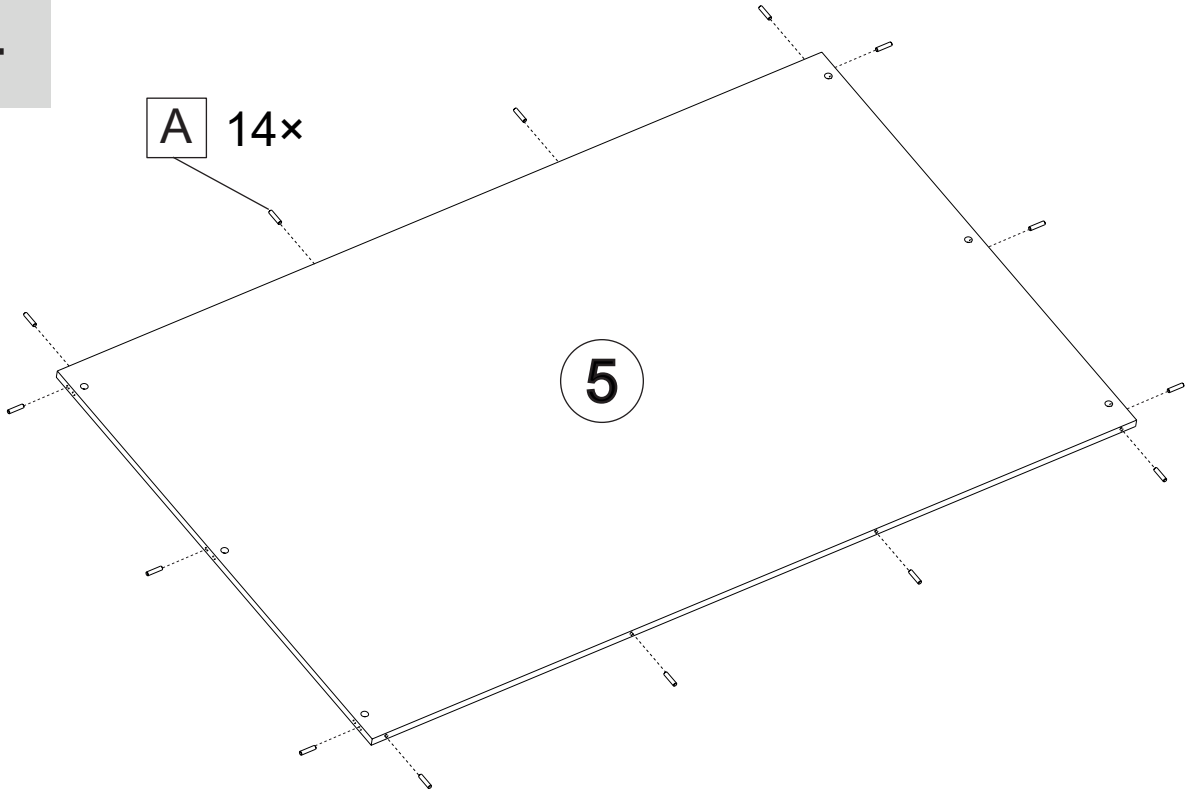
3



4

A 14x

5



5

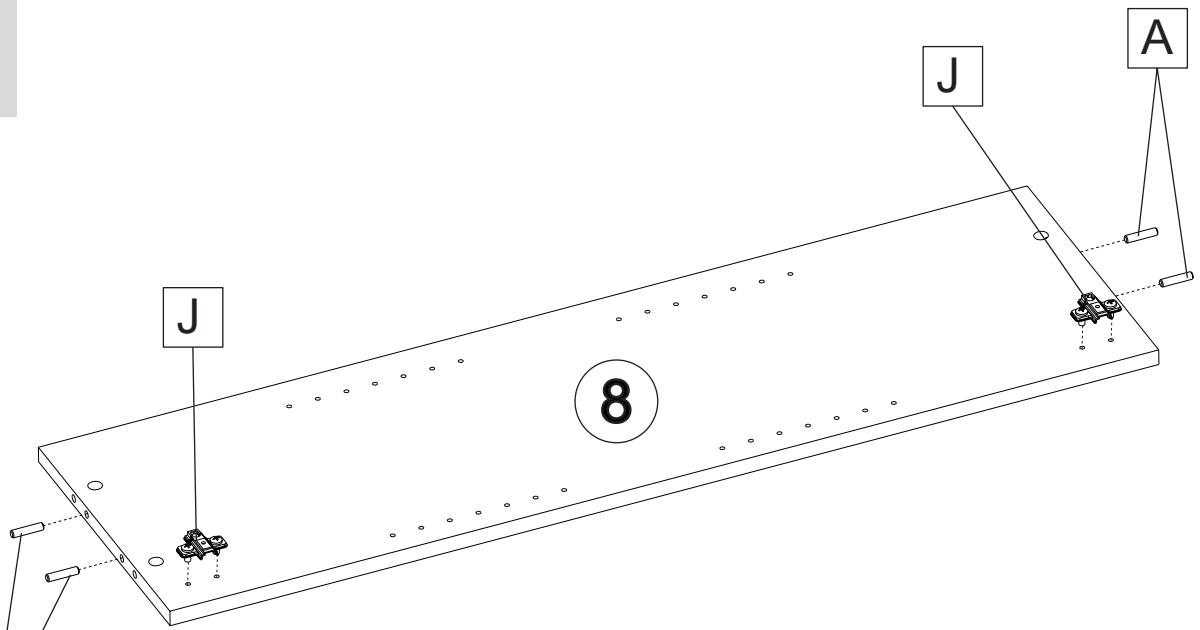
J

J

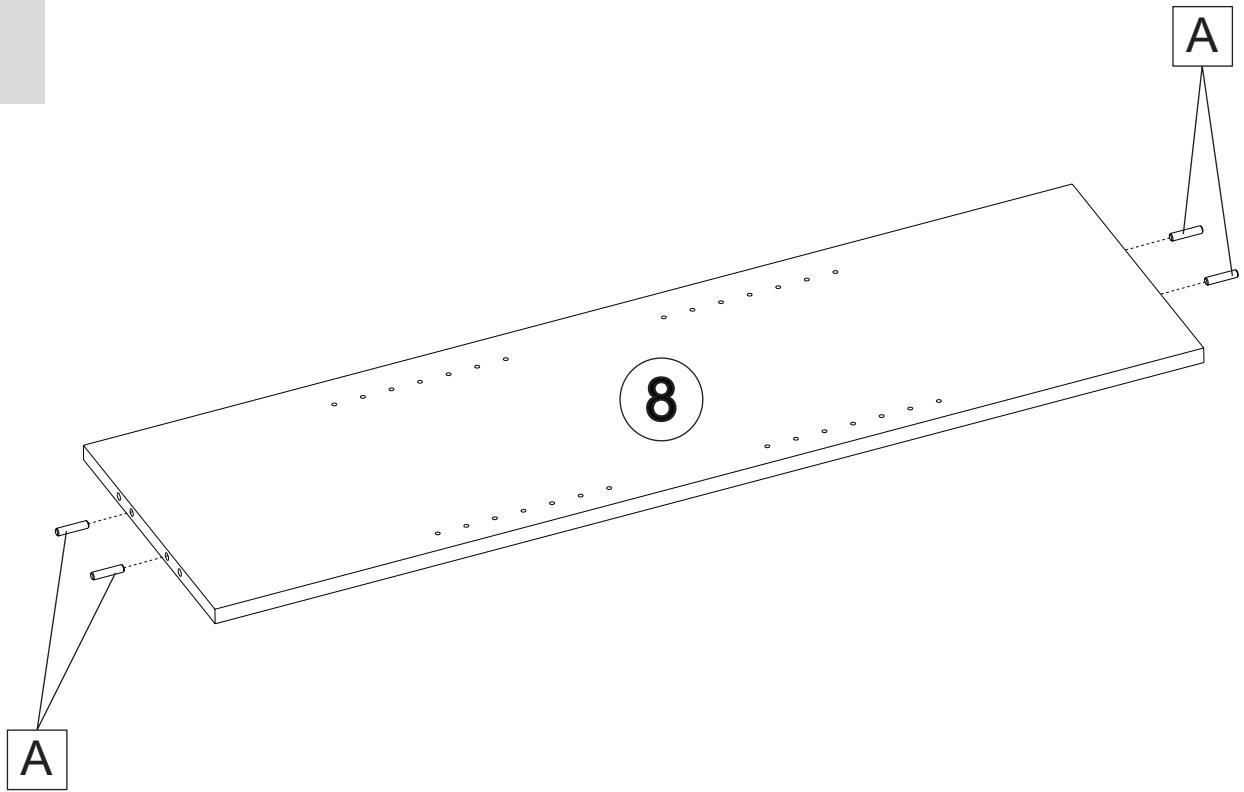
A

8

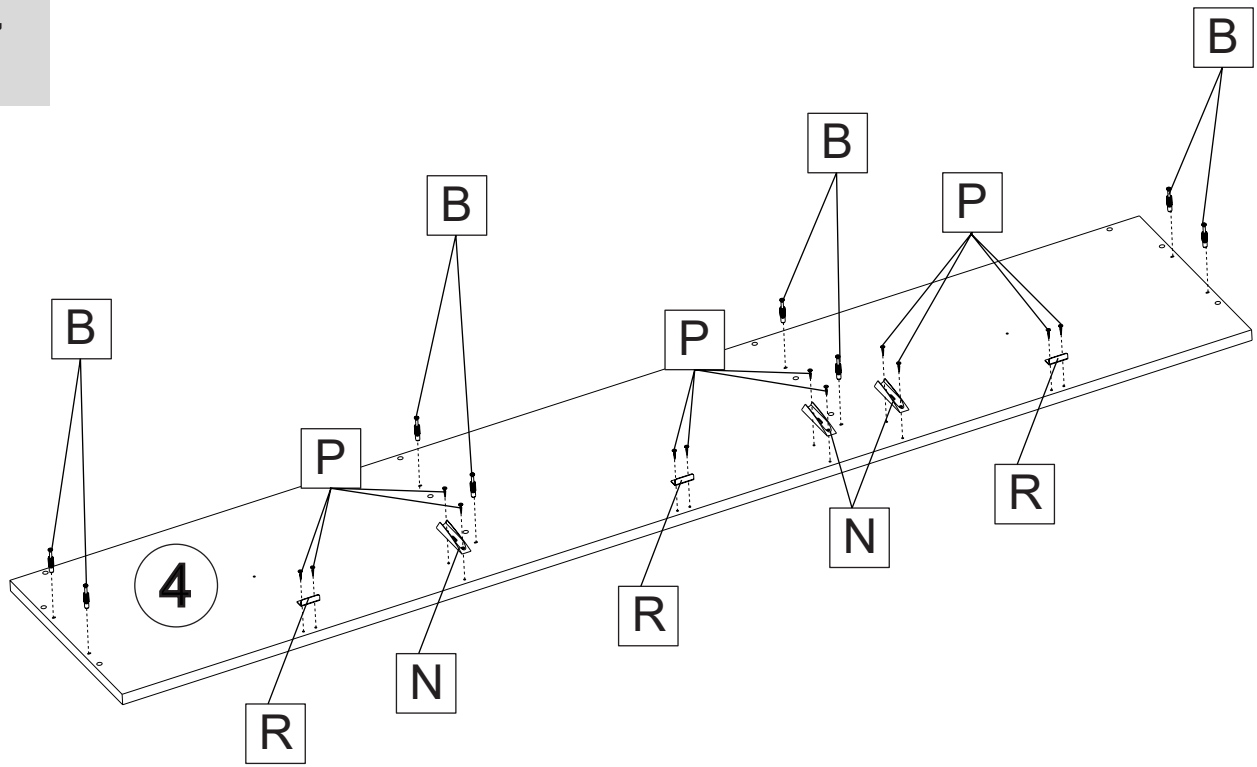
A



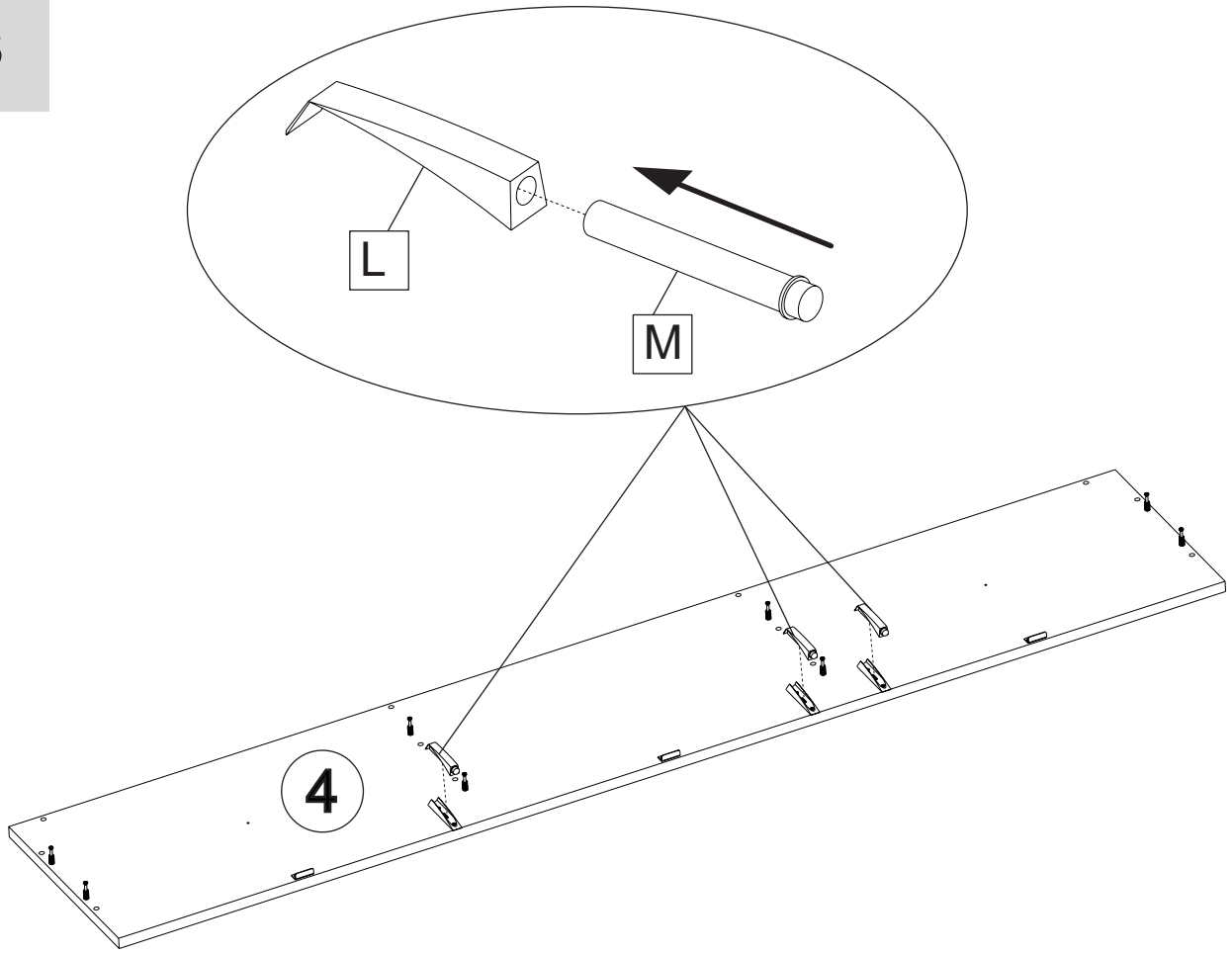
6



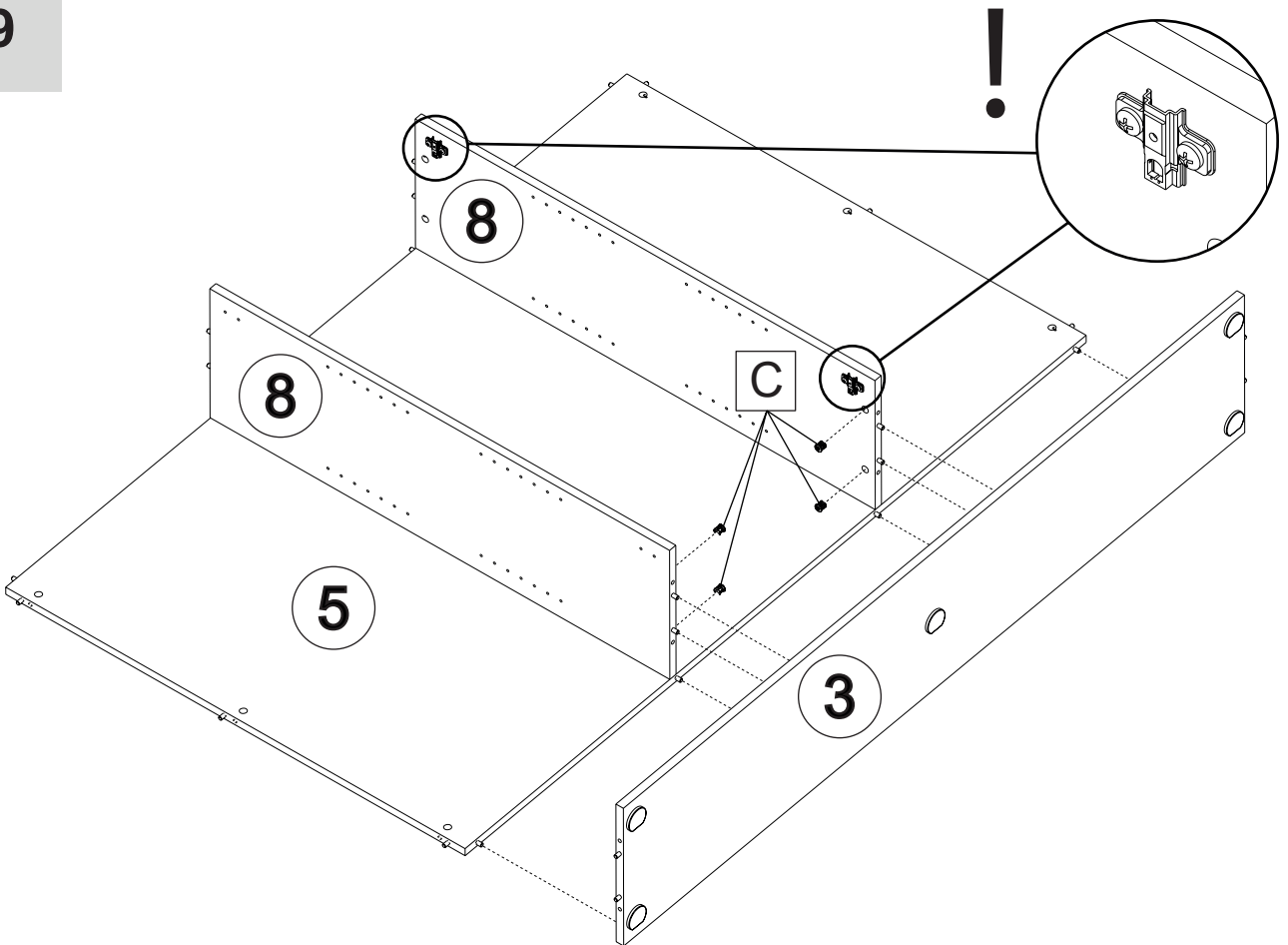
7

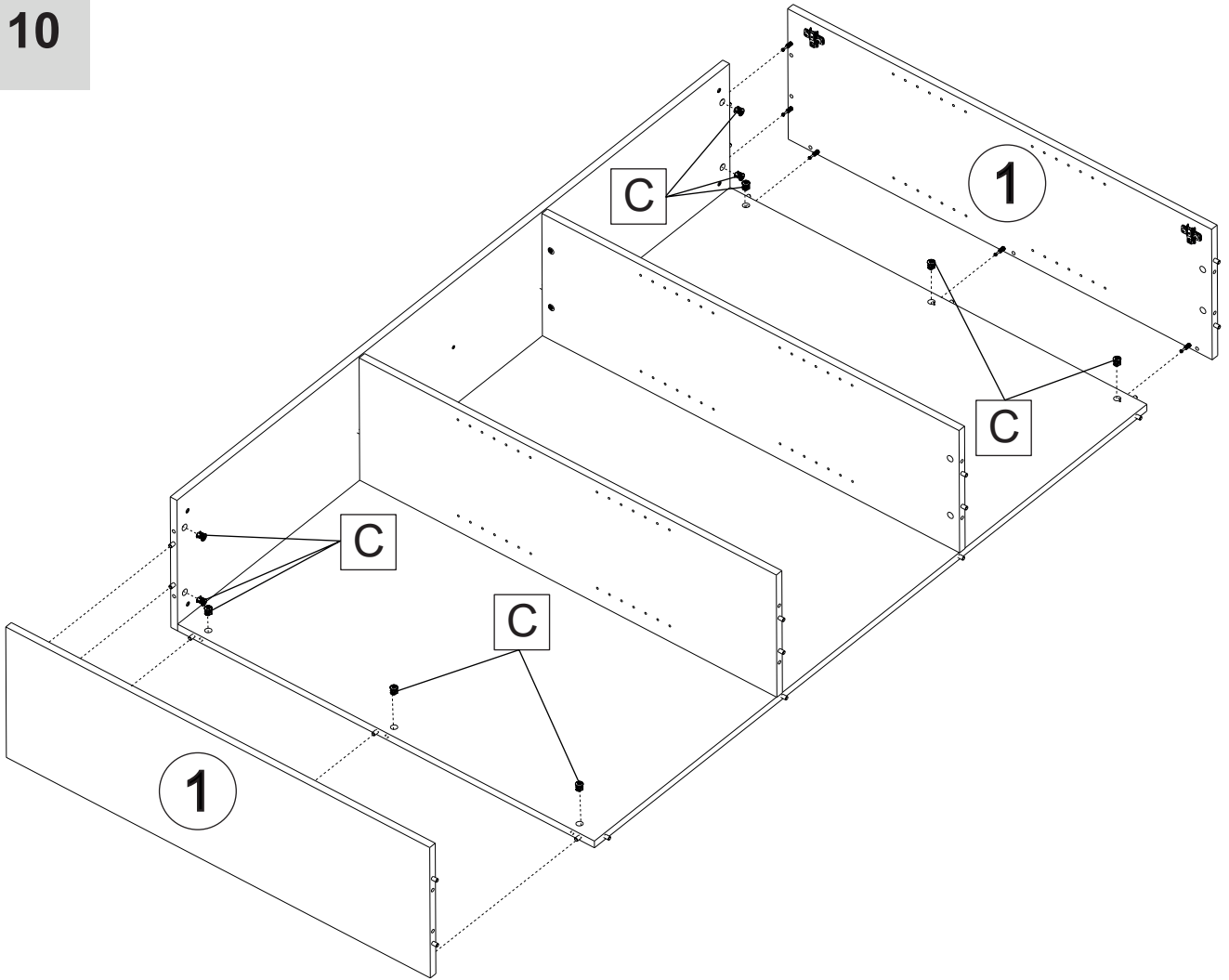


8

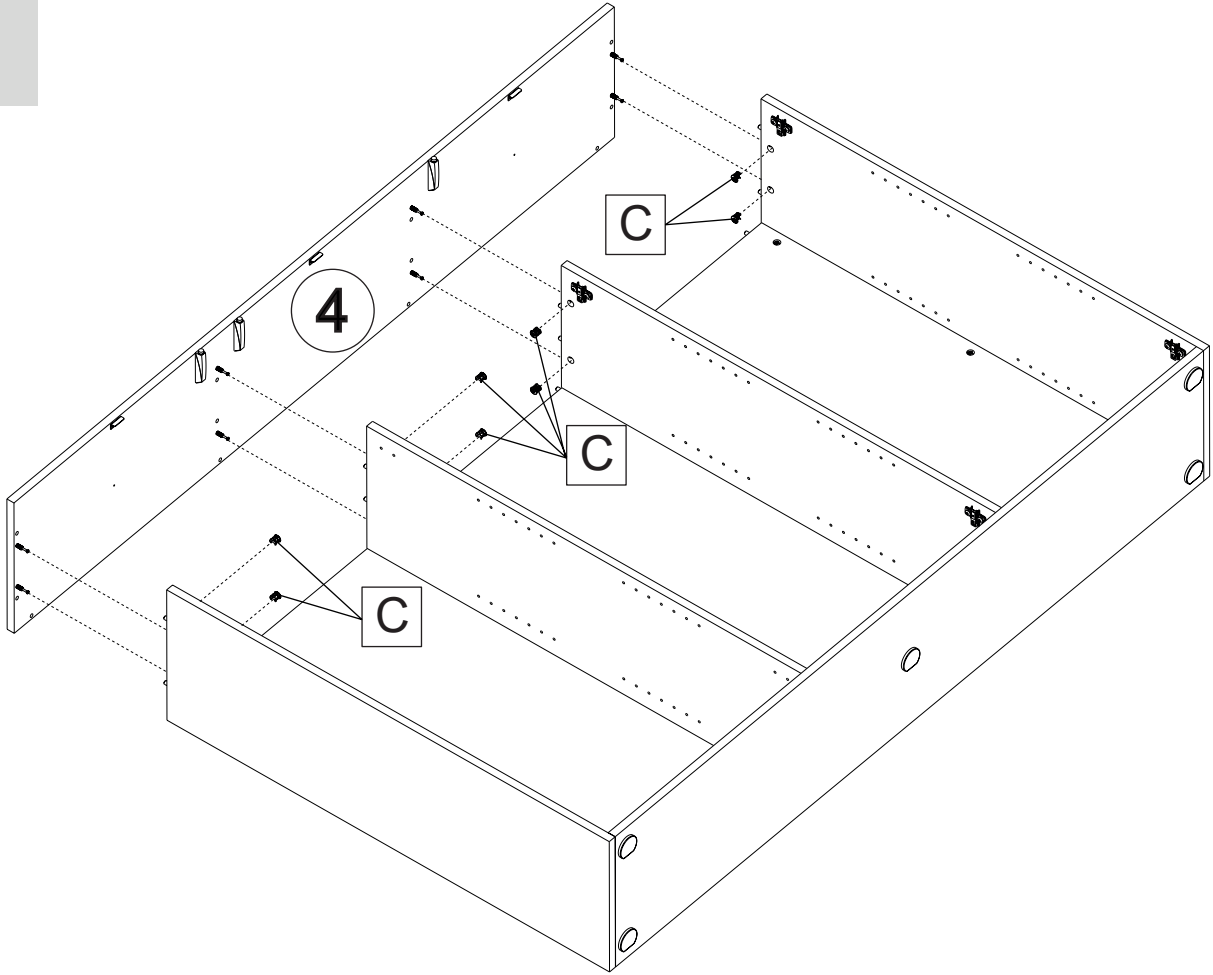


9

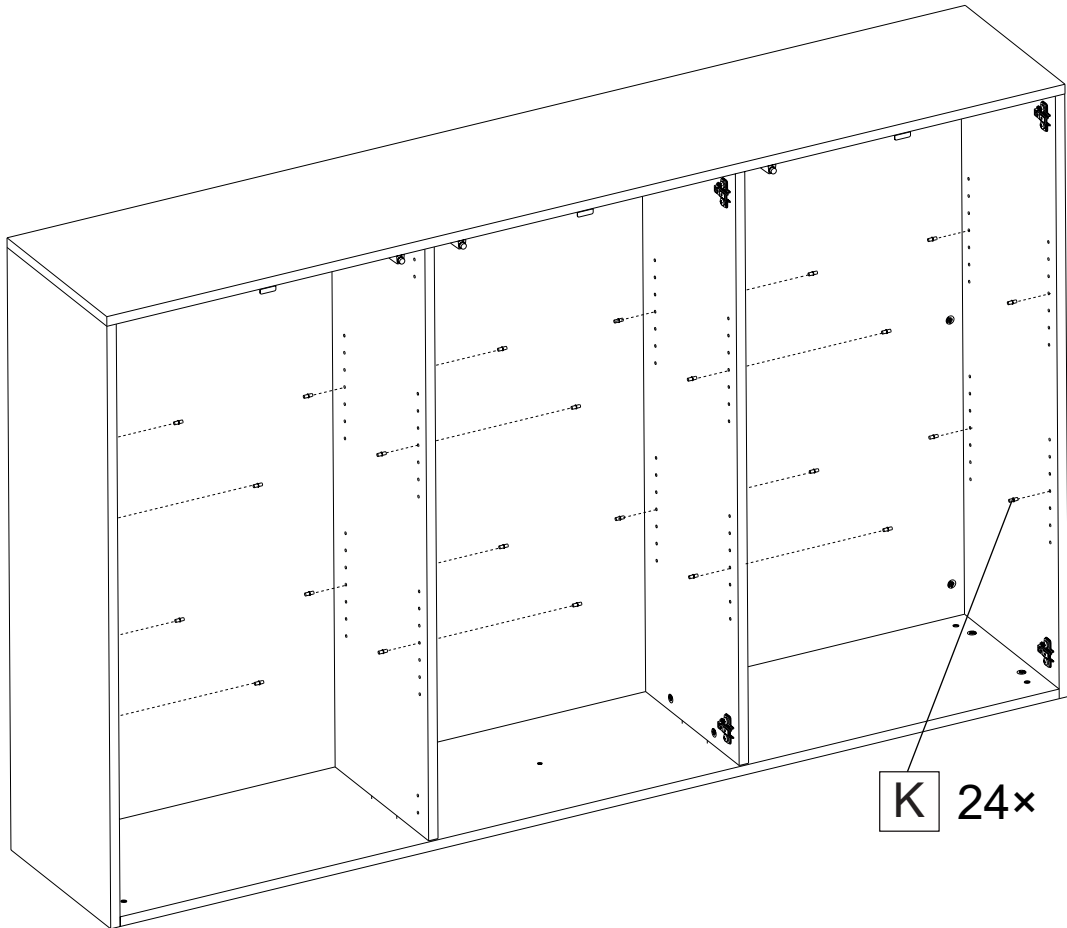




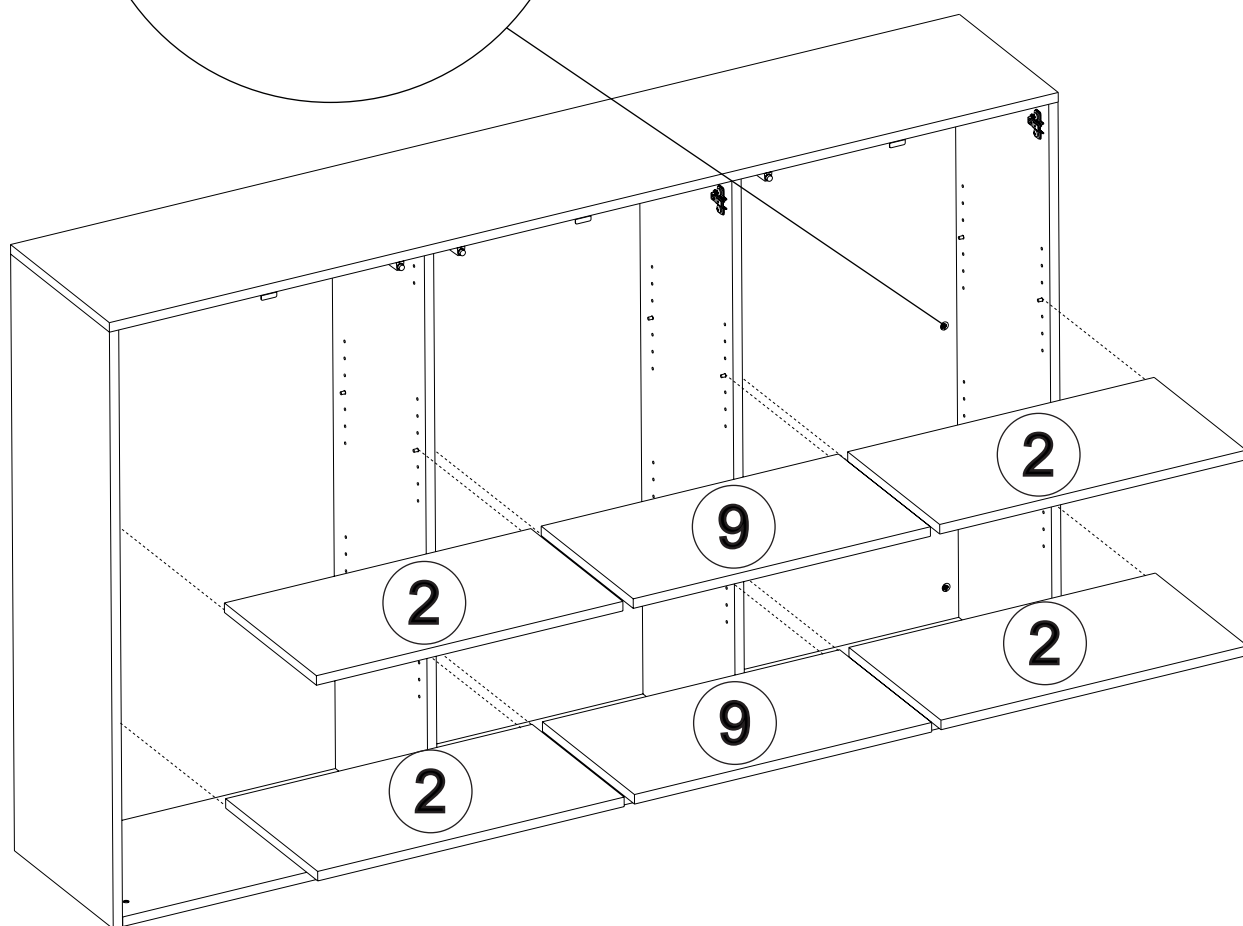
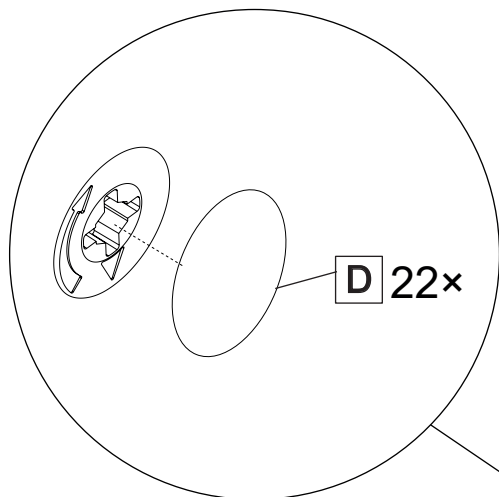
11



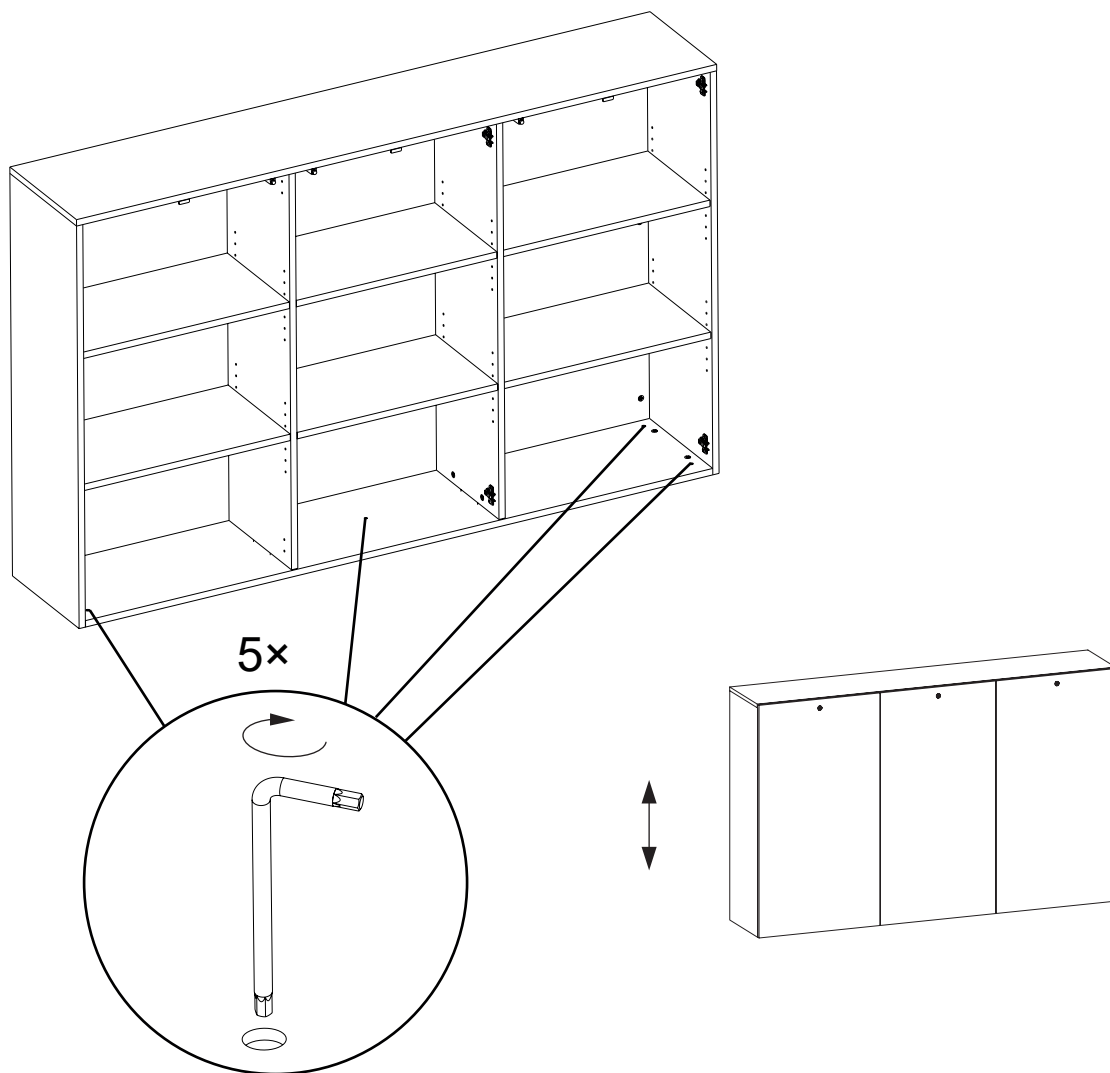
12



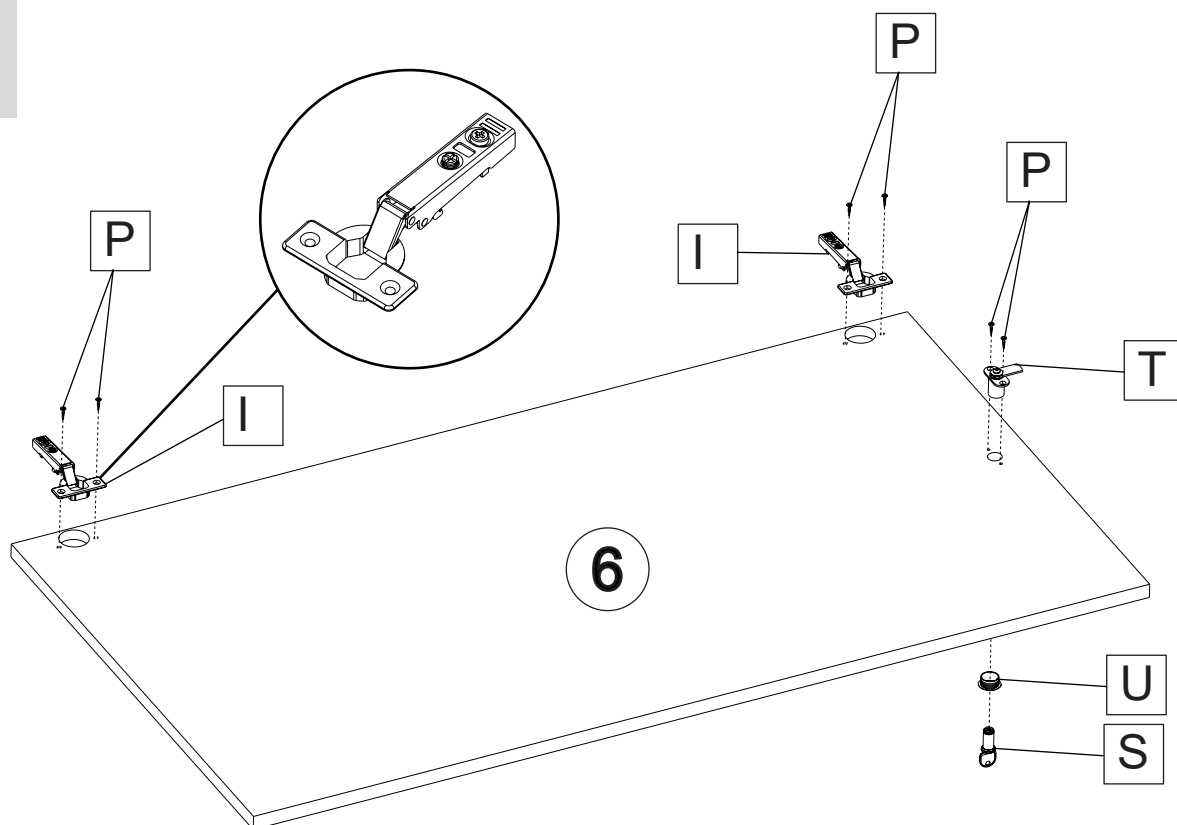
13



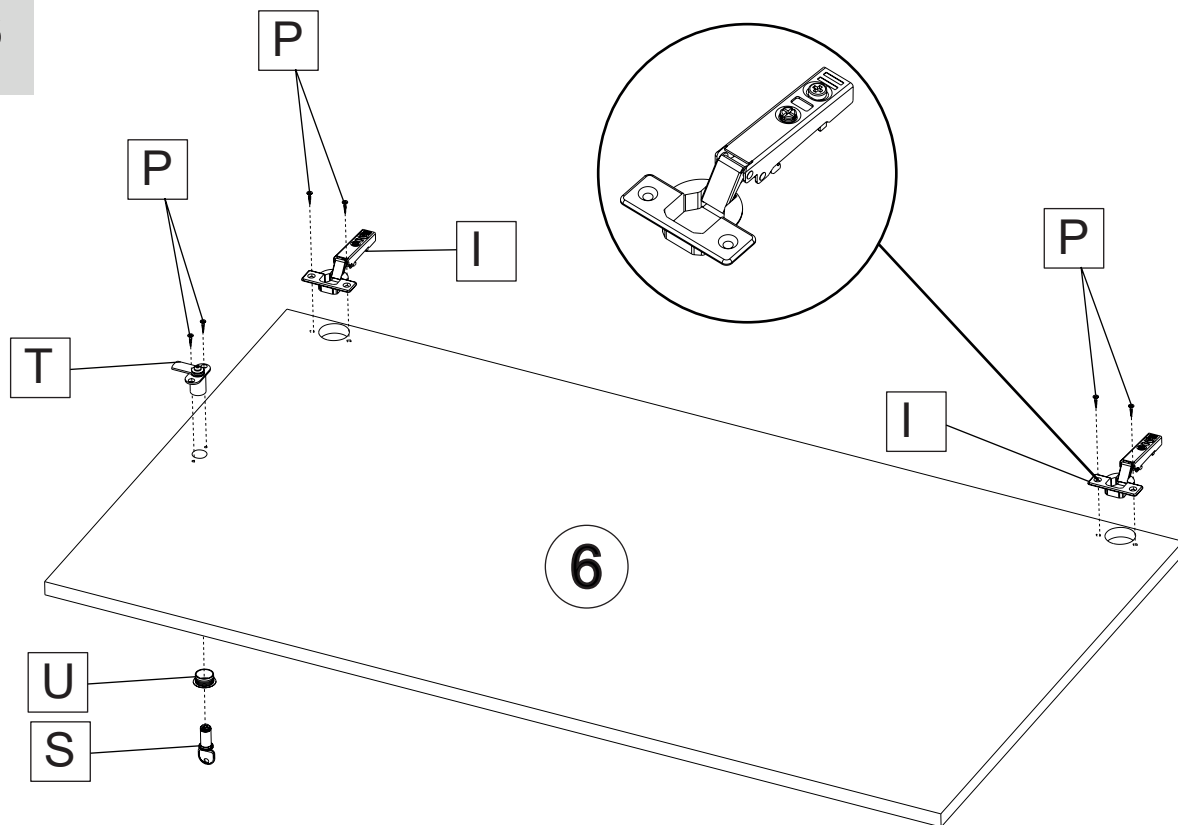
14



15



16



17

