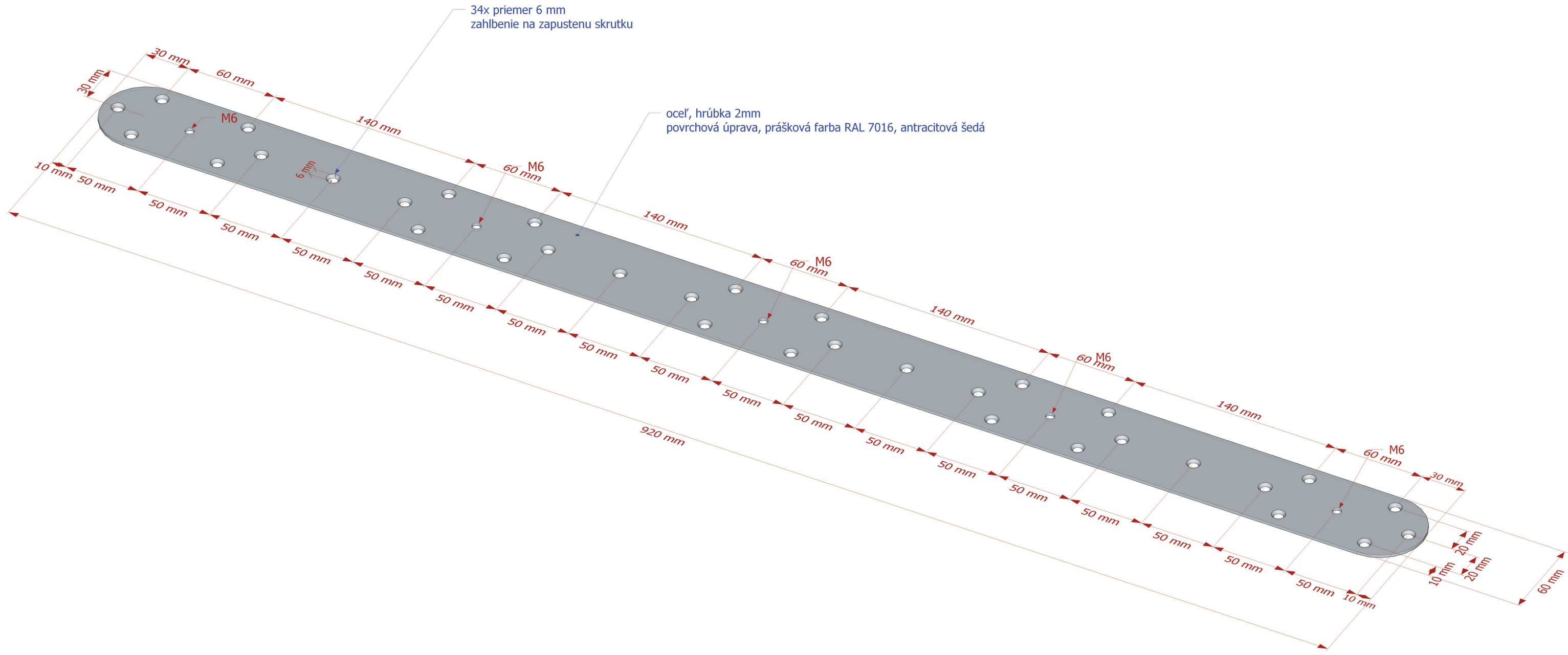
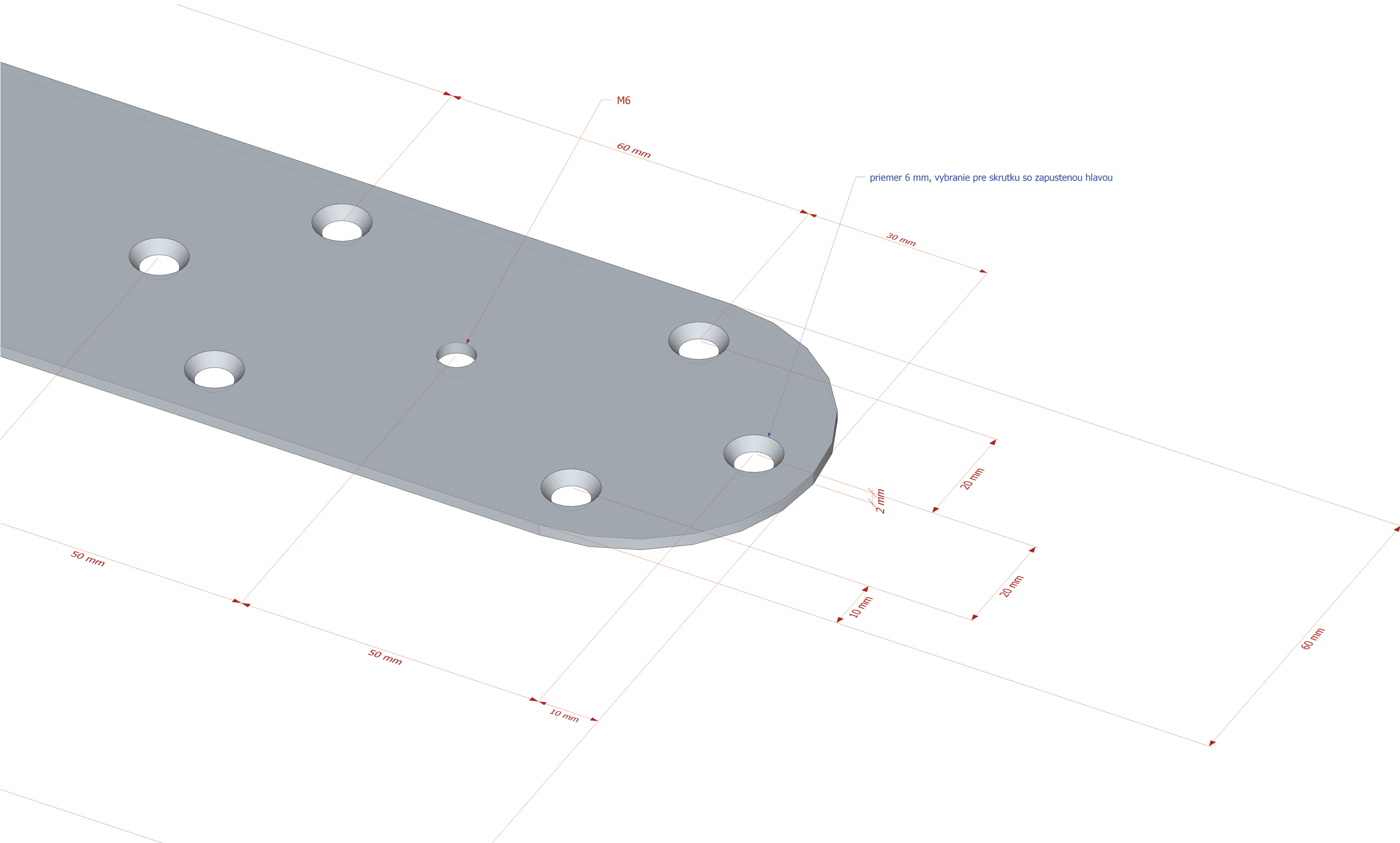


2 mm





M6

60 mm

priemer 6 mm, vybranie pre skrutku so zapustenou hlavou

30 mm

20 mm

2 mm

20 mm

10 mm

60 mm

50 mm

50 mm

10 mm

