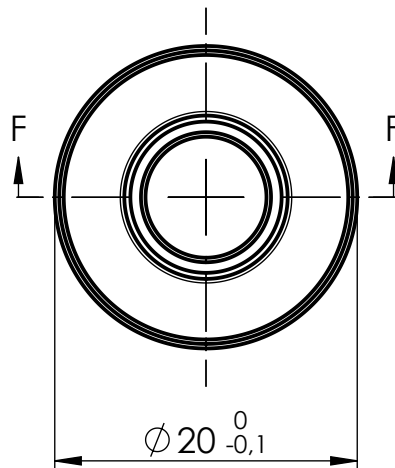
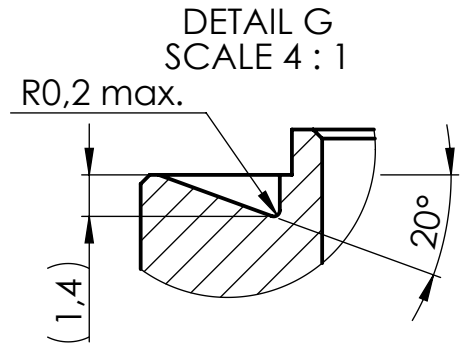
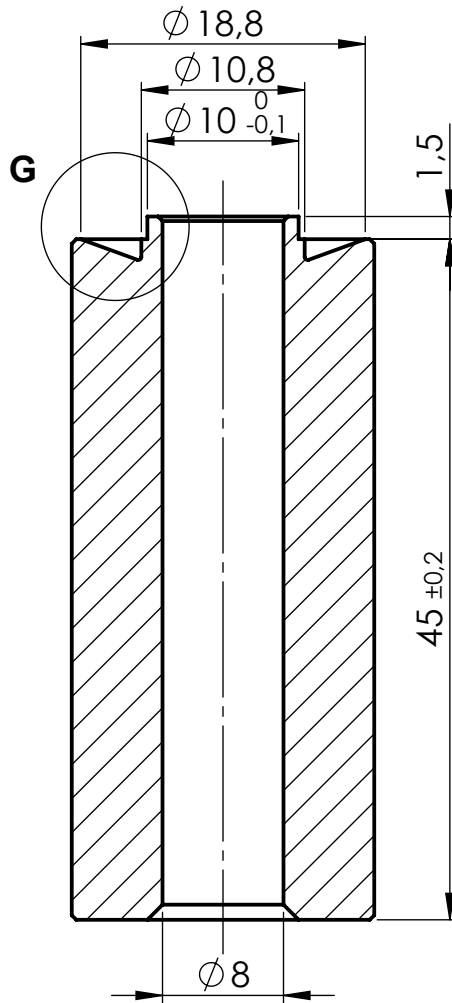
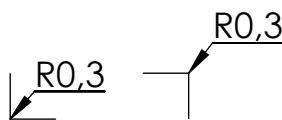
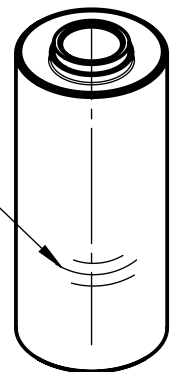


**SECTION F-F**



Satin direction  
K320



Dim. range	0,5 - 6,0	6,0 - 30,0	30,0 - 120,0	120,0 - 400,0
Tolerance	± 0,1	± 0,2	± 0,3	± 0,5

Untolerated dimensions: ISO 2768 - mK

Quality: AISI 304

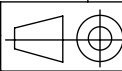
Drew: Ing. Maťaš

Controlled:

Date: 09.10.2019

Name:

**DISTANC**



Scale:

**2:1**



Weight (g): 0.09

Project:

**A6/005-4-DISTANC A4**

Number of sheets: 1

Sheet: 1

Model: A6\_005-4-Distanc

Drawing: A6\_005-4-Distanc