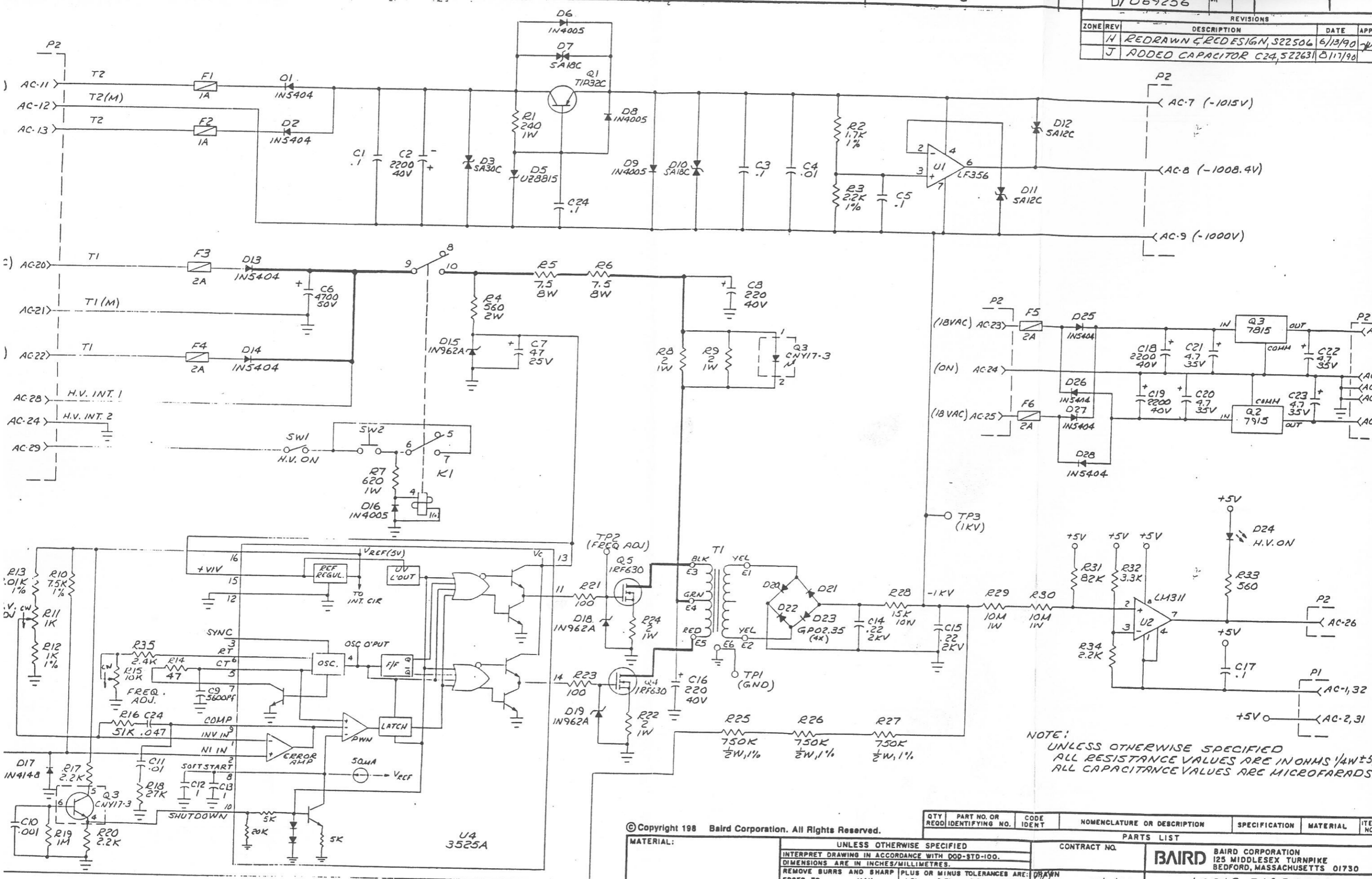


DWB NO. D/069256		REV. 1	
REVISIONS			
ZONE	REV	DESCRIPTION	DATE
	H	REDRAWN & REDESIGN, S22506	6/13/90
	J	ADDED CAPACITOR C24, S22631	8/17/90



NOTE:
UNLESS OTHERWISE SPECIFIED
ALL RESISTANCE VALUES ARE IN OHMS / $\frac{1}{2}$ W, 1%;
ALL CAPACITANCE VALUES ARE MICROFARADS.

© Copyright 198 Baird Corporation. All Rights Reserved.

MATERIAL:		UNLESS OTHERWISE SPECIFIED		CONTRACT NO.	
INTERPRET DRAWING IN ACCORDANCE WITH DOD-STD-100.		DIMENSIONS ARE IN INCHES/MILLIMETRES.		BAIRD CORPORATION 125 MIDDLESEX TURNPIKE BEDFORD, MASSACHUSETTS 01730	
REMOVE BURRS AND SHARP EDGES TO . MAX RADIUS/CHAMFER		PLUS OR MINUS TOLERANCES ARE: 1 PL 2 PL 3 PL ANGLES		DRAWN 2/7/90	
PROTECTIVE FINISH:		INSIDE CORNER DEVIATION TO . MAX RADIUS.		CHECKED	
THIRD		SURFACE TEXTURE IN ACCORDANCE WITH ANSI B46.1.		APPROVED	
DIMENSIONAL LIMITS AND SURFACE		APPROVED		SIZE PSCM NO. DWB NO. 069256	

RY NOTICE—This unpublished document contains trade secrets of Baird Corporation and is entrusted to the recipient on condition that the information contained herein shall be respected as trade secrets of Baird Corporation and shall be used by the recipient only for the purposes for which it was furnished. The recipient shall not copy this document and shall not, directly or indirectly, disclose any part of its contents to any other person, firm, or entity without prior authorization from an Officer of Baird Corporation. It is not permitted to use this document or any part of its contents in any fashion or manner detrimental to Baird Corporation. This document and all rights therein shall be returned to Baird Corporation upon completion of the project.

84069256	MC20		
NEXT ASSY	REQD	USED ON	REQD