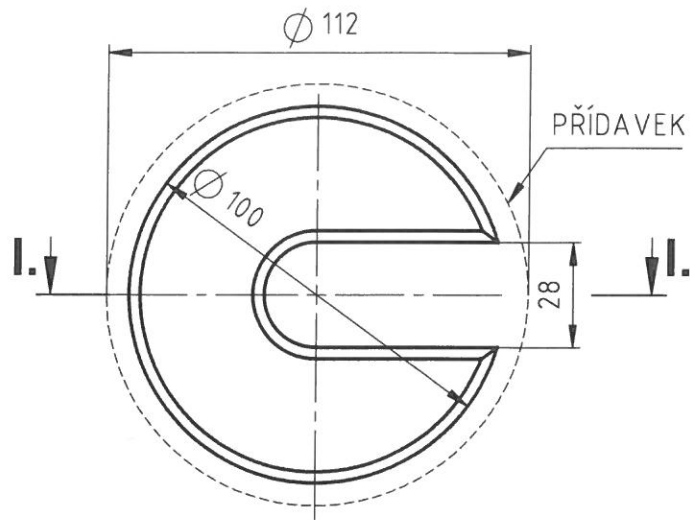
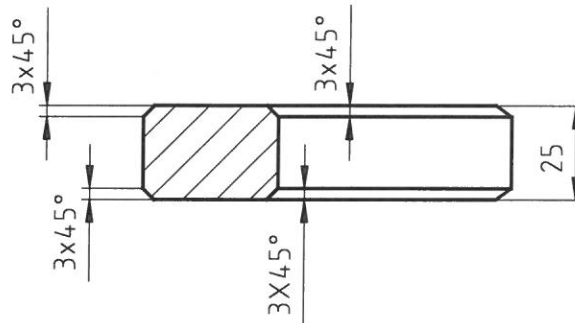


25/ (✓)



I-I
(1:2)



90ks

EN ISO 2768-cL

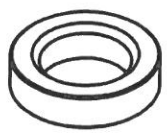
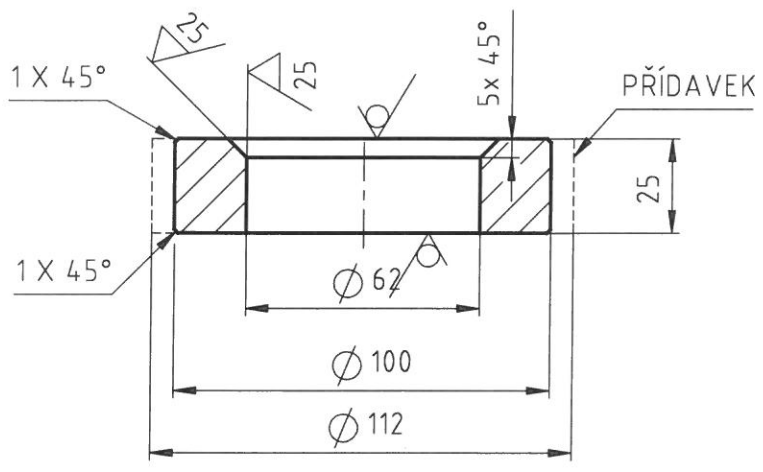
1	P25-D112	EN10028-7	1.4404	EN10204-3.1	1.2			1	
Pcs.	Name-Dimension	Semi-product	Final material	Mat.certificate	Nett weight	Gross weight	Drwg.No.	POS	
NOTE:					TOTAL NET WEIGHT/kg	1.2	ASS.DRWG	VYK1C028027	45

SCALE	1:1							
REVISION	DATE	DESCRIPTION	DRAWN BY	CHECKED BY	APPROVED BY			
0	28.5.2020	FIRST ISSUE	Ing.Binda	Vraštil	Ing.Schloger			

<p>ZVU STROJÍRNY HRADEC KRÁLOVÉ</p>	NAME	REA-161/2/3/4/5/6/7/8/9 & 170	DRAWING NUMBER	VYK1C028140	REVISION	0
	SUPPORT OBJÍMKA		SHEET:1	SHEETS:1		

3D-SolidWorks

25/ (✓)



30ks

EN ISO 2768-cL

1	P25-D112/62	EN10028-7	1.4404	EN10204-2.2	0.9			1
Pcs.	Name-Dimension	Semi-product	Final material	Mat.certificate	Nett weight	Gross weight	Drwg.No.	POS

NOTE: TOTAL NET WEIGHT/kg 0.9 ASS DRWG VYK1C028027 46

SCALE	1:2						
REVISION	DATE	DESCRIPTION	DRAWN BY	CHECKED BY	APPROVED BY		
0	28.5.2020	FIRST ISSUE	Ing.Binda	Vraštil	Ing.Schloger		

<p>ZVU STROJIRNY HRADEC KRÁLOVÉ</p>	NAME	SUPPORT OBJÍMKA 2	DRAWING NUMBER	VYK1C028141	REVISION	0
			SHEET:1	SHEETS:1		