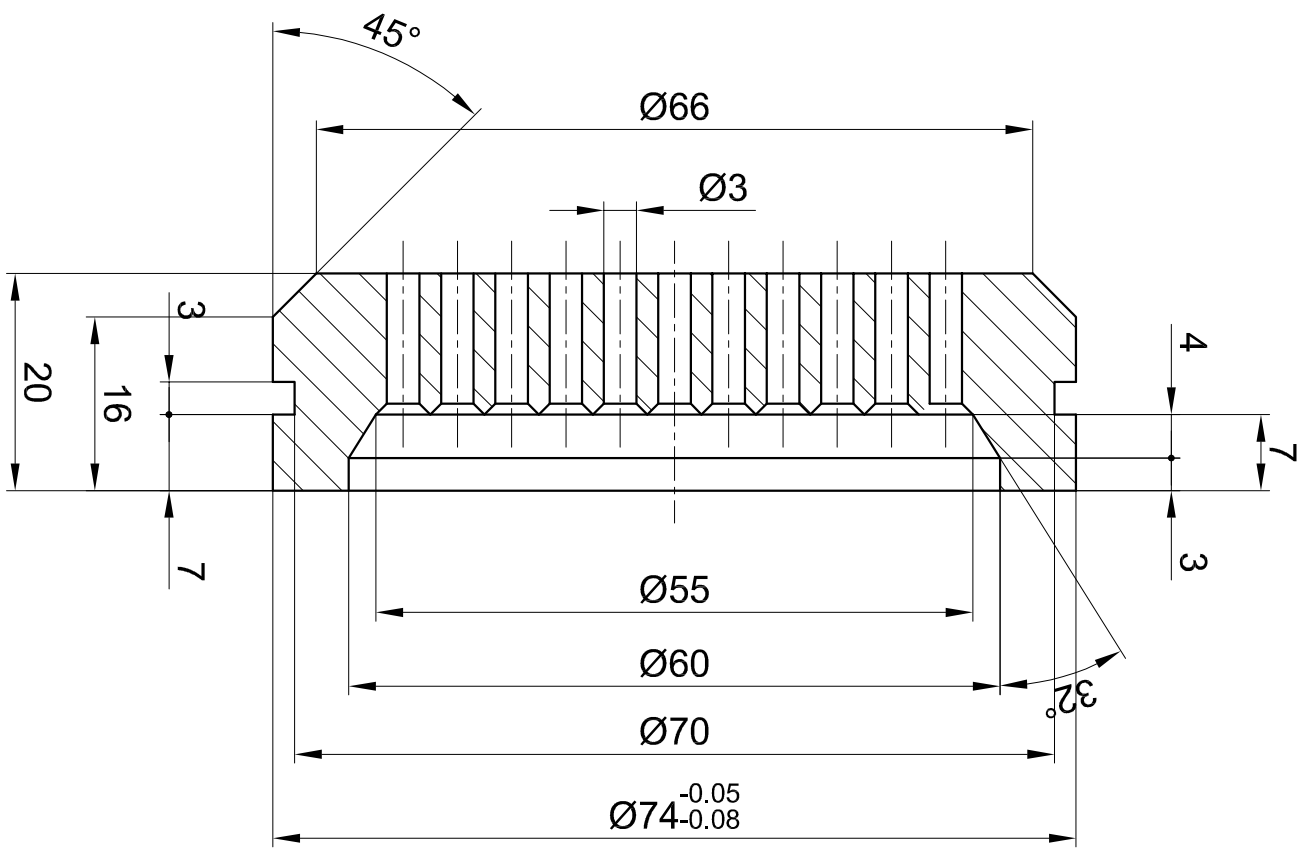
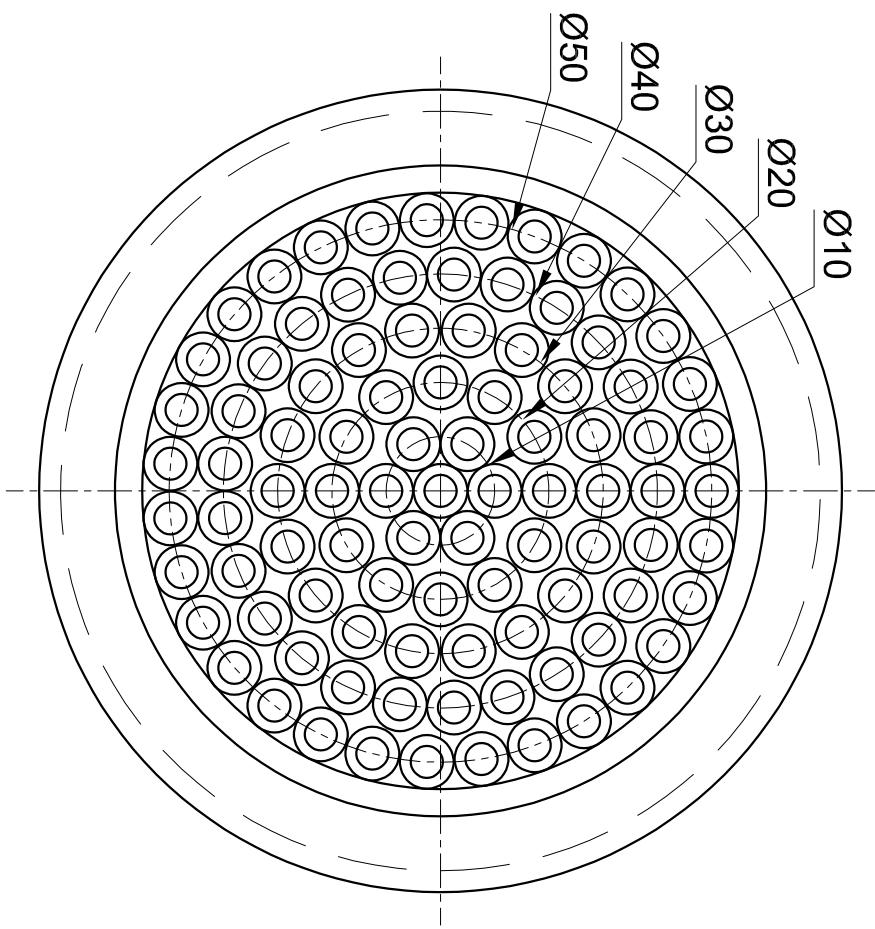


EXTRUDER E-60/24D BRAKER PLATE DRAWING



Center Dimension	Number of Hole
Ø10 mm	6 pcs
Ø20 mm	12 pcs
Ø30 mm	18 pcs
Ø40 mm	25 pcs
Ø50 mm	31 pcs

ISO Form: SRÇ-09/F-08	İSİM / Name	TARİH / Date	İMZA / Sign.
ÇİZEN / Designer:	Abdullah USLU	10.08.2022	
ONAY / Confirm by:	Kamil İNCE		
ÖLÇEK / Scale			

ROFFESEN PLASTICS / SLOVAKIA
EXTRUDER E-60/24D (22012.1)

KARMAK
Mühendislik ve Makina
RESİM NO / Drawing nr.
F1179.11/E-60