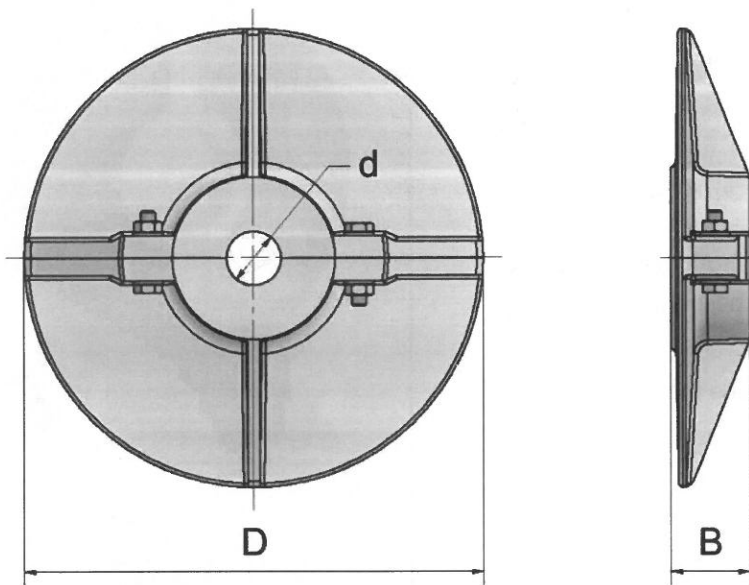


Technical Datasheet

Cooling Discs

- * Split version, thus simple, fast installation
- * High thermal conductivity through material Al 235 (G Al Si 5 Mg)
- * Optimal heat transfer at shaft fit k6



Typ	D [mm]	D _{min} [mm]	d _{min} [mm]	d _{max} [mm]	B _{standard} [mm]	B _{turned} [mm]	N _{max} [mm]	mass [kg]
K 150	150	106	12	50	30	23	8.900	0,7
K 200	200	106	20	50	30	23	6.700	1,1
K 250	250	150	30	70	34	29	5.350	1,9
K 315	315	180	40	95	54	39	4.250	3,8
K 400	400	340	55	125	68	45	3.350	86
K 400 SO	400	375	120	155	68	45	3.350	8,9
K 500	500	380	80	165	68	48	2.700	11,7
K 630	630	500	100	200	78	52	2.100	19,2