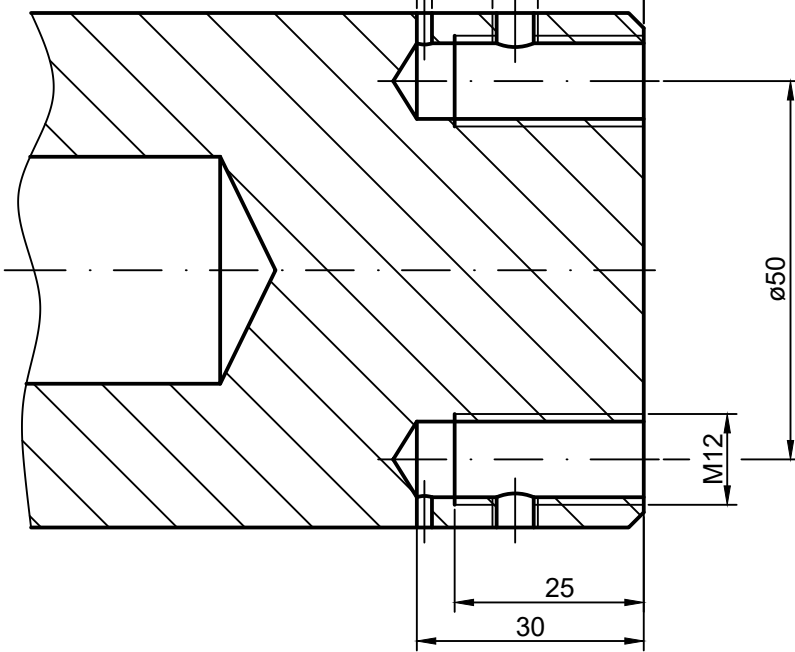
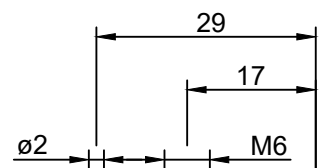


B-B 1:1



Oberflächen DIN/ISO 1302								
~	N10	N8	N6					
∇	Ra20	Ra4	Ra0.8					
	∇ Rz100	∇ Rz25	∇ Rz6.3					
Freimaßtoleranzen nach DIN 7168-mittel								
ueber	6	30	120	400	1000	2000		
bis	6	30	120	400	1000	2000	4000	
	±0.1	±0.2	±0.3	±0.5	±0.8	±1.2	±2	
☉	Datum	Name	Maßstab	Gewicht	Passung			
Bearb.	26.02.2020	V AI L	1:2		Nenn-			
Geprüft					abmaß			
				Werkstoff		Abmessung		
				E-Cu		Ø120 x 366		
				Benennung				
				Kontaktbolzen SDH				
				gekühlt				
				Ident-Nr.			Format Blatt 1	
				64.00591.V0			A3 von 1	
Ersatz fuer :								
Ersatz durch:								

The reproduction, distribution and utilization of this document as well as the communication of its contents to others without express authorization is prohibited. Offenders will be held liable for the payment of damages. All rights reserved in the event of a patent, utility model or design.