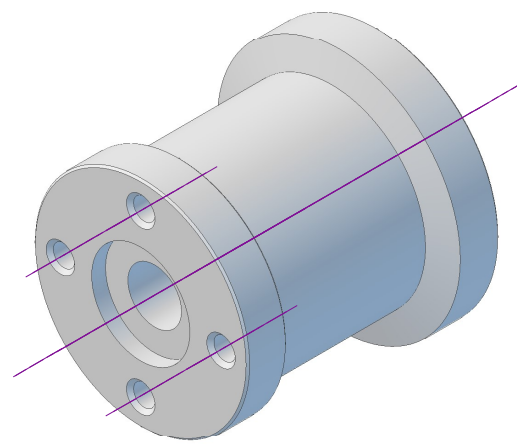
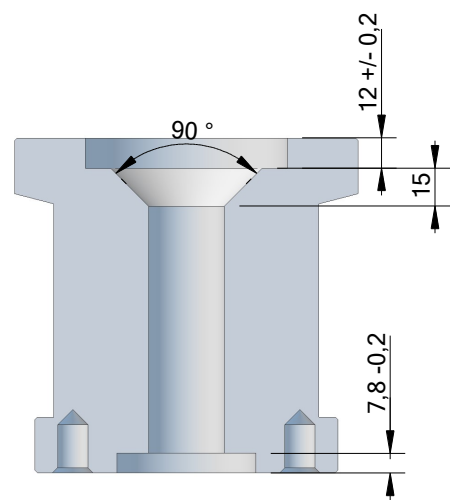
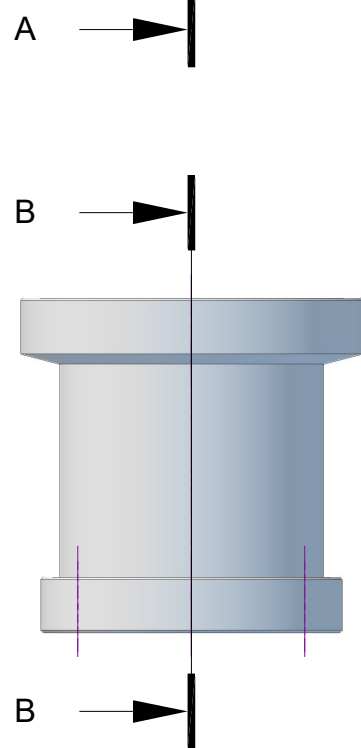
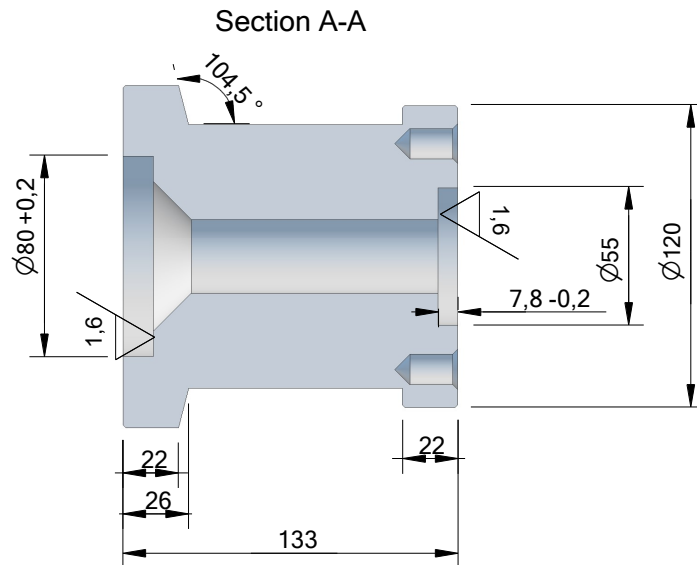
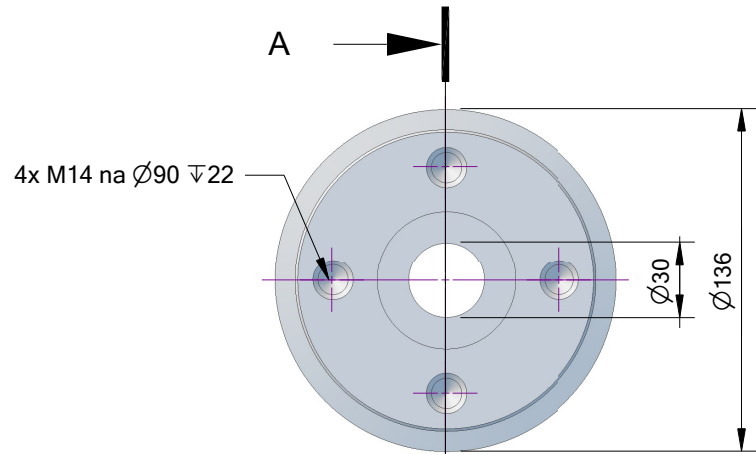


1 2 3 4 5 6

A
B
C
D

A
B
C
D



		Roffelsen PLASTICS	
Name Medzikus Ext.8		Material 11 312	
Treatment -----	Date 5.2.2021	Quantity 1x	Scale 1:3

1 2 3 4 5 6