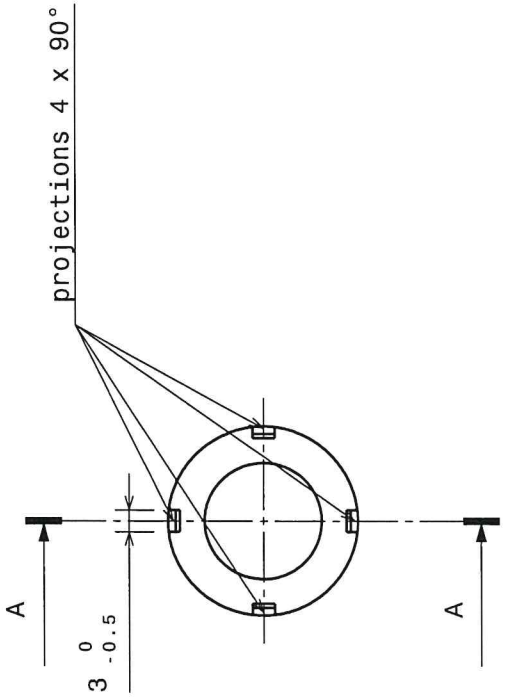


D C B A

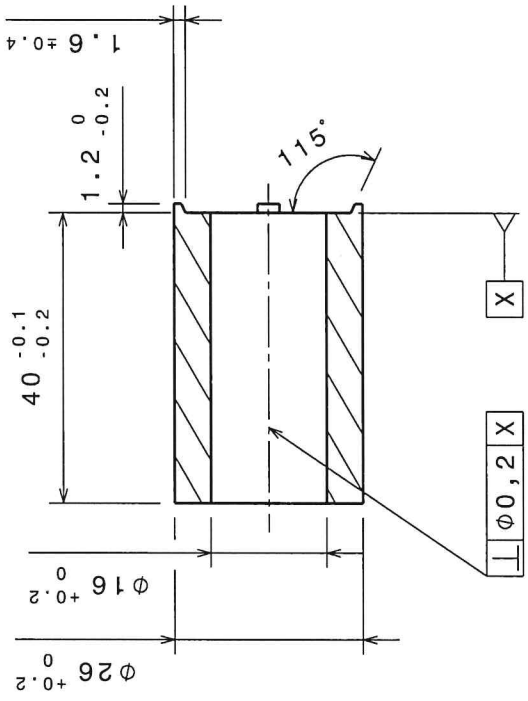
4

4



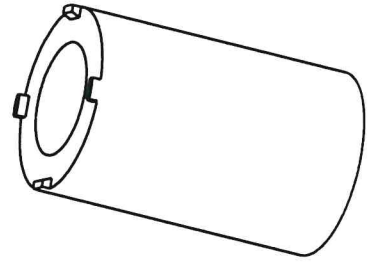
3

3



2

2



1

1

SCALE	DATE	SIGN	FORMAT:
1:1	09.04.2019		A4
	09.04.2019		PAGE
MATERIAL: SAE 1010 + STJLR.50.5044 Type A			FORMAT: A4
TITLE: SPACER			PAGE
DRAWING NO: L8B2-45044-A-PIA-02			

D

A