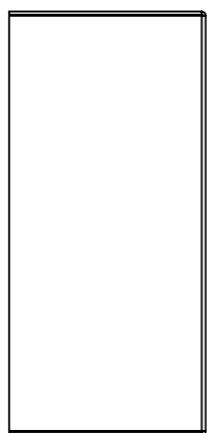
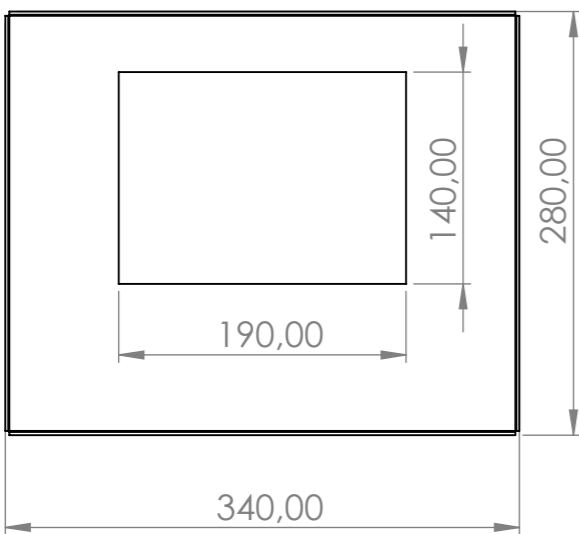


8 7 6 5 4 3 2 1

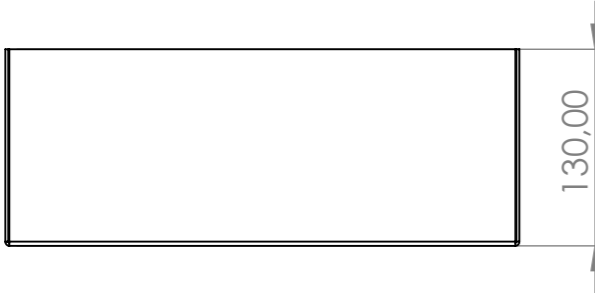
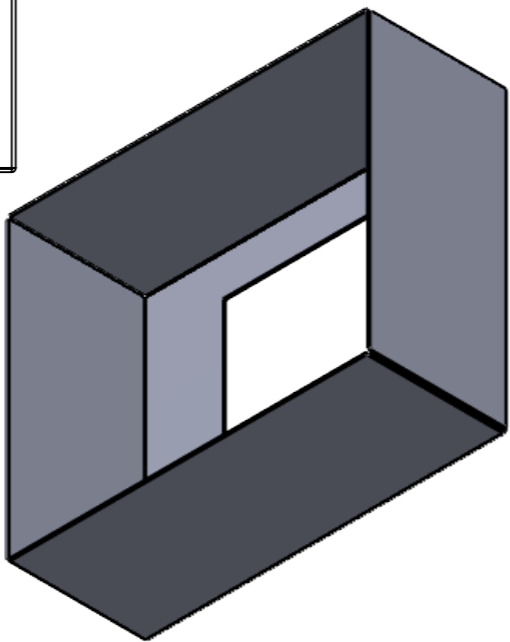
F

E

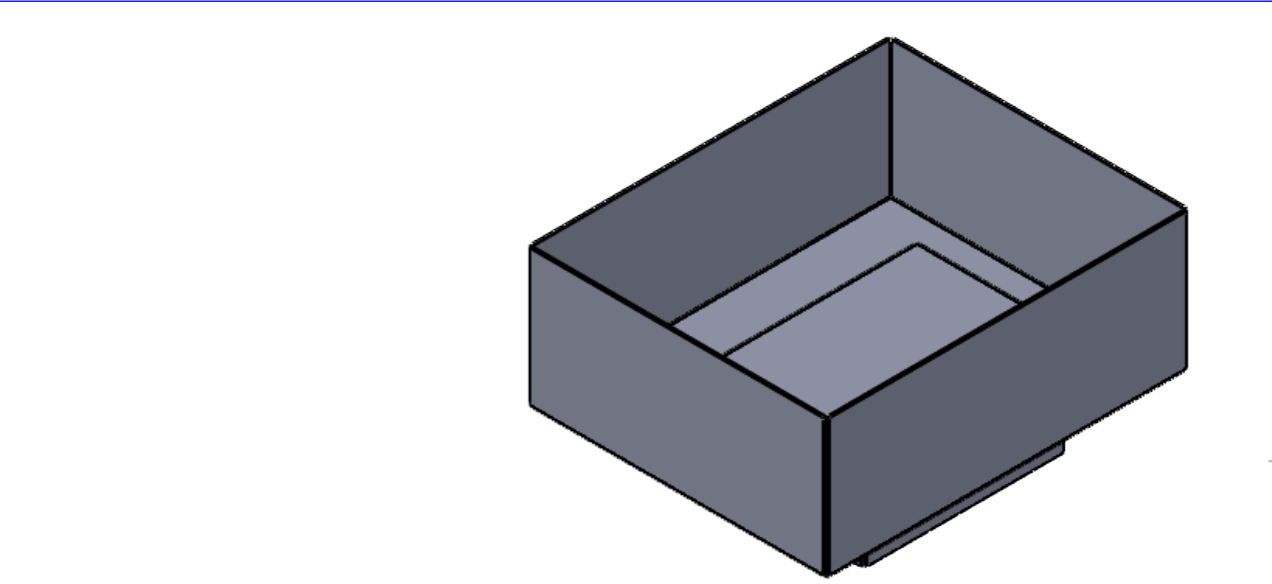
D



VANICKA
PLECH 2MM
VODOTESNE ZVARENY
TOLERANCIA +/- 2MM

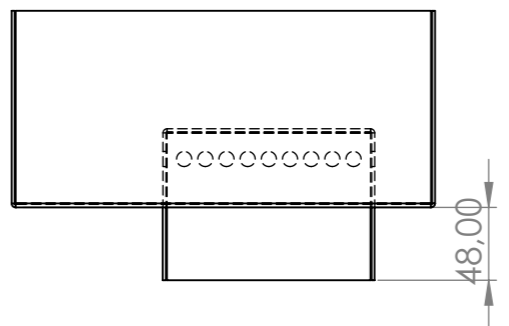
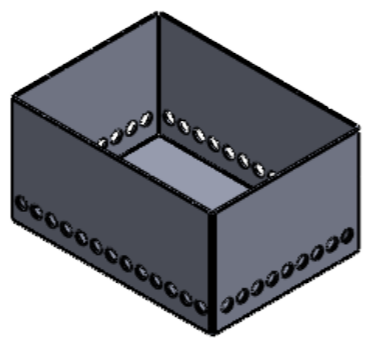


ZOSTAVA VANICKA + VZDUCH
PLECH BEZ POVRCHOVEJ UPRAVY
TOLERANCIA +/- 2MM
VODOTESNE ZVERENE

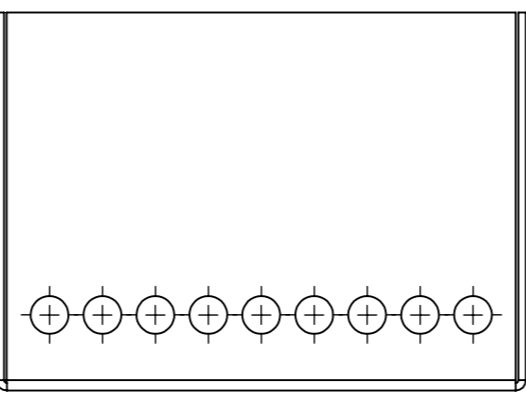
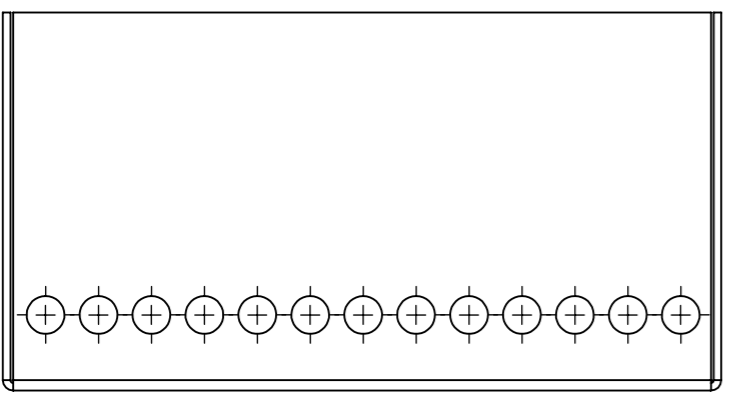


C

VZDUCH
PLECH 2MM
VODOTESNE ZVARENY
TOLERANCIA +/- 2MM
BEZ POVRCHOVEJ UPRAVY



B



A

8 7 6 5 4 3 2 1

UNLESS OTHERWISE SPECIFIED: DIMENSIONS ARE IN MILLIMETERS		FINISH:		DEBURR AND BREAK SHARP EDGES		DO NOT SCALE DRAWING		REVISION	
SURFACE FINISH:									
TOLERANCES:									
LINEAR:									
ANGULAR:									
DRAWN		NAME	SIGNATURE	DATE			TITLE:		
CHK'D									
APPV'D									
MFG									
Q.A					MATERIAL:	DWG NO.	vanicka		A3
					WEIGHT:	SCALE:1:5	SHEET 1 OF 1		