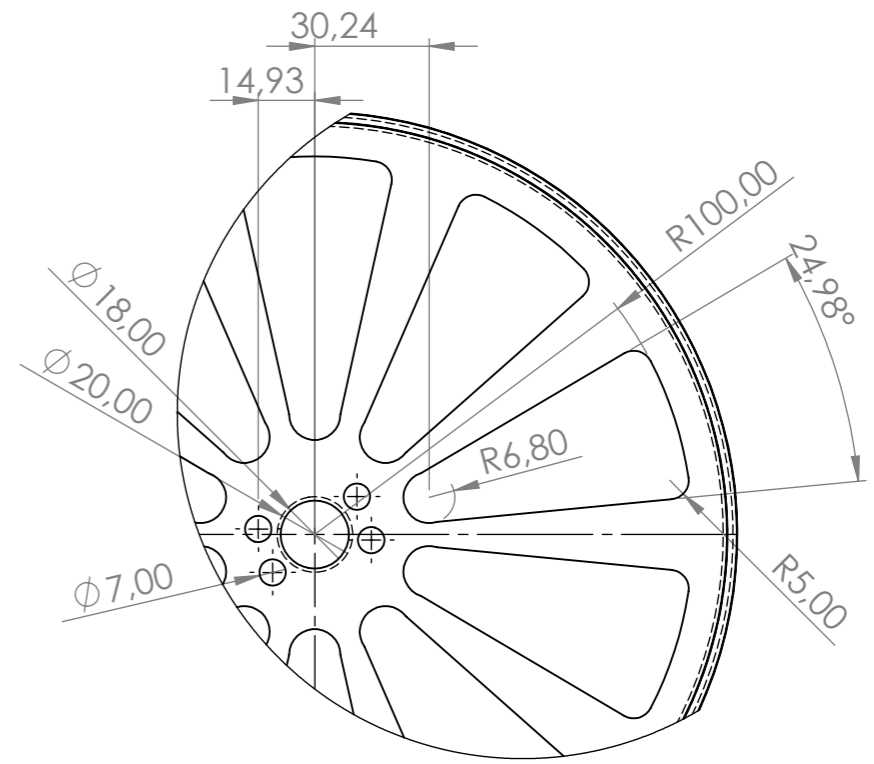
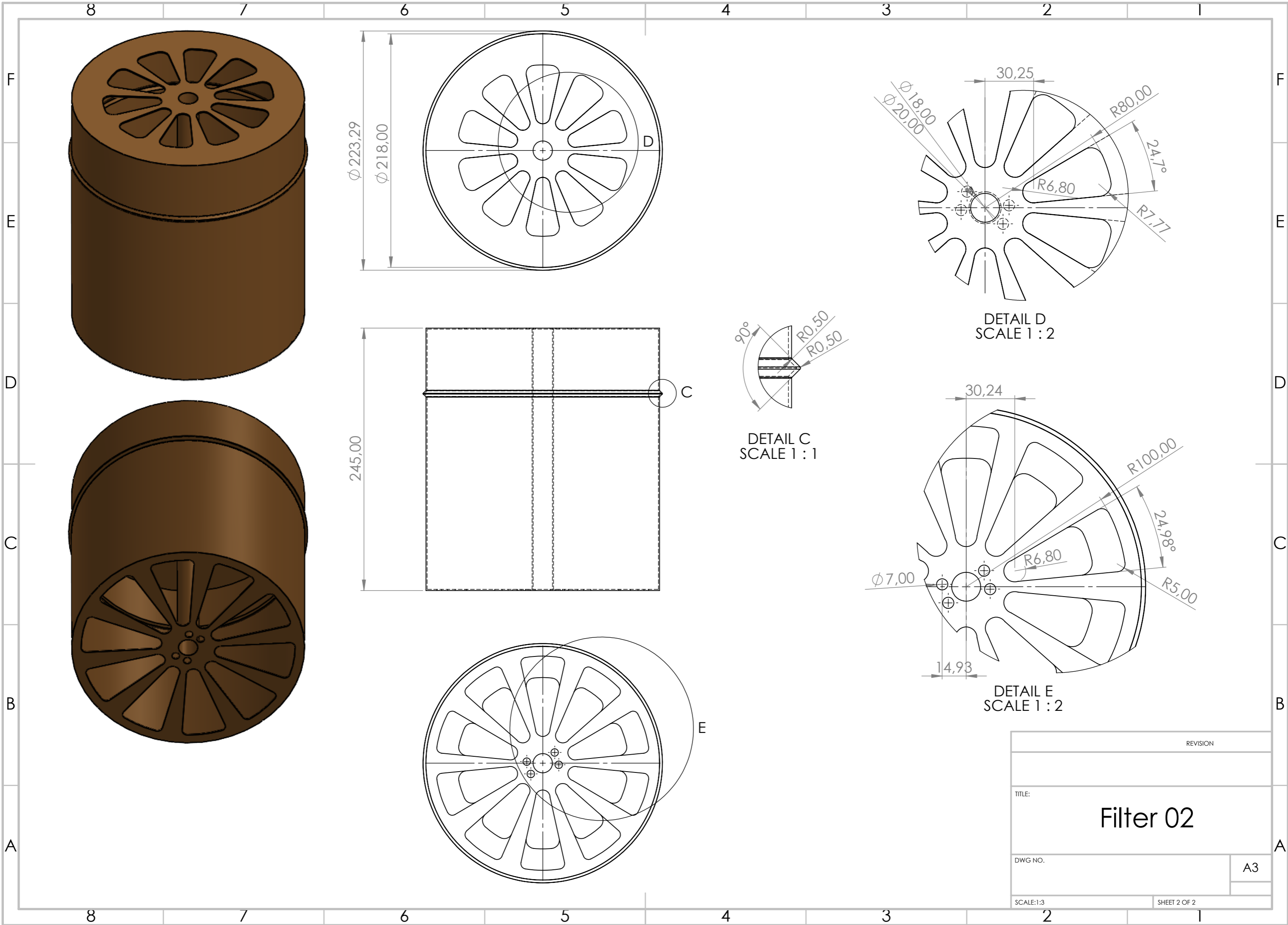


DETAIL A
SCALE 1 : 1



DETAIL B
SCALE 1 : 2

REVISION	
TITLE:	Filter 01
DWG NO.	A3
SCALE:1:3	SHEET 1 OF 2



REVISION	
TITLE: Filter 02	
DWG NO.	A3
SCALE:1:3	SHEET 2 OF 2