

Pub No.

NOT TO SCALE

127.76 ± 0.25

99.00 ± 0.25

14.38 ± 0.25

9.00

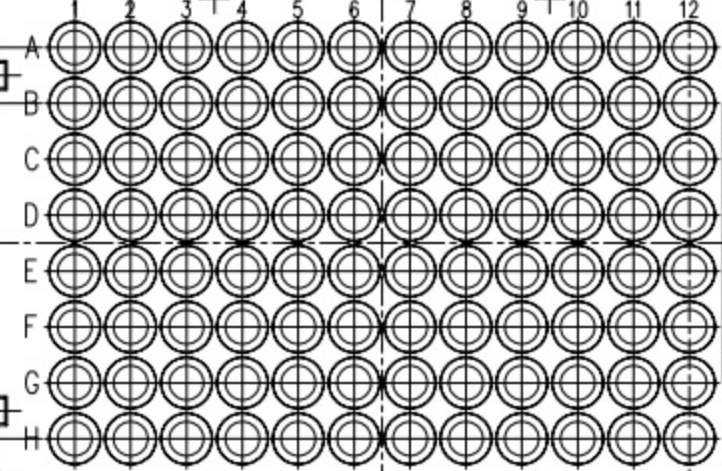
X ←

85.48 ± 0.25

63.00 ± 0.25

11.24 ± 0.25

9.00



ARMADILLO™

25.00

25.00

16.00 ± 0.25

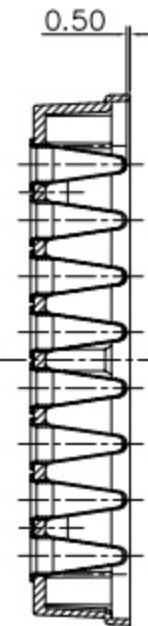
4.00 ± 0.25

25.00

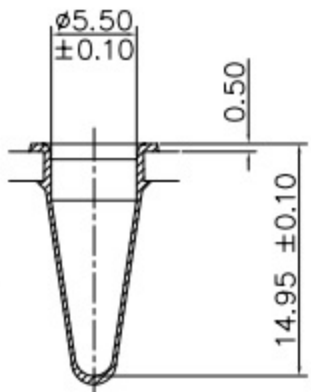
25.00

X ←

4.00 (x8)



SECTION X-X



VIAL FORM

All dimensions in mm

TITLE

DRG. NO.

ISSUE

DATE