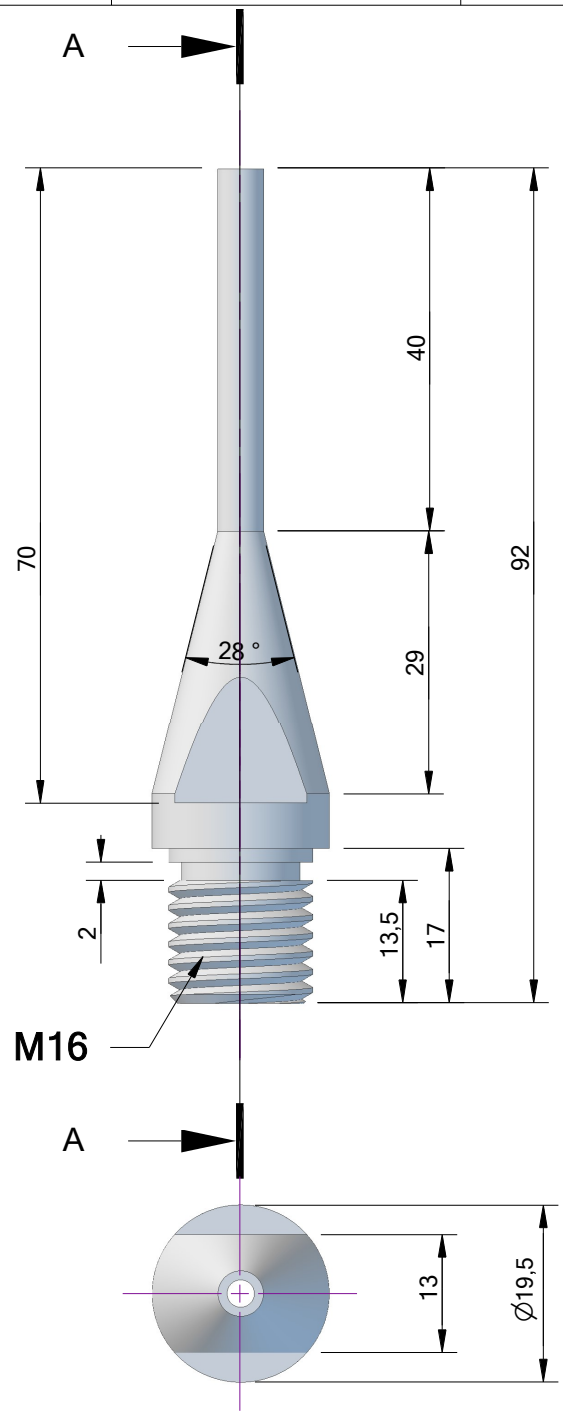
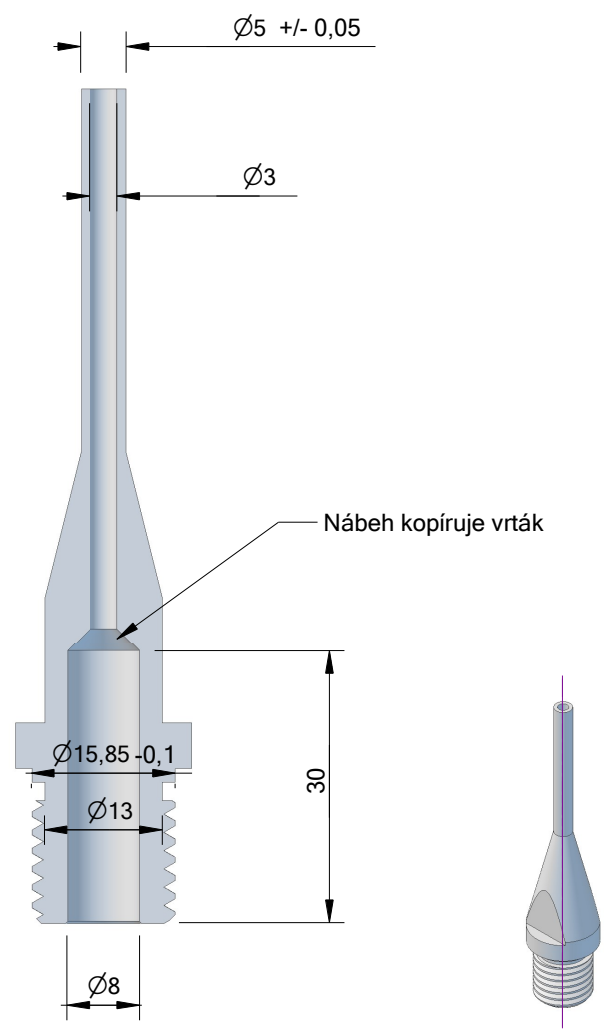


1 2 3 4 5 6

A  
B  
C  
D



Section A-A



A  
B  
C  
D

		<b>Roffelsen</b> PLASTICS	
Name		Material	
Špička 5		1.4301	
Treatment	Date	Quantity	Scale
-----	21.6.2021	1x	

1 2 3 4 5 6