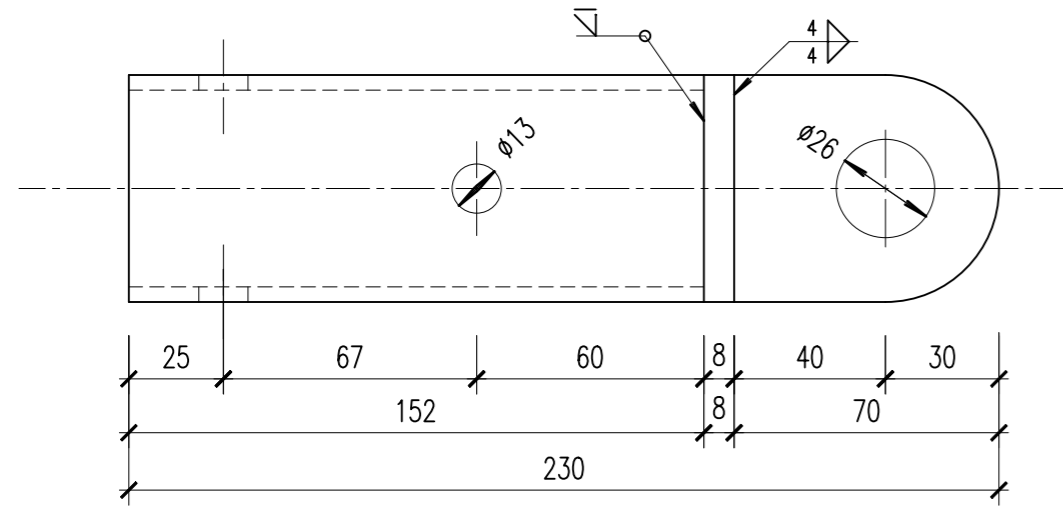
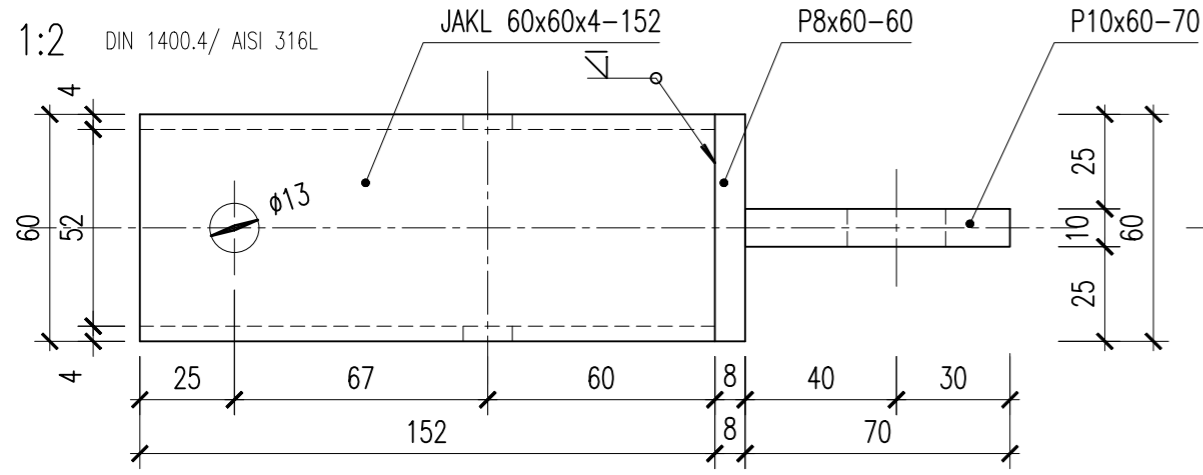


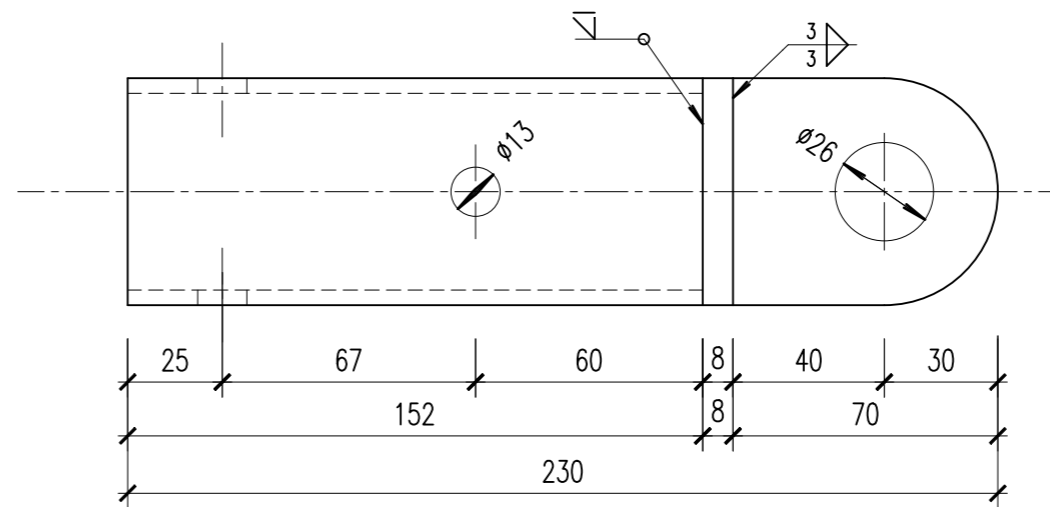
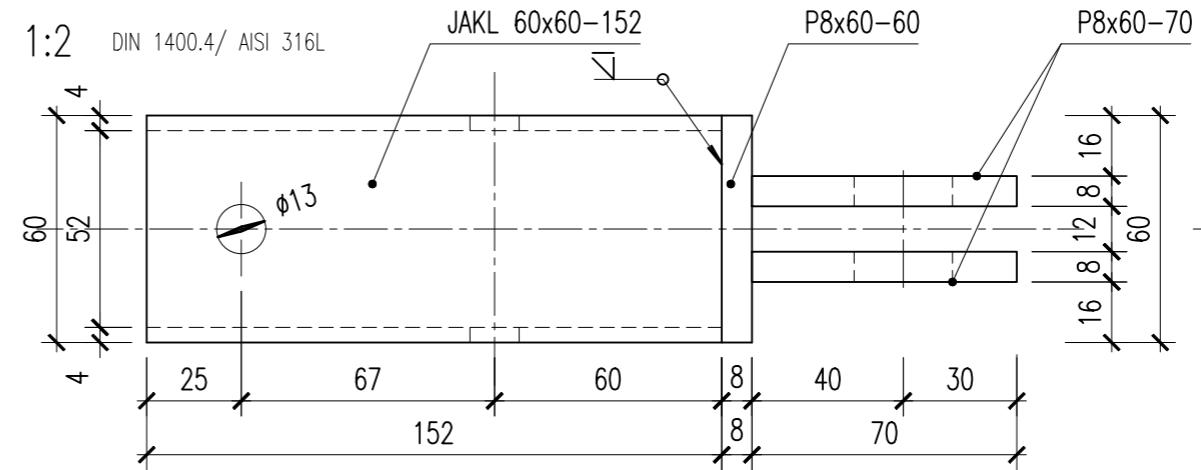
TRUSS INSERT A 60x

M 1:2 DIN 1400.4/ AISI 316L



TRUSS INSERT B 60x

M 1:2 DIN 1400.4/ AISI 316L



CONCEPT	CONSTRUCTION: CARPORT ROOF			DESIGN: Psi
	DWG NAME STAINLESS STEEL 1.4404 OR AISI 316L		SCALE 1:2	DATE: 231017
				DWG NUMBER VDSS4