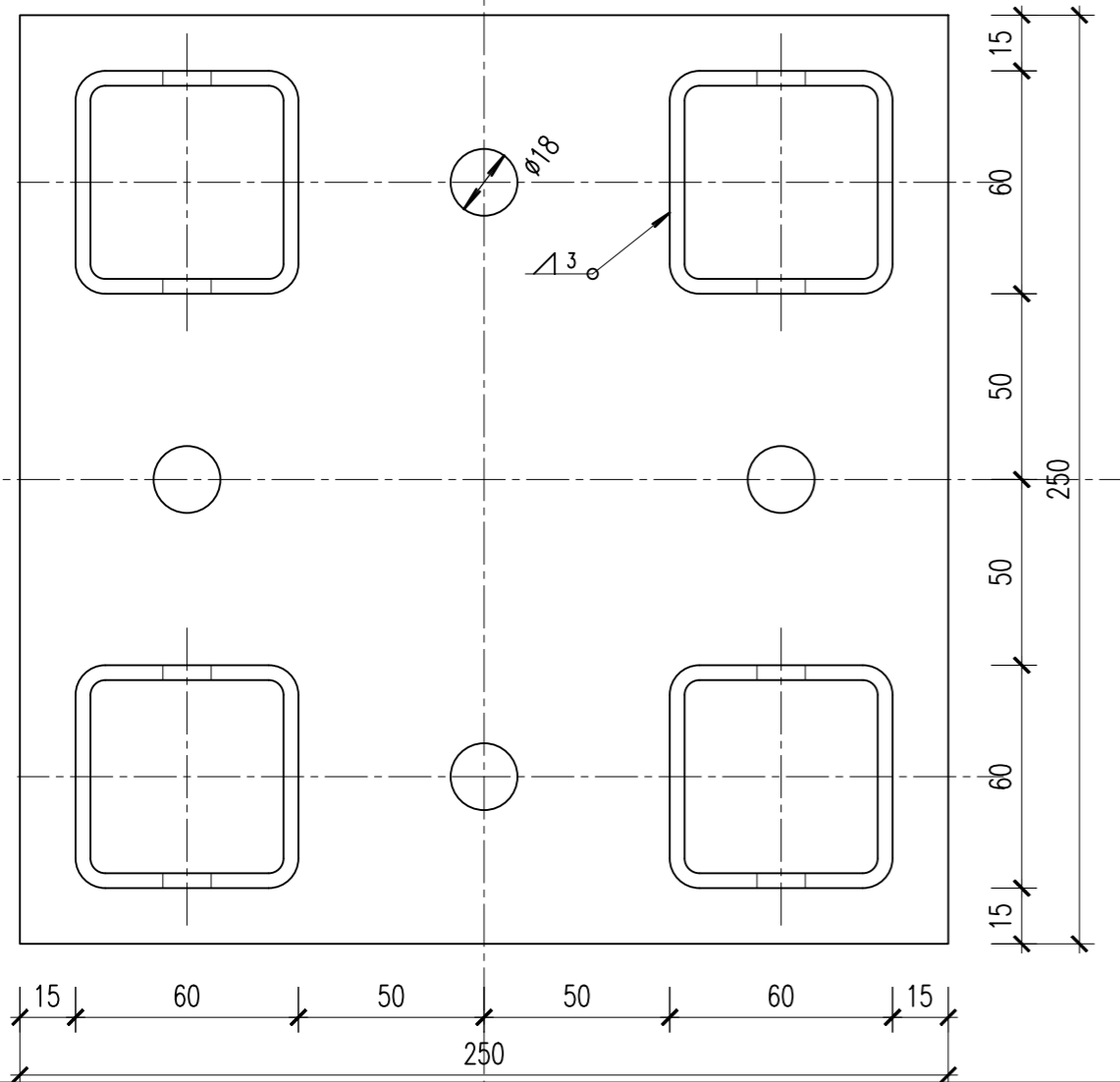
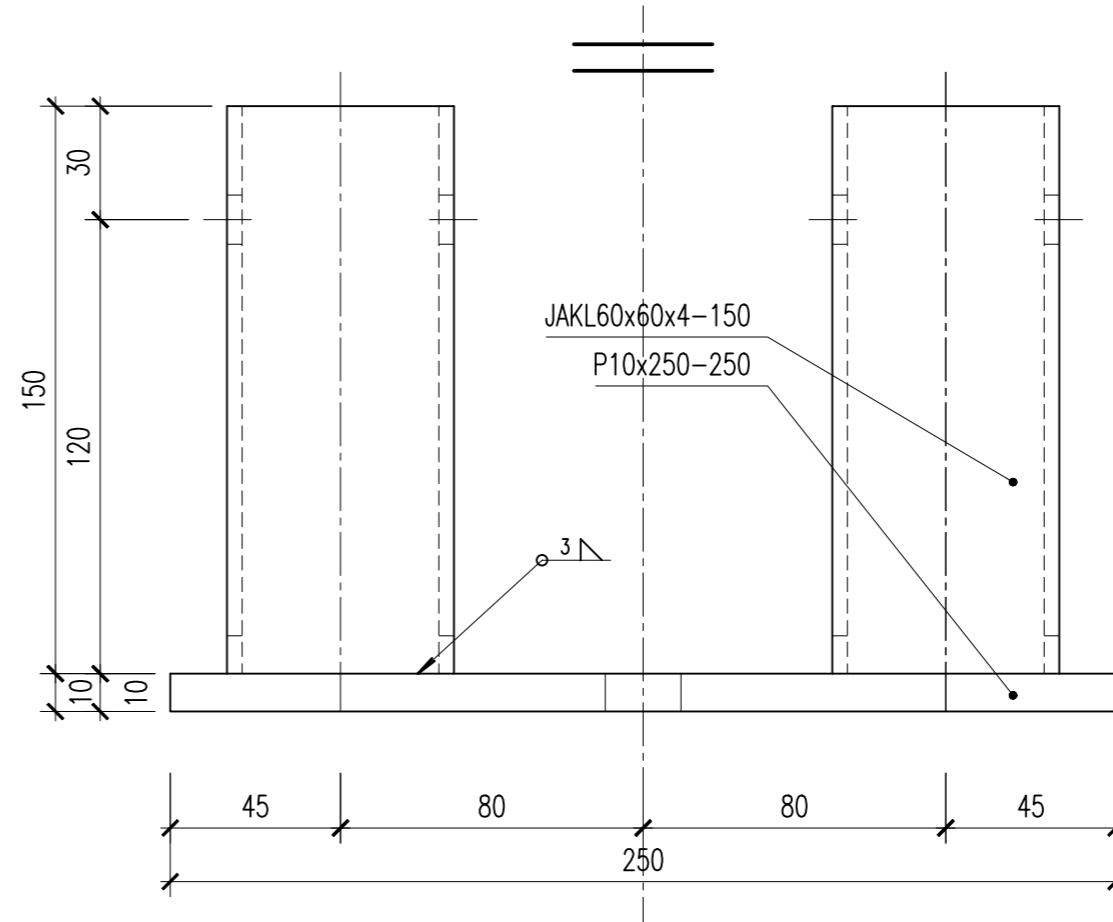
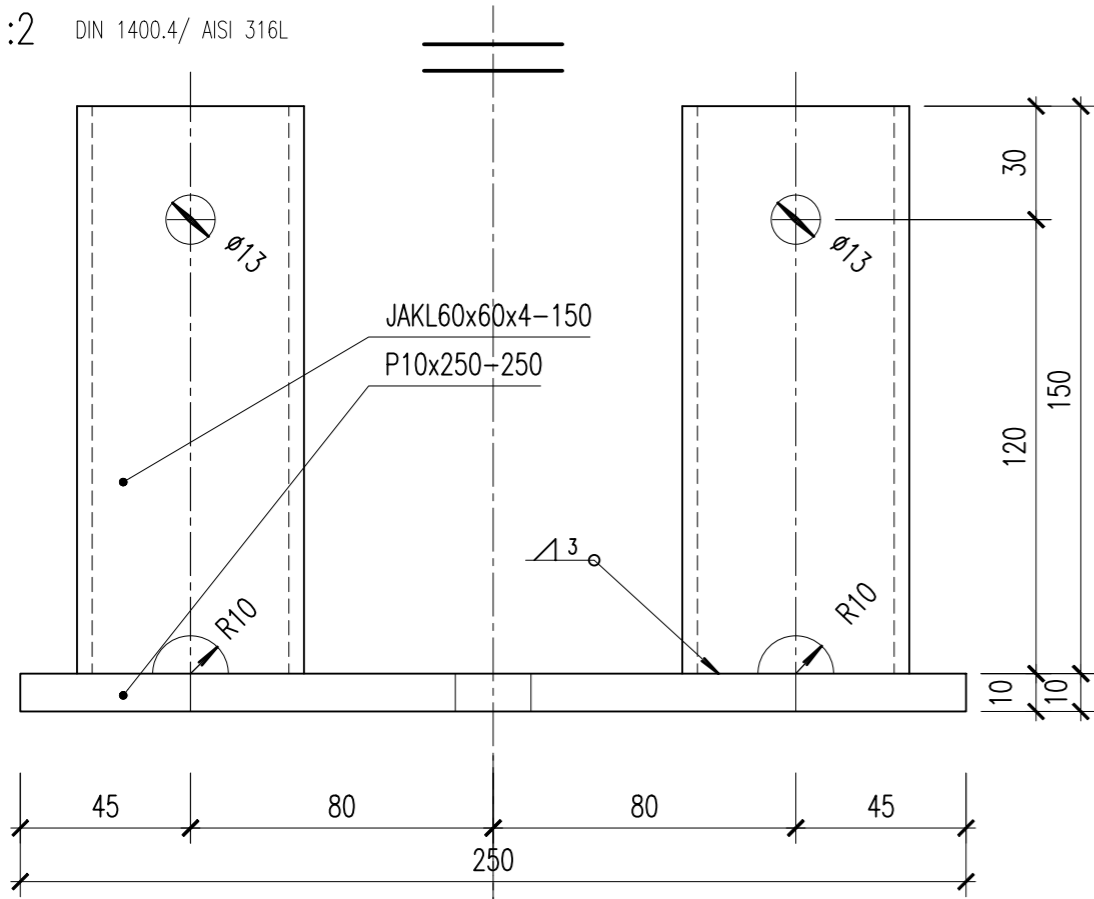


ANCHOR DETAIL A -44x

M 1:2 DIN 1400.4/ AISI 316L



CONCEPT	CONSTRUCTION: CARPORT ROOF		DESIGN: PSi	
	DWG NAME STAINLESS STEEL 1.4404 OR AISI 316L		SCALE 1:2	DATE: 231017
			DWG NUMBER VDSS2	