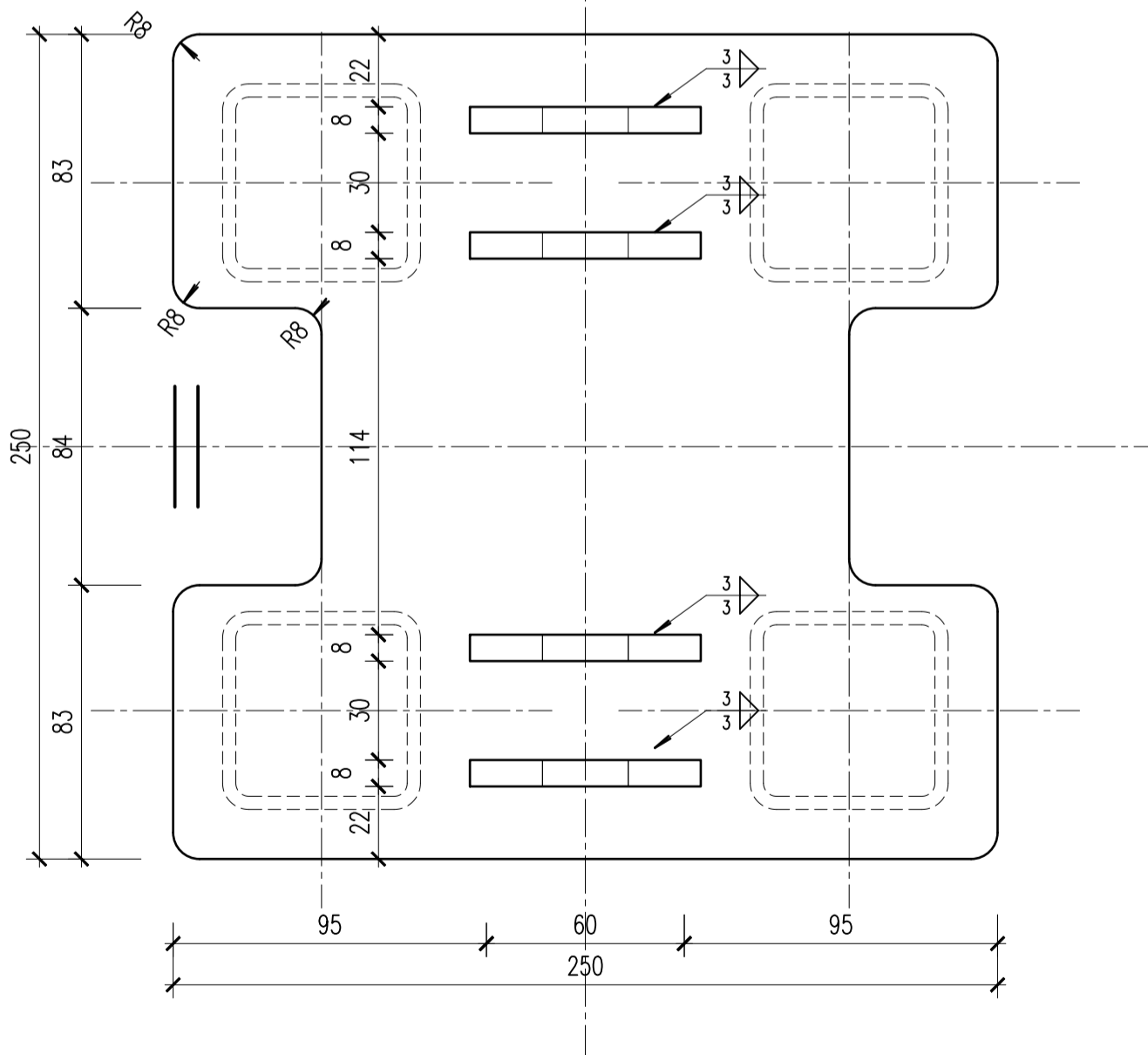
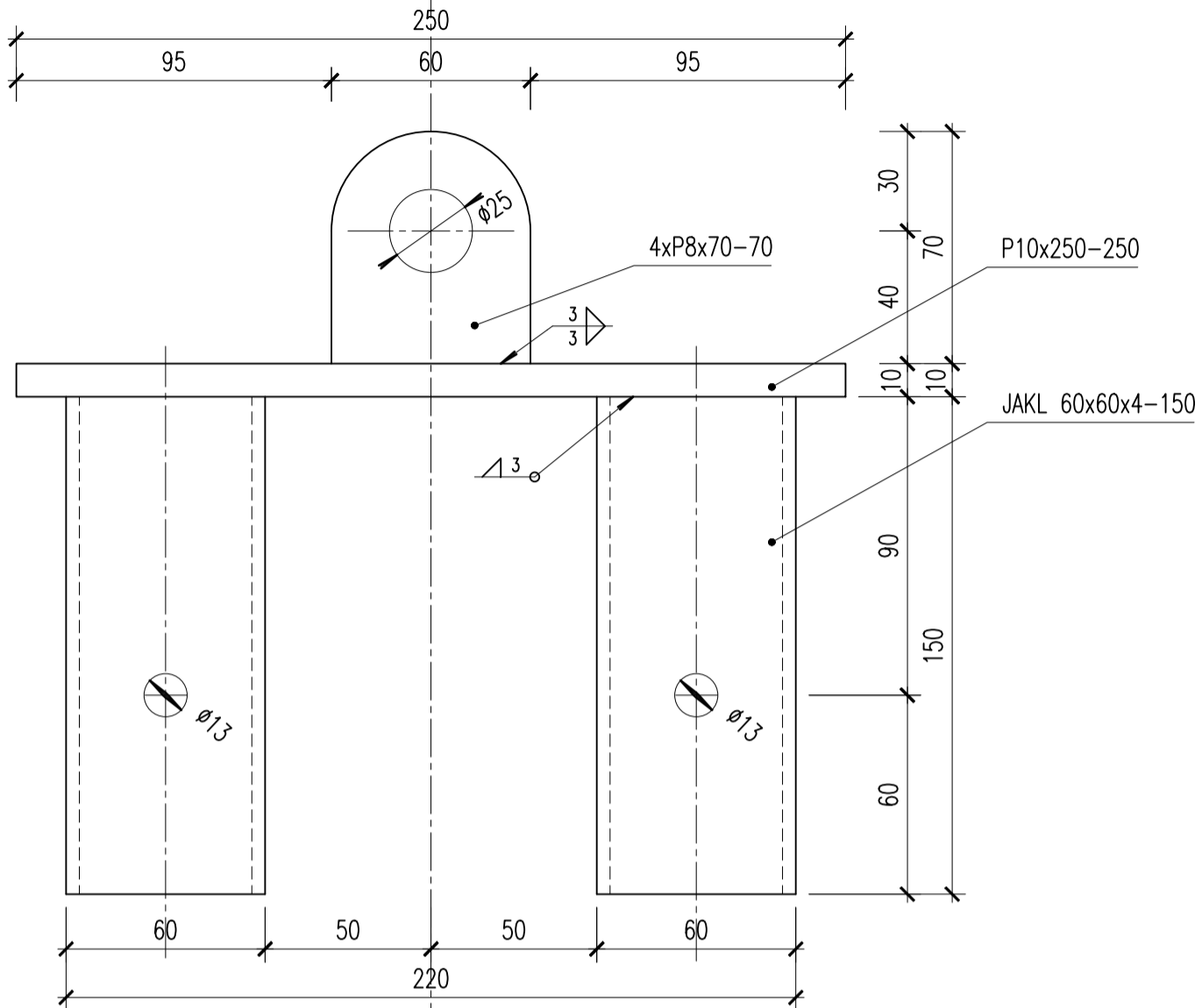


COLUMN HEAD -38x

M 1:2 DIN 1400.4/ AISI 316L



| | | | | |
|---------|--|--------------|-----------------|----------------------------|
| CONCEPT | CONSTRUCTION: CARPORT ROOF | | | DESIGN: PSi |
| | DWG NAME STAINLESS STEEL 1.4404 OR AISI 316L | SCALE 1:2 | DATE: 231017 | DWG NUMBER VDSS1 |