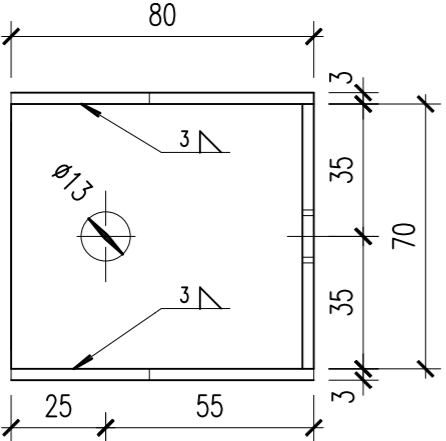
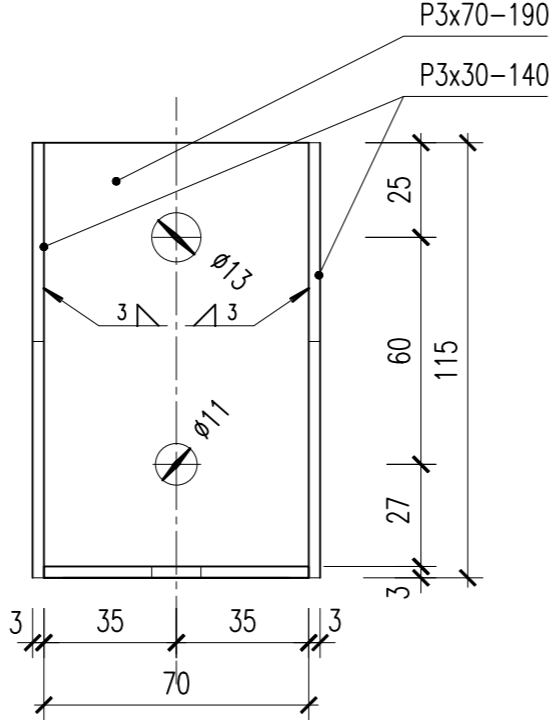
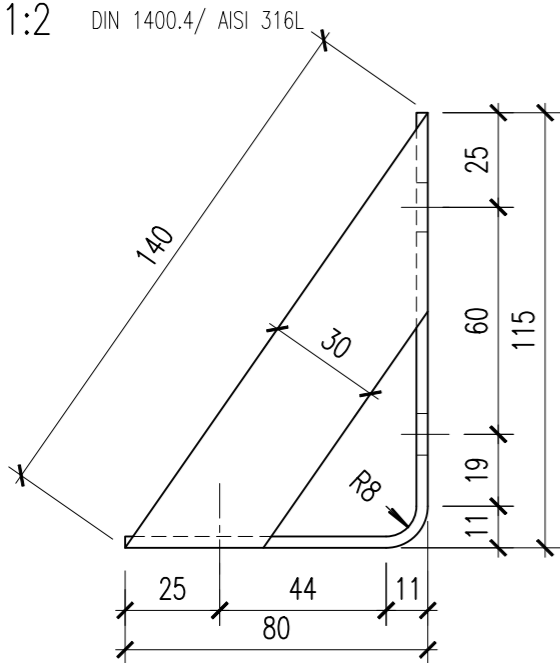


TRUSSES CONNECTION - 120x

M 1:2 DIN 1400.4/ AISI 316L



CONCEPT	CONSTRUCTION:			DESIGN:
	CARPORT ROOF			PSi
	DWG NAME	SCALE	DATE:	DWG NUMBER
	STAINLESS STEEL 1.4404 OR AISI 316L	1:2	231017	VDSS5