

6.3 Transporting the machine

When transporting the machine on flat bed trailer or by rail, etc. it must be lashed down according to good practice at the marked points (fig. 51) and secured with wedges; the support legs (and/or dozer blade) and the working equipment must be lowered to the ground.



*Be aware of the total transport height.
Risk of accident when driving in
tunnels, under bridges, etc.!*

Main dimensions Transport position		
A	B	C
6,300 mm	2,450 mm	2,930 mm

Fig. 50 Uppercarriage locking

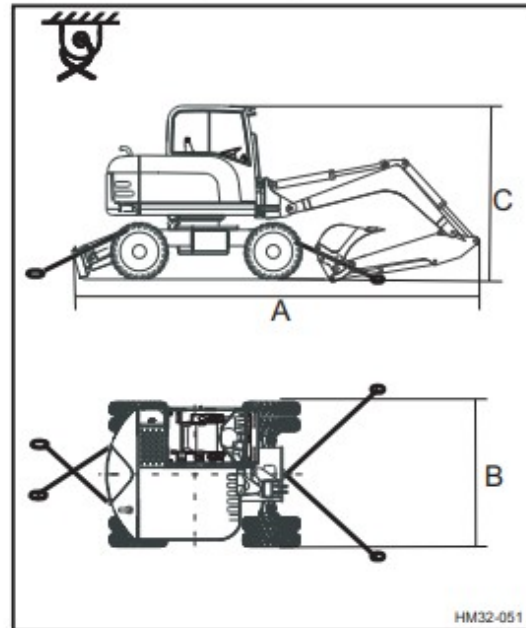


Fig. 51 Lashing for transport