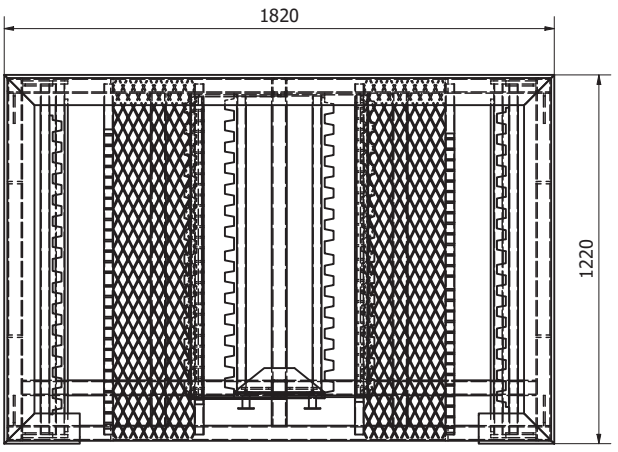
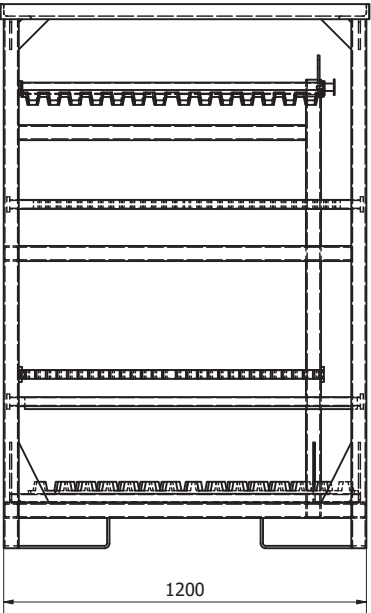
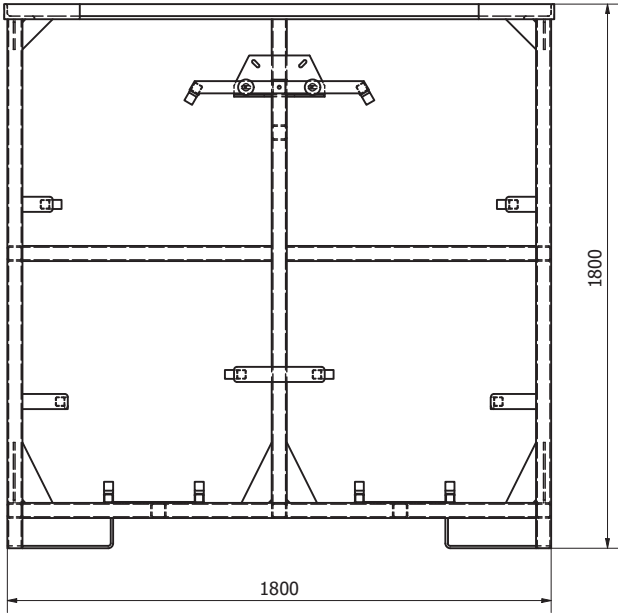


Status	
Presentation	
Quotation	X
Manufacturing	

BOM	
REPERE	QTE
21-002189-1-1-0	1
21-002189-1-2-0	2
21-002189-1-3	10
21-002189-1-4	2
21-002189-1-5	2



21-002189-1-3
PU frise

21-002189-1-4
PU plate



REV	DESCRIPTION	DATE
B	details added	10/05/2021
A	creation	16/03/2021

Realised by Seye	Verified by	Date of creation 16/03/2021	Date of modif. 10/05/2021	Code article	
Conteneur				21-002189-1-0	
				Modification B	Sheet 1 / 1

Unit: mm. Unless other spec., use norm **NF EN 1090**