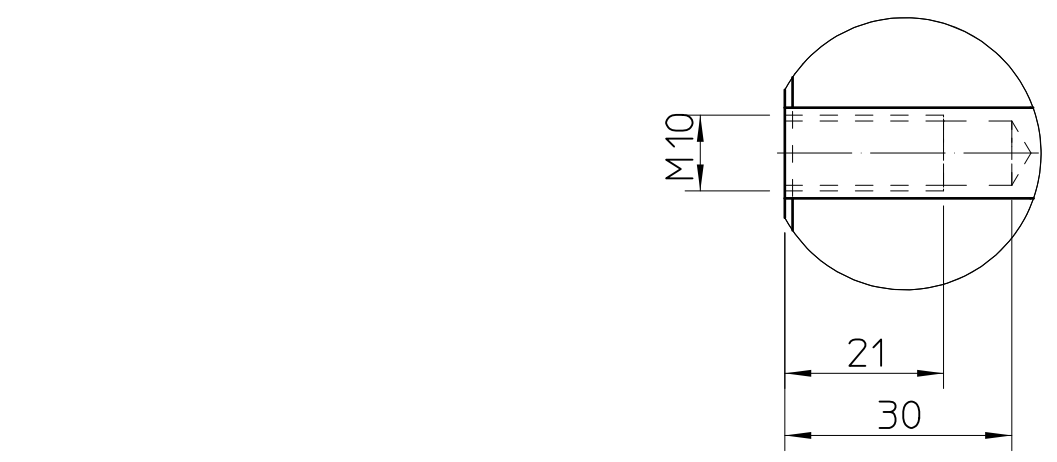
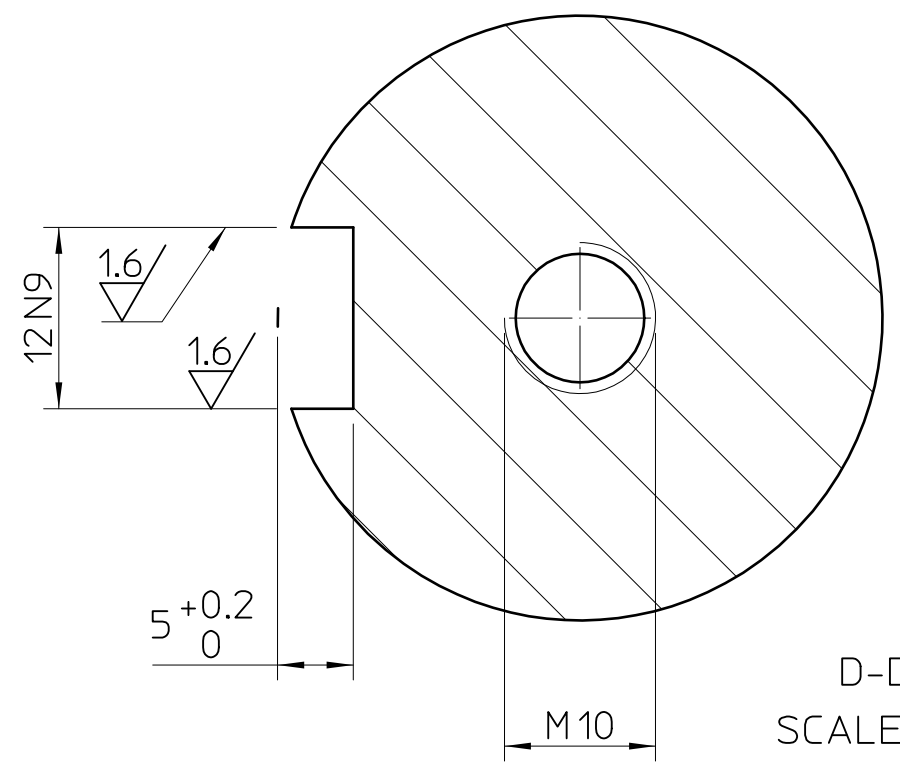
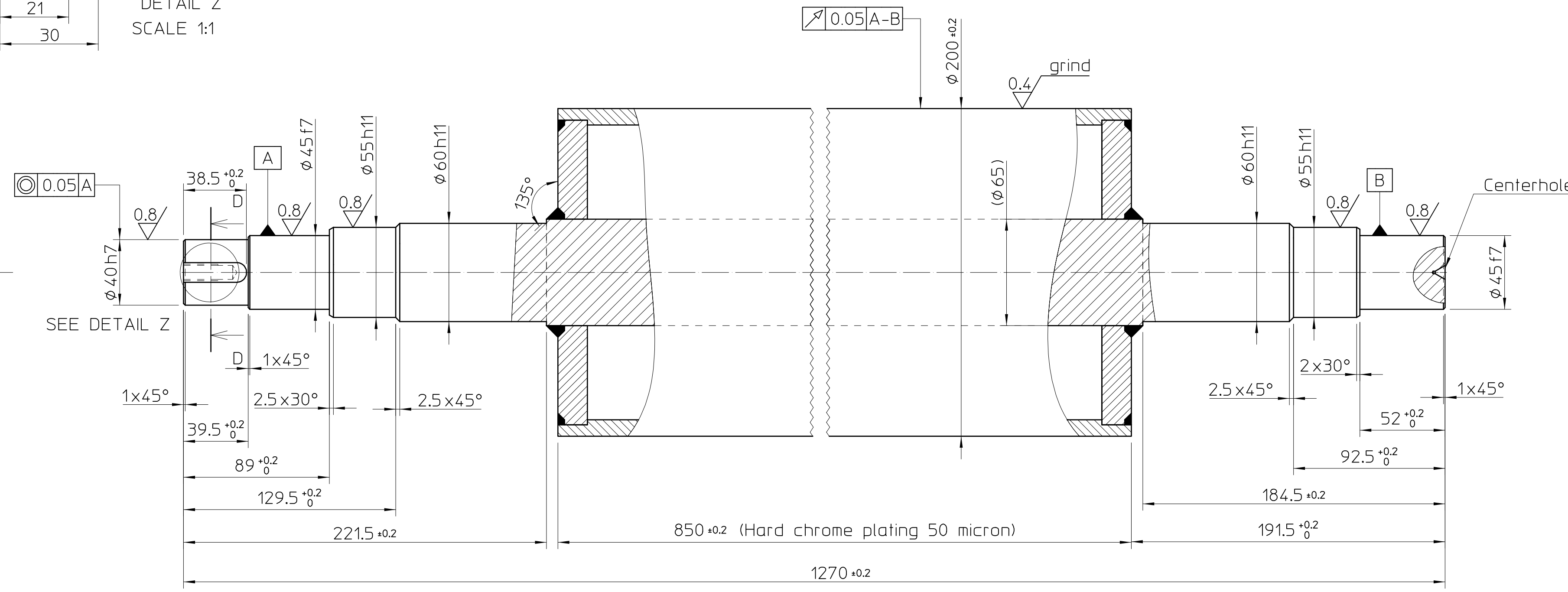
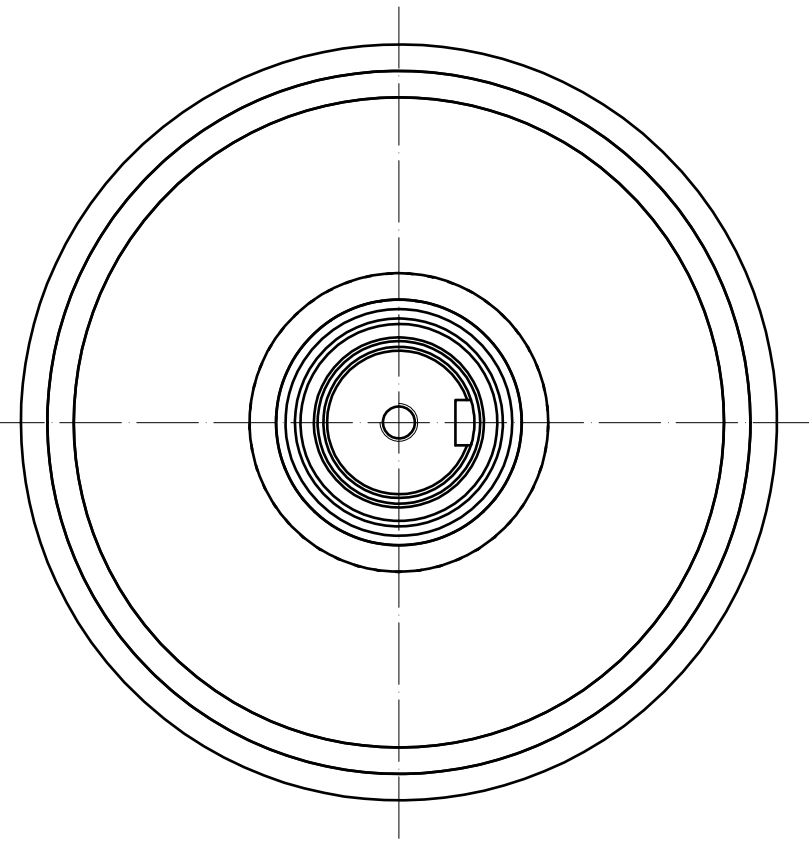


3.2/ (1.6/ 0.8/ 0.4/)



DETAIL Z
SCALE 1:1



D-D
SCALE 2:1

1	1	60002027	Weldassy upperroller D200 ww800	MATERIAL																					
POS	QTY	ARTICLE NUMBER	DESCRIPTION																						
DESCRIPTION: Upperroller D200 ww800				<small>USE THE FOLLOWING TOLERANCES FOR UNSPECIFIED DIMENSIONS (MM) BY 20°C</small> <table border="1"> <tr> <td>ABOVE:</td> <td>6</td> <td>30</td> <td>120</td> <td>315</td> <td>1000</td> <td>2000</td> </tr> <tr> <td>UP TO & INCL:</td> <td>6</td> <td>30</td> <td>120</td> <td>315</td> <td>1000</td> <td>2000</td> </tr> <tr> <td>TOLERANCE:</td> <td>+0.1</td> <td>+0.2</td> <td>+0.3</td> <td>+0.5</td> <td>+1.2</td> <td>+2</td> </tr> </table>	ABOVE:	6	30	120	315	1000	2000	UP TO & INCL:	6	30	120	315	1000	2000	TOLERANCE:	+0.1	+0.2	+0.3	+0.5	+1.2	+2
ABOVE:	6	30	120	315	1000	2000																			
UP TO & INCL:	6	30	120	315	1000	2000																			
TOLERANCE:	+0.1	+0.2	+0.3	+0.5	+1.2	+2																			
DATE: 04-05-22				STATE: released																					
DRAWN: Jaco				SCALE: 1:2																					
PROJECTNUMBER:				<small>BREAK ALL SHARP EDGES AS FOLLOWS:</small> 																					
DRAWING NUMBER: 50010336				FORMAT: A2																					
				VERSION: 0																					
THIS DRAWING IS CONFIDENTIAL & THE PROPERTY OF RINC IBS. IT MUST NOT BE LOANED OR COPIED IN ANY FORM WITHOUT WRITTEN PERMISSION																									