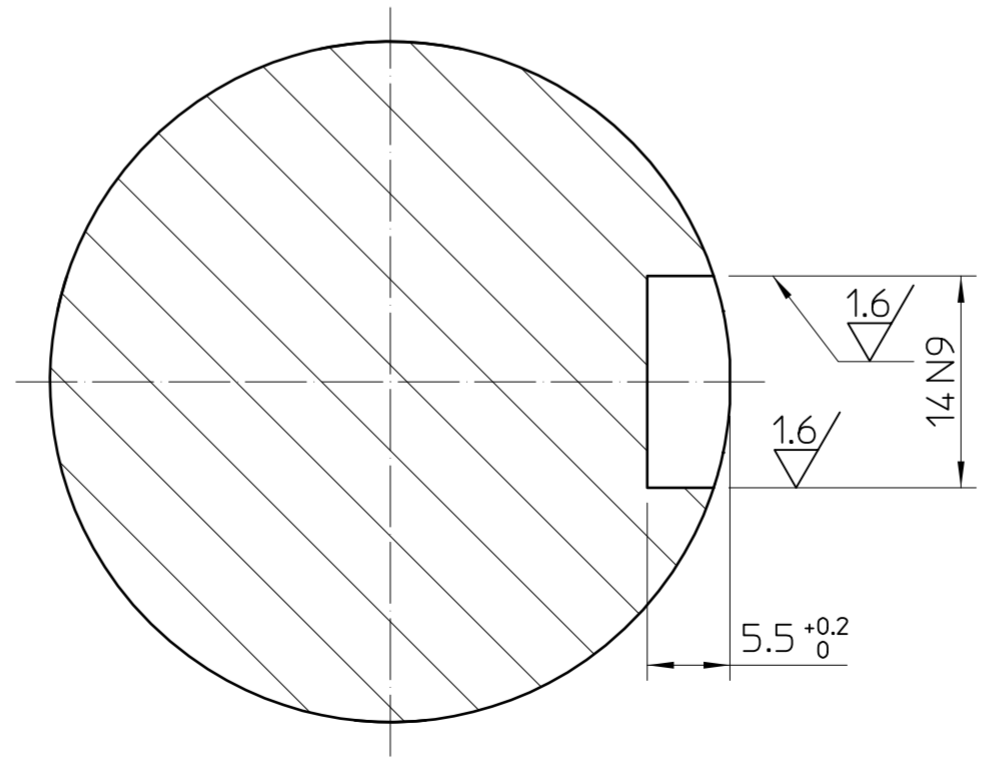
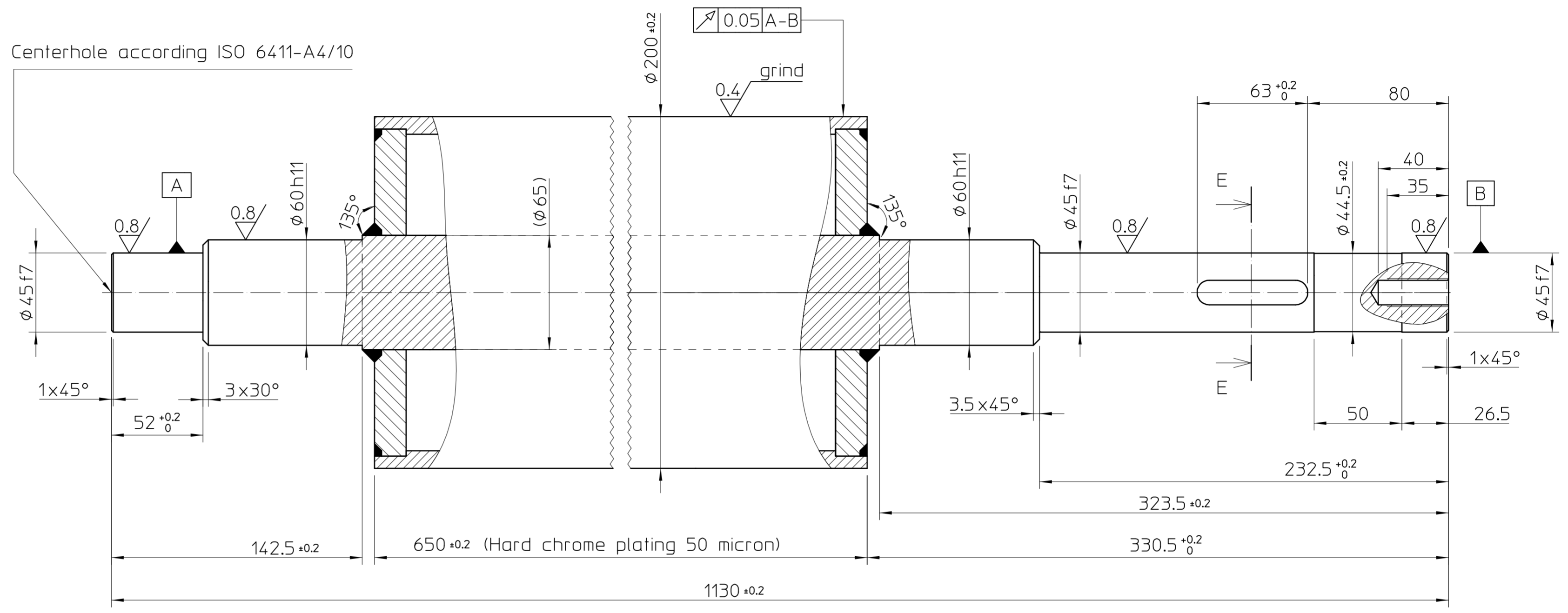
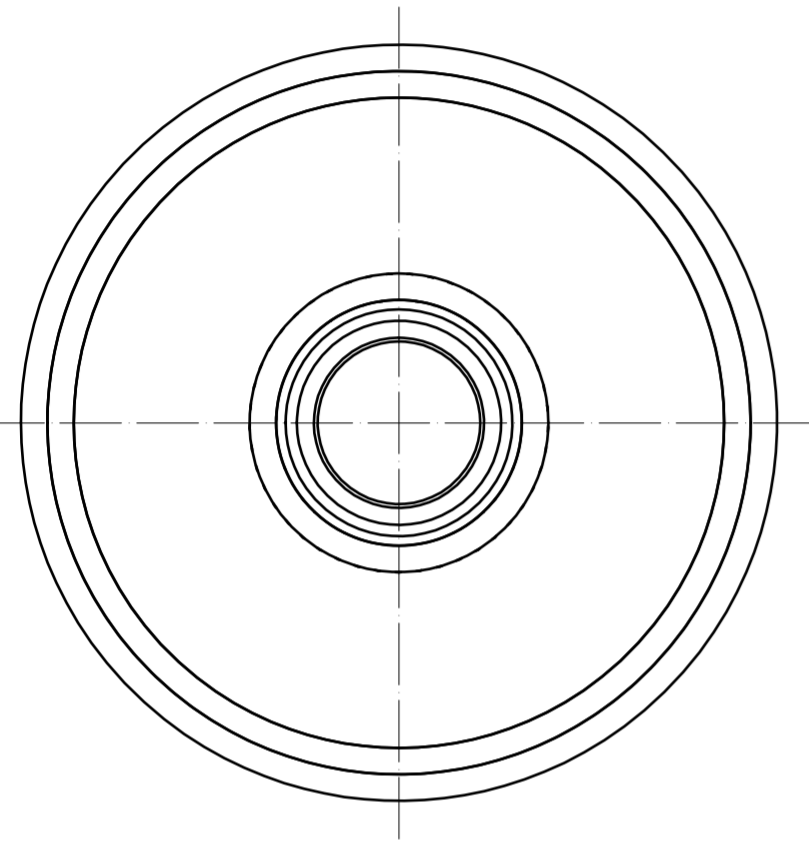


3.2/ (1.6/ 0.8/ 0.4/)



E-E  
SCALE 2:1

1	1	60000888	Weldassy bottomroller D200 MR ww600	MATERIAL																															
POS	QTY	ARTICLE NUMBER	DESCRIPTION																																
DESCRIPTION: Bottomroller D200 MR ww600				<table border="1"> <tr> <td>USE THE FOLLOWING TOLERANCES FOR UNSPECIFIED DIMENSIONS (mm) BY 20°C</td> <td>BREAK ALL SHARP EDGES AS FOLLOWS:</td> </tr> <tr> <td> <table border="1"> <tr> <td>ABOVE:</td> <td>6</td> <td>30</td> <td>120</td> <td>315</td> <td>1000</td> <td>2000</td> </tr> <tr> <td>UP TO &amp; INCL:</td> <td>30</td> <td>120</td> <td>315</td> <td>1000</td> <td>2000</td> <td></td> </tr> <tr> <td>TOLERANCE:</td> <td>+0.1</td> <td>+0.2</td> <td>+0.3</td> <td>+0.5</td> <td>+1.2</td> <td>+2</td> </tr> </table> </td> <td> <table border="1"> <tr> <td>min. 0.1mm</td> <td>min. 0.1mmx45°</td> </tr> <tr> <td>min. 0.2mm</td> <td>OR</td> </tr> <tr> <td>min. 0.25mmx45°</td> <td></td> </tr> </table> </td> </tr> </table>	USE THE FOLLOWING TOLERANCES FOR UNSPECIFIED DIMENSIONS (mm) BY 20°C	BREAK ALL SHARP EDGES AS FOLLOWS:	<table border="1"> <tr> <td>ABOVE:</td> <td>6</td> <td>30</td> <td>120</td> <td>315</td> <td>1000</td> <td>2000</td> </tr> <tr> <td>UP TO &amp; INCL:</td> <td>30</td> <td>120</td> <td>315</td> <td>1000</td> <td>2000</td> <td></td> </tr> <tr> <td>TOLERANCE:</td> <td>+0.1</td> <td>+0.2</td> <td>+0.3</td> <td>+0.5</td> <td>+1.2</td> <td>+2</td> </tr> </table>	ABOVE:	6	30	120	315	1000	2000	UP TO & INCL:	30	120	315	1000	2000		TOLERANCE:	+0.1	+0.2	+0.3	+0.5	+1.2	+2	<table border="1"> <tr> <td>min. 0.1mm</td> <td>min. 0.1mmx45°</td> </tr> <tr> <td>min. 0.2mm</td> <td>OR</td> </tr> <tr> <td>min. 0.25mmx45°</td> <td></td> </tr> </table>	min. 0.1mm	min. 0.1mmx45°	min. 0.2mm	OR	min. 0.25mmx45°	
USE THE FOLLOWING TOLERANCES FOR UNSPECIFIED DIMENSIONS (mm) BY 20°C	BREAK ALL SHARP EDGES AS FOLLOWS:																																		
<table border="1"> <tr> <td>ABOVE:</td> <td>6</td> <td>30</td> <td>120</td> <td>315</td> <td>1000</td> <td>2000</td> </tr> <tr> <td>UP TO &amp; INCL:</td> <td>30</td> <td>120</td> <td>315</td> <td>1000</td> <td>2000</td> <td></td> </tr> <tr> <td>TOLERANCE:</td> <td>+0.1</td> <td>+0.2</td> <td>+0.3</td> <td>+0.5</td> <td>+1.2</td> <td>+2</td> </tr> </table>	ABOVE:	6	30	120	315	1000	2000	UP TO & INCL:	30	120	315	1000	2000		TOLERANCE:	+0.1	+0.2	+0.3	+0.5	+1.2	+2	<table border="1"> <tr> <td>min. 0.1mm</td> <td>min. 0.1mmx45°</td> </tr> <tr> <td>min. 0.2mm</td> <td>OR</td> </tr> <tr> <td>min. 0.25mmx45°</td> <td></td> </tr> </table>	min. 0.1mm	min. 0.1mmx45°	min. 0.2mm	OR	min. 0.25mmx45°								
ABOVE:	6	30	120	315	1000	2000																													
UP TO & INCL:	30	120	315	1000	2000																														
TOLERANCE:	+0.1	+0.2	+0.3	+0.5	+1.2	+2																													
min. 0.1mm	min. 0.1mmx45°																																		
min. 0.2mm	OR																																		
min. 0.25mmx45°																																			
DATE: 08-09-20			STATE: released																																
DRAWN: Jaco			SCALE: 1:2																																
PROJECTNUMBER:				FORMAT: A2																															
DRAWING NUMBER: 50004900				VERSION: 0																															

THIS DRAWING IS CONFIDENTIAL & THE PROPERTY OF RINC IBS. IT MUST NOT BE LOANED OR COPIED IN ANY FORM WITHOUT WRITTEN PERMISSION