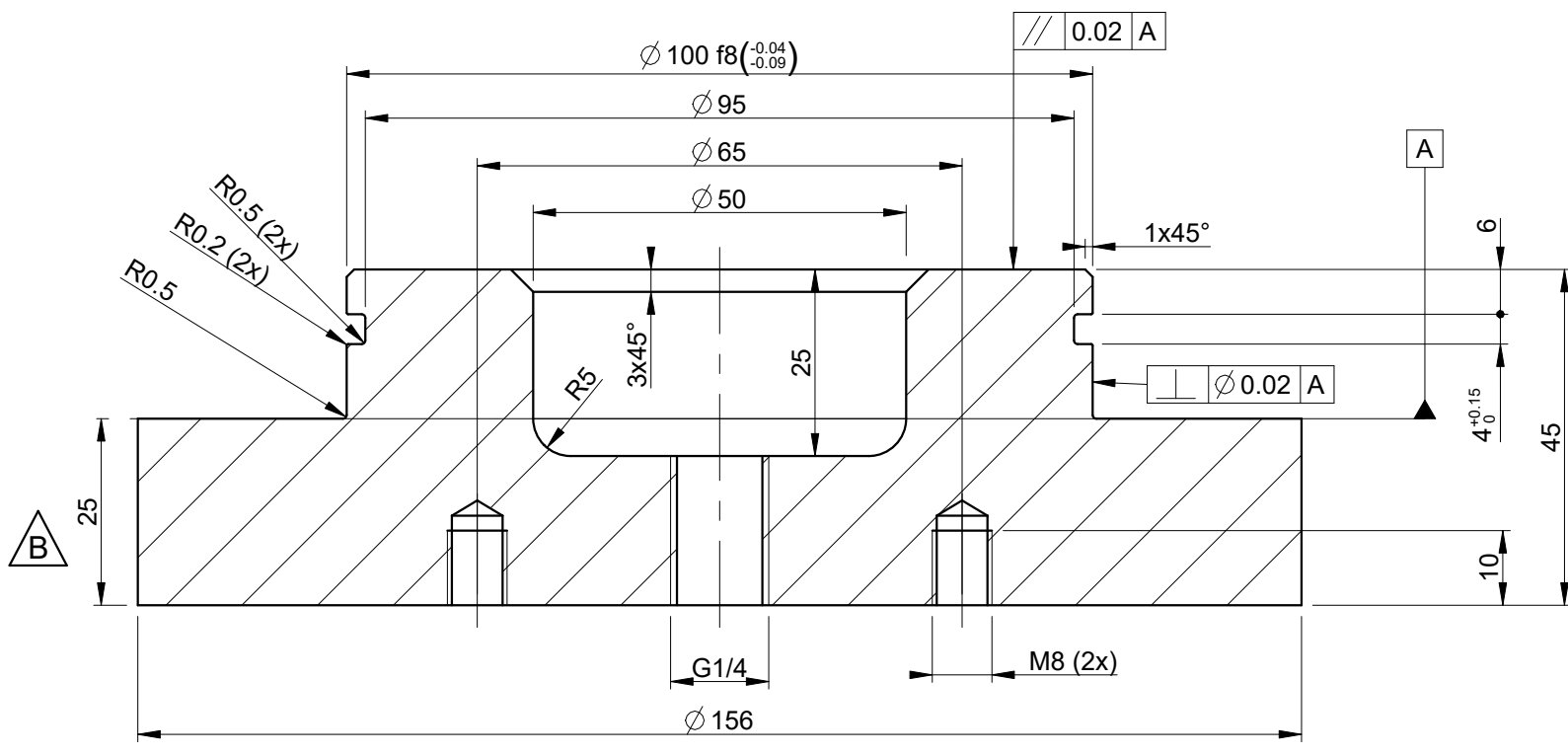
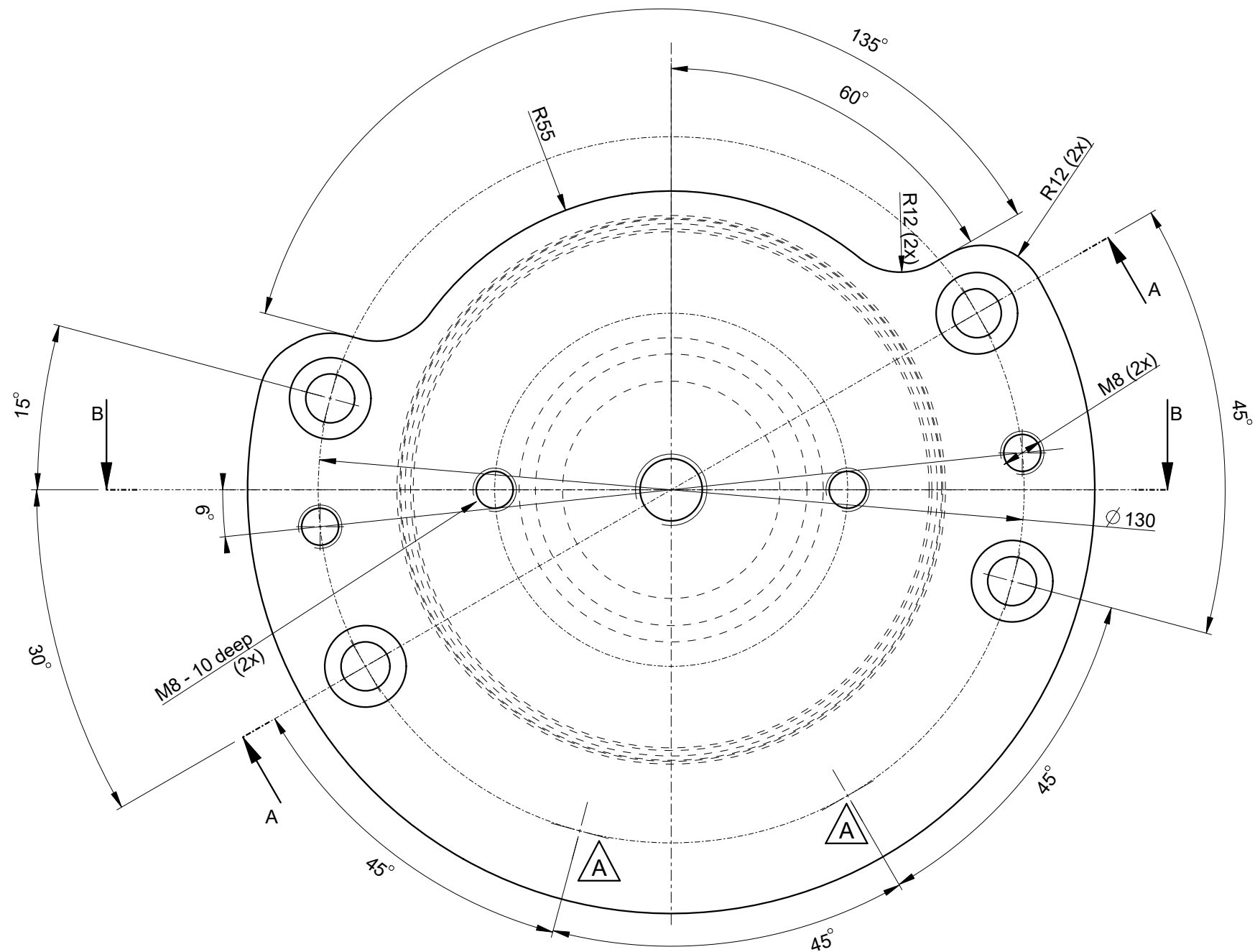


SECTION A-A



SECTION B-B

QPQ

C	ADD TREATMENT QPQ IN FORMAT	BALN	GVDB	2021-05-06
B	RMV DIM 25 +0.2/+0.1	BALN	BALN	2019-10-28
A	RMV 2 holes	BALN	BALN	2012-12-12
-	first issue	baln	baln	2012-07-04
Rev	Revision Description	Creator	Approver	Date (yyyy-mm-dd)
Material :	CK45_(1.1191)	Food Grade :	NO	Scale : 1/1
Treatment :	QPQ	Hardness :	-	Units (mm)
Certificate :	NONE	Based on :	-	Total Area : -[.0] cm ²
			Mass : 3.85 kg	Tolerances acc. to ISO 2768 mK
				Sheet 1/1
				Format A2
Title		ID No	Rev	
COVER PRE-PRESSURE COMPENSATOR		S94749000MP	C	
disassemble, reverse engineer, use or disclose to others this document or any of its contents without express prior written authorization. All rights reserved for patents, utility models and design rights (including related applications).				