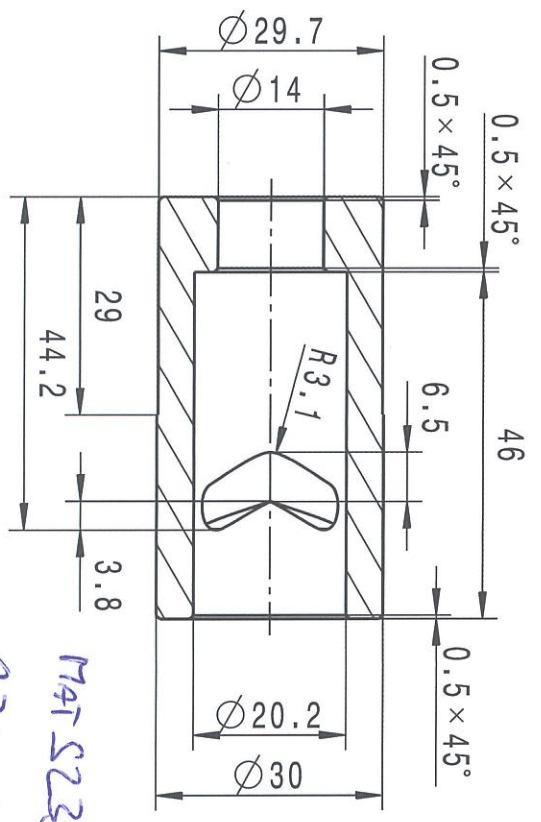


Section view G-G



MAT 5235  
23520K5