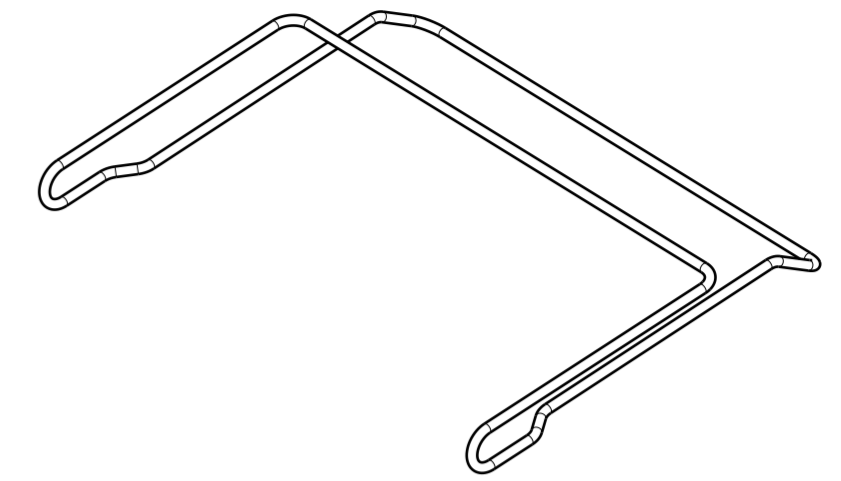
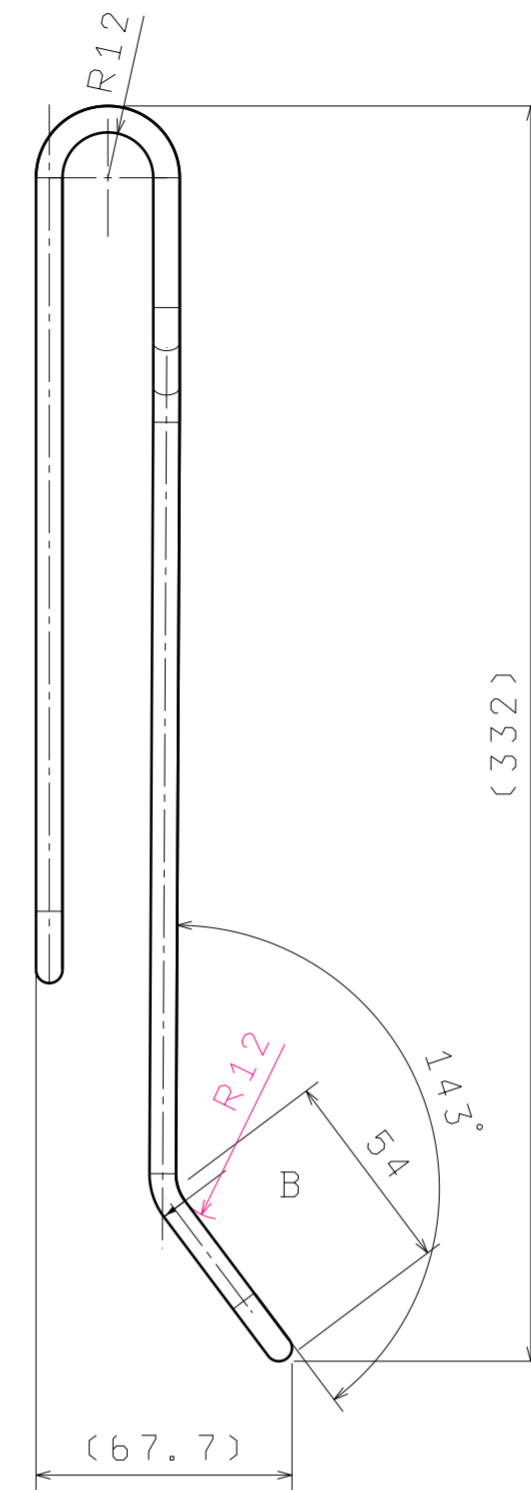
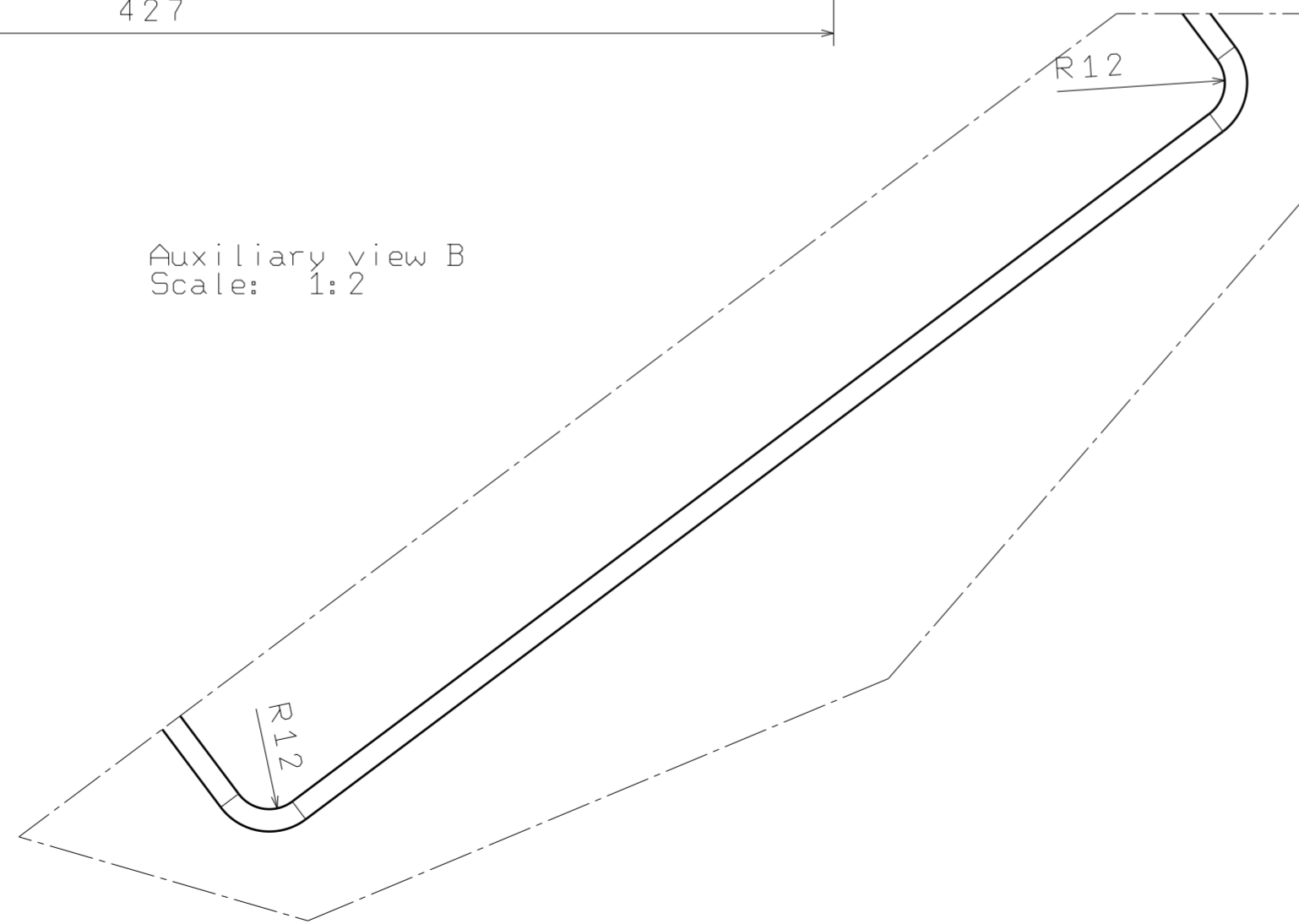
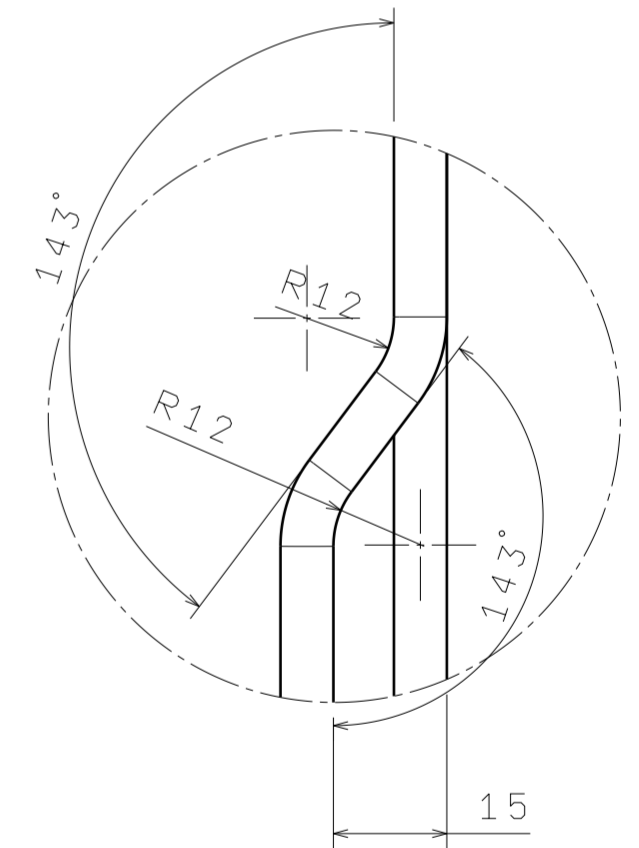


Auxiliary view B
Scale: 1:2



Detail A
Scale: 1:1



ROZVINUTA DELKA DRATU 1947mm/LENGTH OF WIRE FOR BENDING 1947 mm

O. K. ENGINEERING		DRAWING TITLE RAM2		
DRAWN BY O. KANAK	DATE 09.11.2016	SIZE A2	DRAWING NUMBER Part2	REV NEW
CHECKED BY	DATE	SCALE 1:2	WEIGHT (kg) 0.06	SHEET 1/1
DESIGNED BY	DATE			