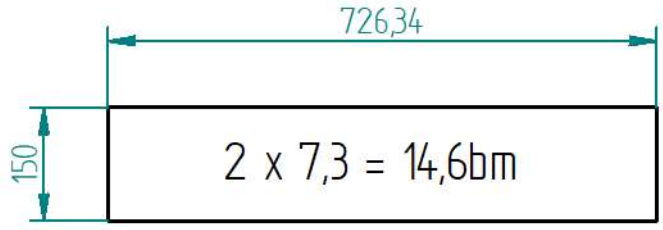
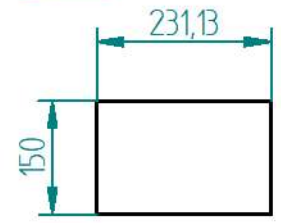


$4 \times 4,9 = 19,6\text{bm}$



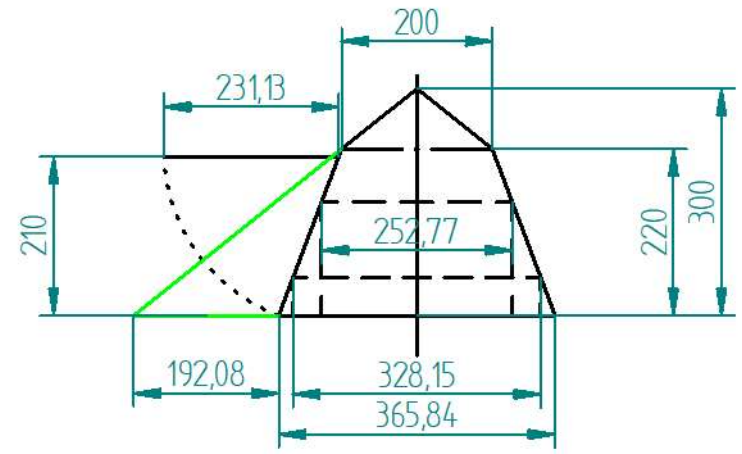
$2 \times 7,3 = 14,6\text{bm}$



$1 \times 2,3 = 2,3\text{bm}$

$19,6 + 14,6 + 2,3 = 36,5\text{bm}$

$36,5 \times 1,5 = 55\text{m}^2$



$\text{spaci} = 8\text{m}^2 + 3,2 \times 2,8\text{m}^2 = 8\text{m}^2 + 8,9\text{m}^2 = 17\text{m}^2$

$\text{sezeni} = 5\text{m}^2 + 2,5 \times 2,8\text{m}^2 = 5\text{m}^2 + 7\text{m}^2 = 12\text{m}^2$

