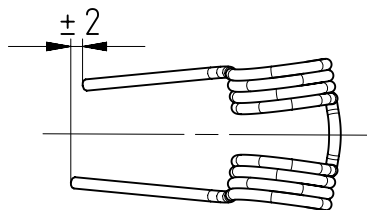
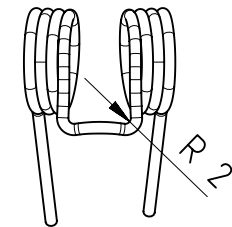
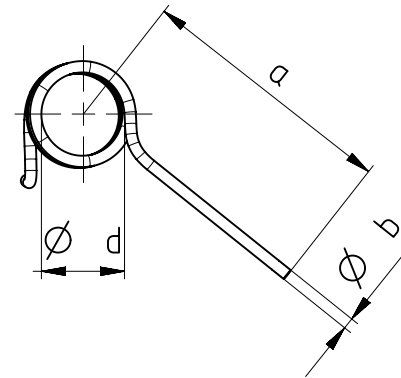
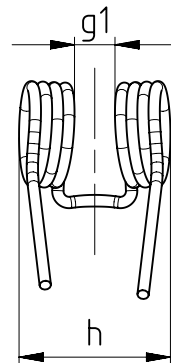
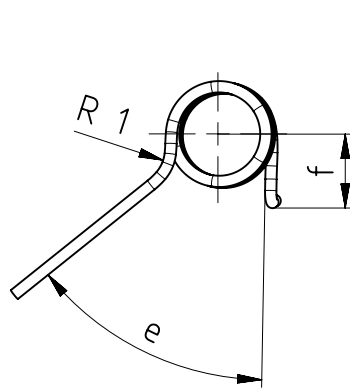
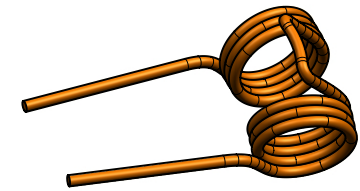


| Dim. / Type | $a \pm 1$ | $\varnothing b$ | $R1 \begin{smallmatrix} +0 \\ -1 \end{smallmatrix}$ | R2 | $\varnothing d \begin{smallmatrix} +0,5 \\ -0 \end{smallmatrix}$ | $e \pm 5^\circ$ | f | g | h | $g1 \begin{smallmatrix} +0 \\ -1 \end{smallmatrix}$ |
|-------------|-----------|-----------------|---|----------|--|-----------------|--|--|---|---|
| 5/6 | 27 | $1,2 \pm 0,025$ | 6 | min. 1,5 | 8,5 | 50 | $6 \begin{smallmatrix} +0,5 \\ -0 \end{smallmatrix}$ | $6 \begin{smallmatrix} +0,5 \\ -0 \end{smallmatrix}$ | $11,5 \begin{smallmatrix} +0 \\ -1 \end{smallmatrix}$ | 4 |
| 7/8 | 32 | $1,2 \pm 0,025$ | 6 | min. 1,5 | 8,5 | 50 | $6 \begin{smallmatrix} +0,5 \\ -0 \end{smallmatrix}$ | $6 \begin{smallmatrix} +0,5 \\ -0 \end{smallmatrix}$ | $13 \begin{smallmatrix} +0 \\ -1 \end{smallmatrix}$ | 4 |
| 10 | 35 | $1,5 \pm 0,035$ | 6 | min. 1,5 | 11 | 50 | $7,5 \begin{smallmatrix} +0,5 \\ -0 \end{smallmatrix}$ | $8 \begin{smallmatrix} +1 \\ -0 \end{smallmatrix}$ | $18,5 \begin{smallmatrix} +0 \\ -1,5 \end{smallmatrix}$ | 6 |
| 13 | 45 | $1,8 \pm 0,035$ | 6 | min. 1,5 | 11 | 50 | $9 \begin{smallmatrix} +0,5 \\ -0 \end{smallmatrix}$ | $9 \begin{smallmatrix} +1 \\ -0 \end{smallmatrix}$ | $17,5 \begin{smallmatrix} +0 \\ -1,5 \end{smallmatrix}$ | 7 |
| 16 | 60 | $1,8 \pm 0,035$ | 6 | min. 1,5 | 15 | 50 | $10 \begin{smallmatrix} +1 \\ -0 \end{smallmatrix}$ | $10 \begin{smallmatrix} +1 \\ -0 \end{smallmatrix}$ | $21,5 \begin{smallmatrix} +0 \\ -1,5 \end{smallmatrix}$ | 9 |



Safety spring for hooks type:
pewag: HSWI, HSK

| DIMENSIONS WITHOUT TOLERANCE ACCORDING TO ISO 2768-m | | | | | | | | | |
|--|-----------|------|------|--------------|----------|---------|--|-----------------------------------|-------------|
| THIS DESIGN IS THE PROPERTY OF PEWAG AND IS ONLY ALLOWED TO BE USED BY EXPRESS PERMISSION AND LICENCE FROM PEWAG | | | | PROJECT | | SURFACE | | SCALE : sketch | WEIGHT : |
| | | | | | | | | MATERIAL : | |
| | | | | CAD | DATE | NAME | | Safety spring for HSWI and HSK | |
| | | | | DRAWN | 05-02-16 | ZER | | | |
| | | | | CHKD | | | | | |
| | | | | RELSD. | | | | | |
| | | | | | | | | DRG. No. | SHEET |
| | | | | | | | | Sketch_05022016_ZER | |
| REV.No | REVISIONS | DATE | NAME | pewag | | | | REPLACING | REPLACED BY |
| | | | | | | | | | |