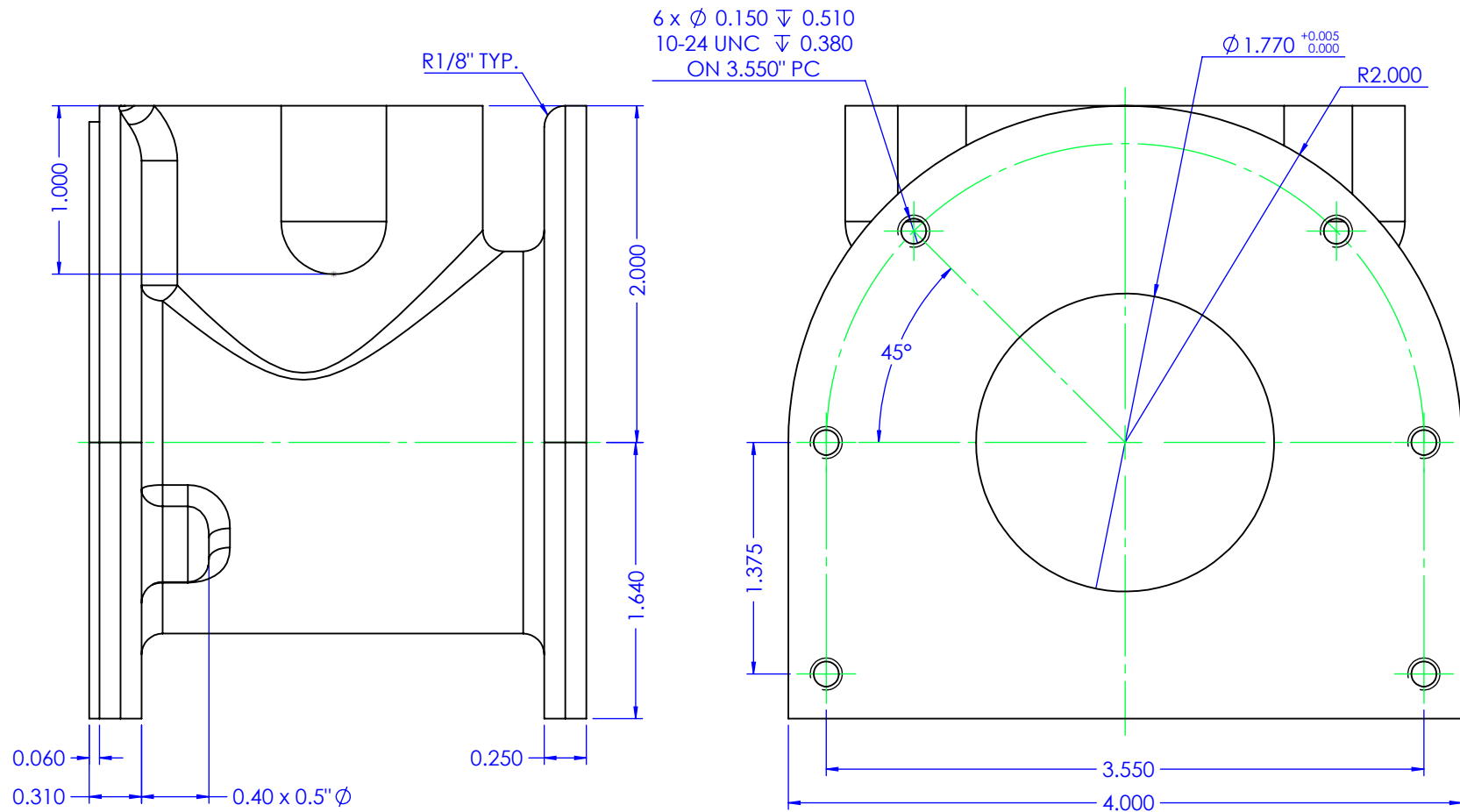
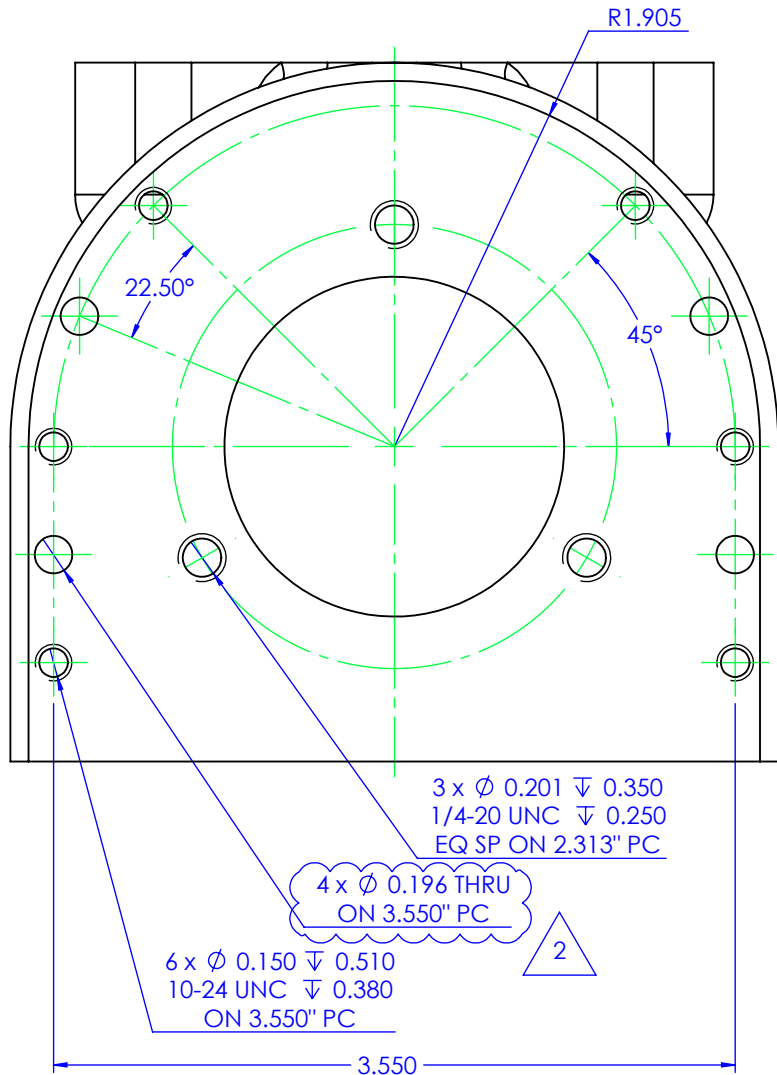
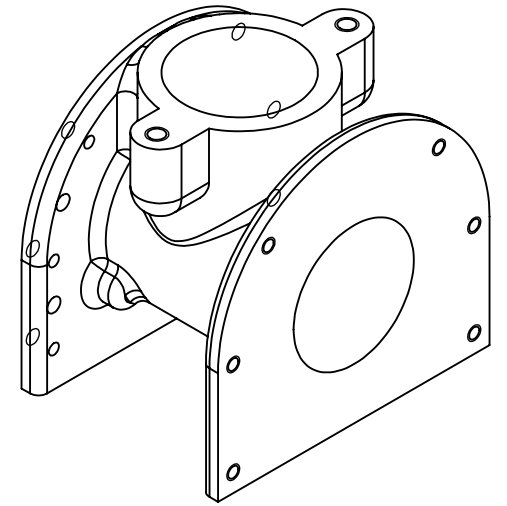
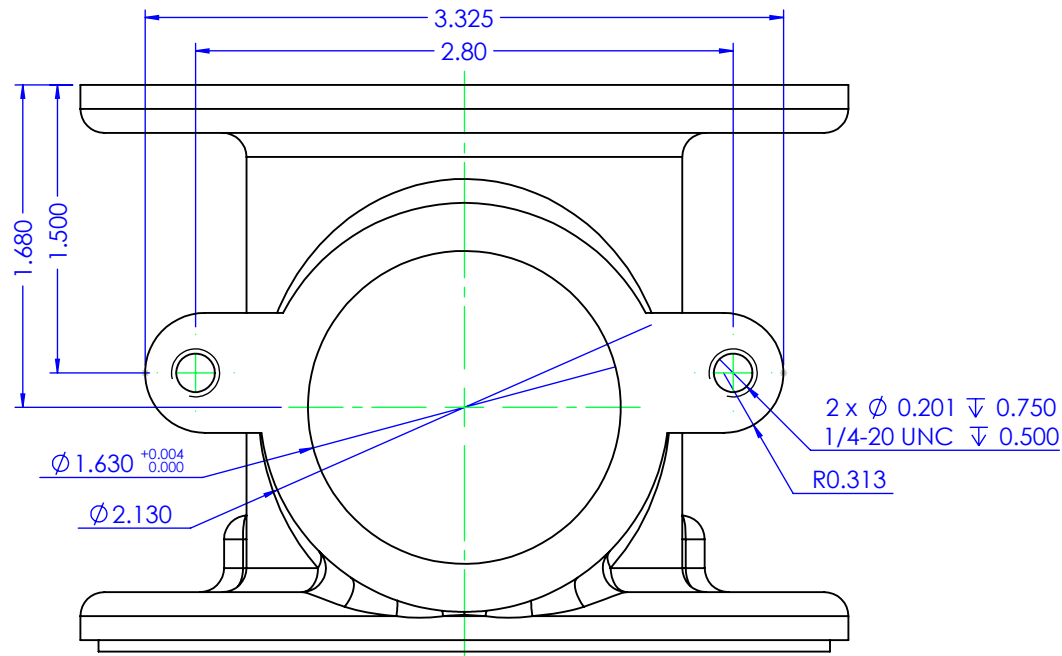


8 7 6 5 4 3 2 1



| | | | | |
|--|-----------|---|--------------|---|
| MATERIAL: AL 6061-T6 | ASSEMBLY: | DRAWN C. HURLBUT | 29/JUN/15 | TITLE: COFFEE GRINDER MODEL 050 AUGER HOUSING |
| UNLESS SPECIFIED: ANGULAR: $\pm .25^\circ$ ONE PLACE DECIMAL $\pm .010$ TWO PLACE DECIMAL $\pm .005$ THREE PLACE DECIMAL $\pm .002$ SURFACE FINISH: MAX 63 RMS REMOVE BURRS, SHARP EDGES CONCENTRICITY .005 T.I.R. | | DESIGN | | Ph: (780) 447-5079 |
| | | APPROVED | | 364596 ALBERTA LTD. |
| | | <small>THE INFORMATION CONTAINED IN THIS DRAWING IS THE PROPRIETARY AND CONFIDENTIAL PROPERTY OF NXT Roasters Inc. ANY REPRODUCTION, DISCLOSURE OR USE FOR ANY PURPOSE OTHER THAN ORIGINALLY INTENDED IS PROHIBITED WITHOUT WRITTEN PERMISSION OF NXT Roasters Inc.</small> | | DWG. NO. 500-01 |
| | | DO NOT SCALE DRAWING | | REV 2 |
| | | SCALE: 1:1 | WEIGHT: 1.09 | SHEET 1 OF 1 |

8 7 6 5 4 3 2 1