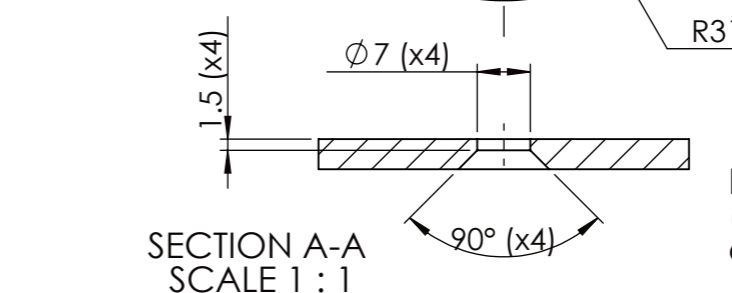
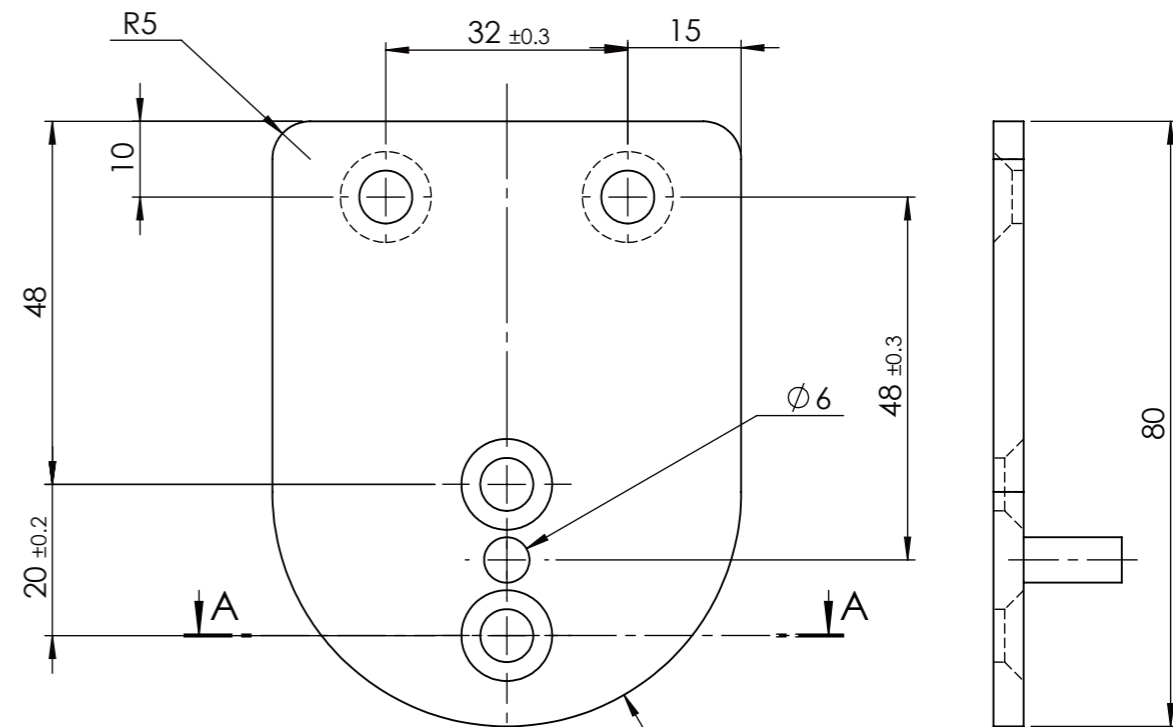
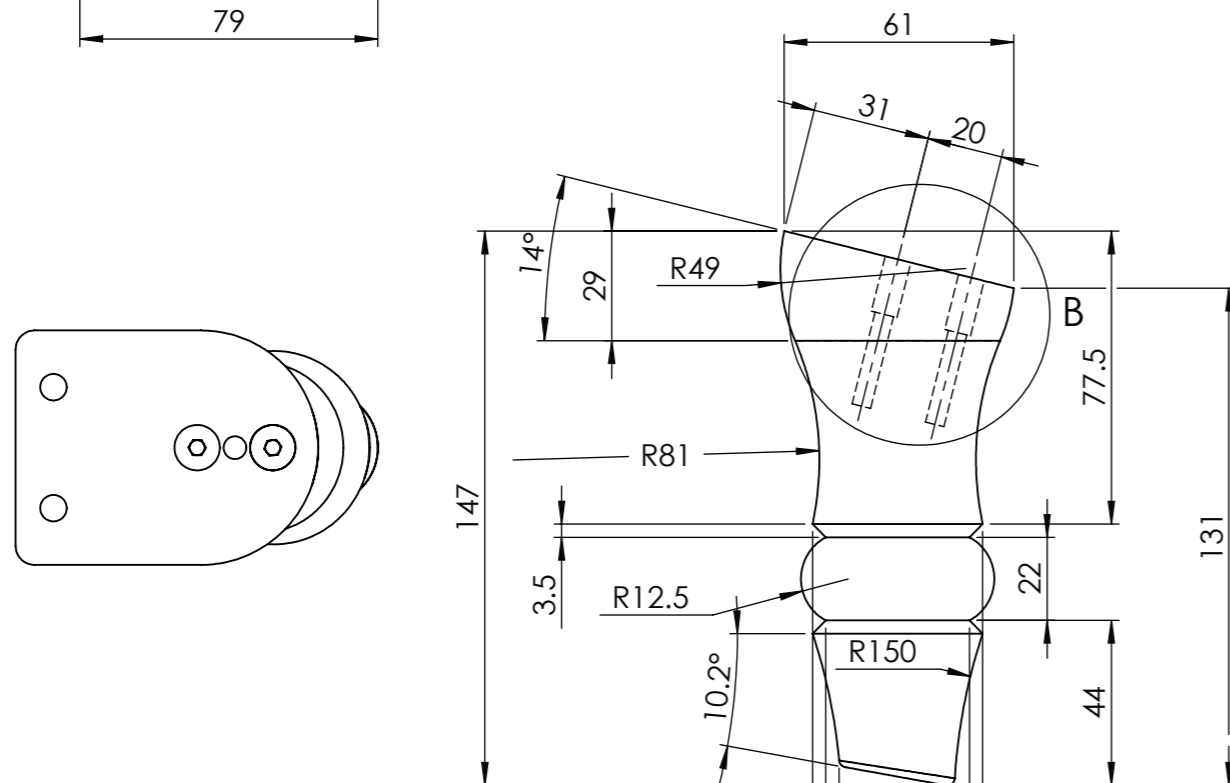
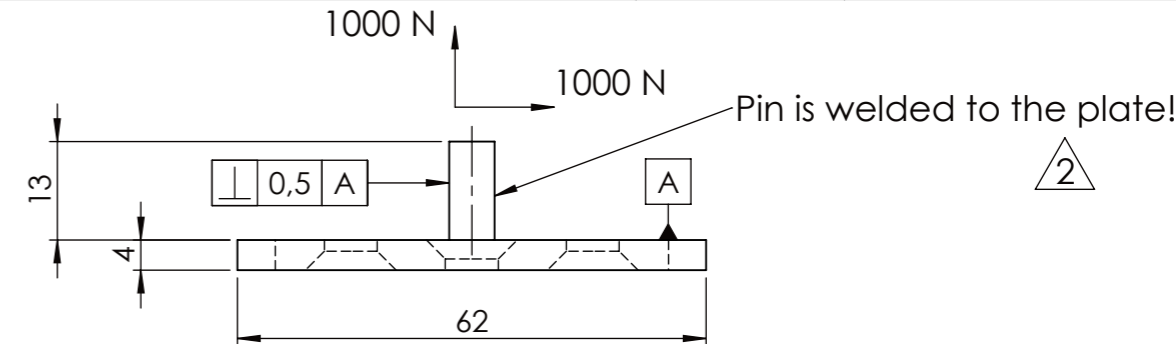
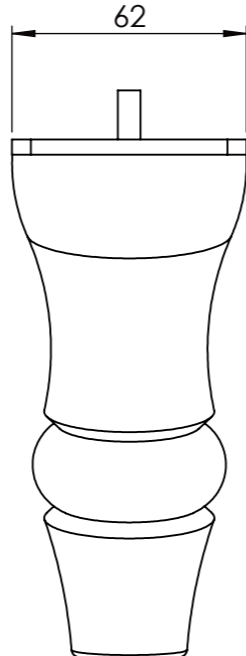
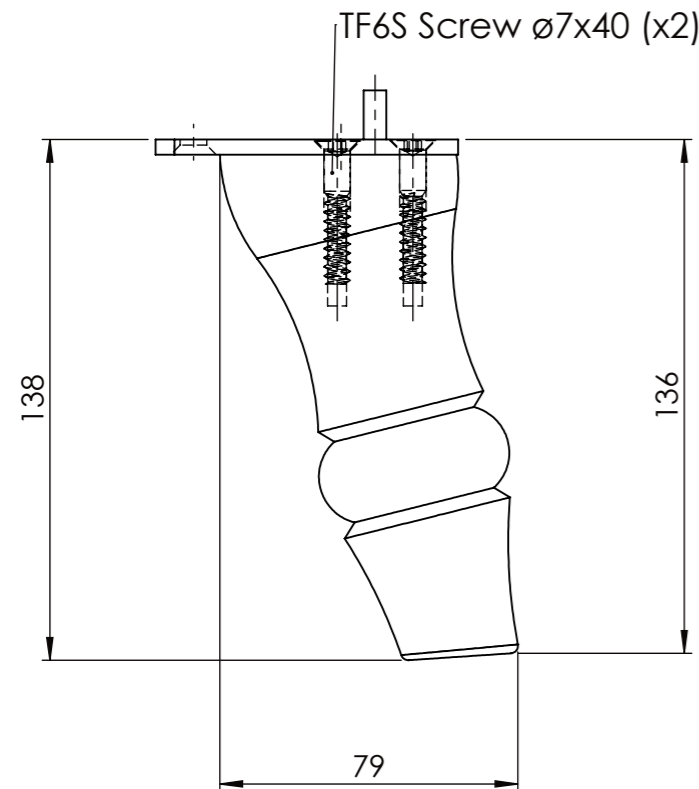
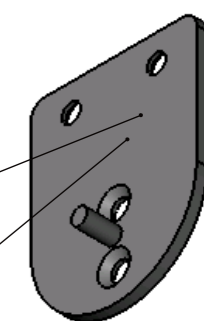


Item	Quantity	Revision Note	Revised date	Revised by
2	1	Added info regarding pin ass. to plate.	2014-04-24	Christer Lindström





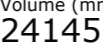
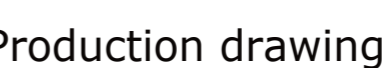
B-surface
(Opposite side is
a C-surface)

Measuring point



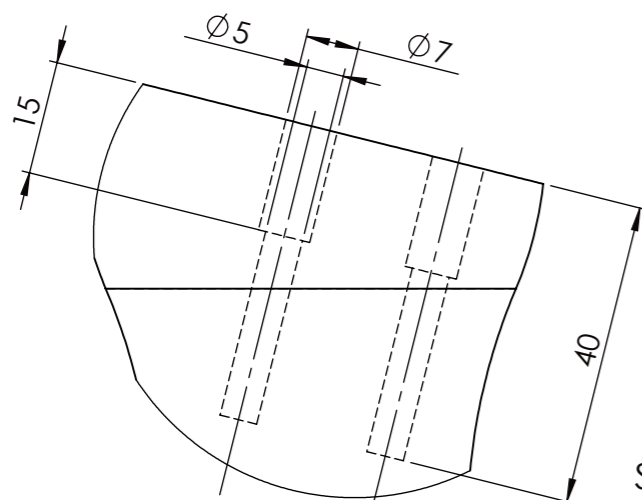
Iso view 1:2

All dimensions before powder coating
 A-, B- and C-surface requirements according to product text
 Surface area wooden leg = 25803.5 millimeters²
 Surface area metal plate = 10278.7 millimeters²
 Material and finish acc. to product description

Created by Christer Lindström	Created Date 2013-09-18	Approved by Christer Lindström	Approved Date 2014-04-25	Tolerance ISO 2768-c	
		Title LEG ϕ61x147/80x62			
 Surface Area (mm ²) 241453.2		 Volume (mm ³) 241453.2		Sheet 1/2	Size A3
 Production drawing				Scale 1:2	Document number PM-039969 -2
IKEA of Sweden AB				Edition	

A3

Measurements acc. to the SI systems
 This drawing is IKEA's property and is covered by industrial and intellectual property rights and should, without written consent from IKEA, in no way be copied, reproduced or communicated or otherwise used for any other purpose other than that which has been agreed.




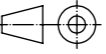
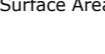
DETAIL B
SCALE 1:1

Item 2	Quantity 1	Revision Note Added info regarding pin ass. to plate.	Revised date 2014-04-24	Revised by Christer Lindström
-----------	---------------	--	----------------------------	----------------------------------

A3

Measurements acc. to the SI systems

This drawing is IKEA's property and is covered by industrial and intellectual property rights and should, without written consent from IKEA, in no way be copied, reproduced or communicated or otherwise used for any other purpose other than that which has been agreed.

Created by Christer Lindström	Created Date 2013-09-18	Approved by Christer Lindström	Approved Date 2014-04-25	Tolerance ISO 2768-c	
 IKEA of Sweden AB		Title LEG ø61x147/80x62			
		 Surface Area (mm ²)	 Volume (mm ³)	Sheet 2/2	Size A3
Interface drawing			Document number PM-039969	Edition -2	