

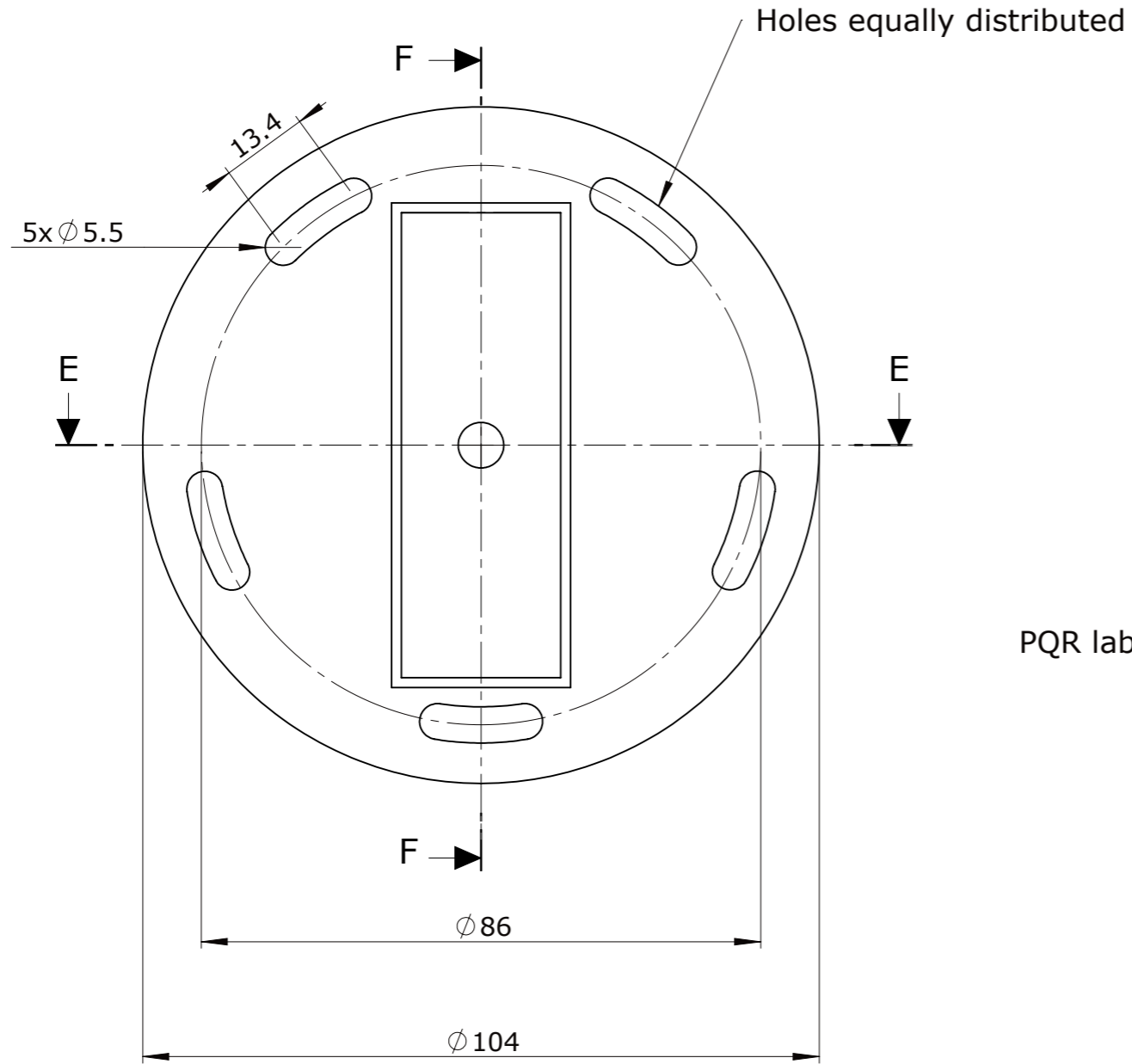
Approved Date
2013-08-15

Approved By
Anders Rundgren (anru)

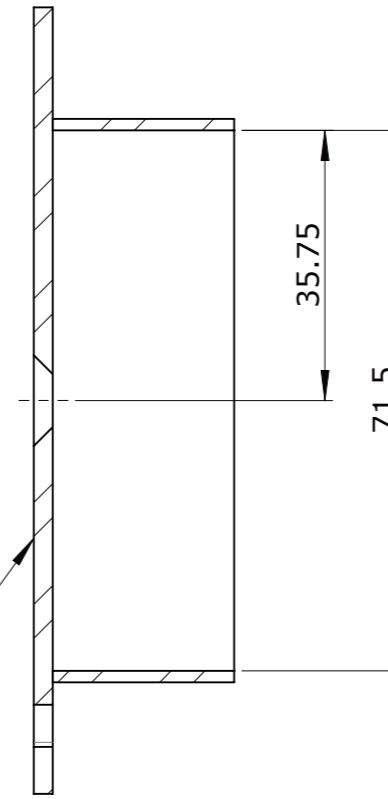
No. of Changes
1

Revision
3

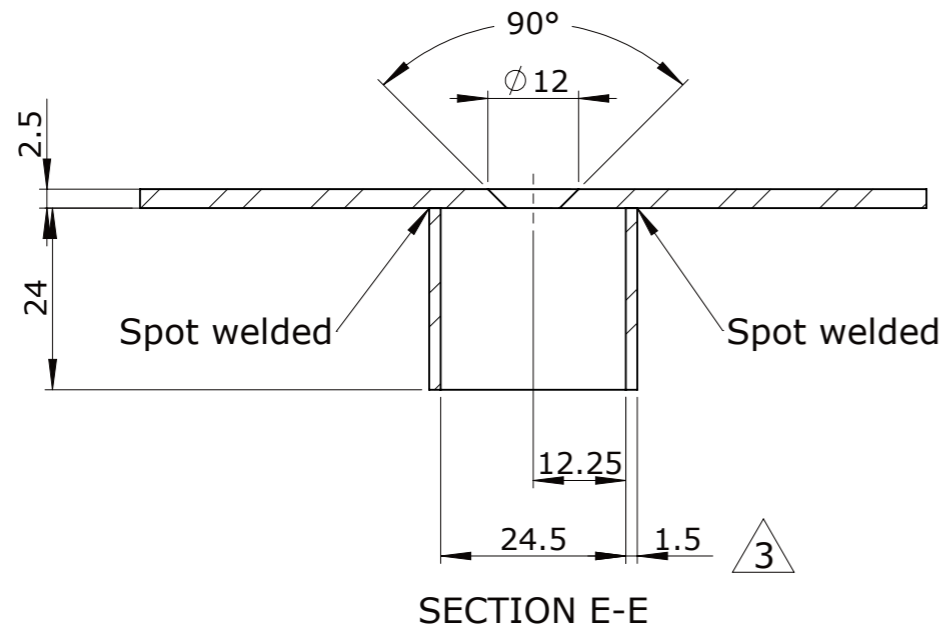
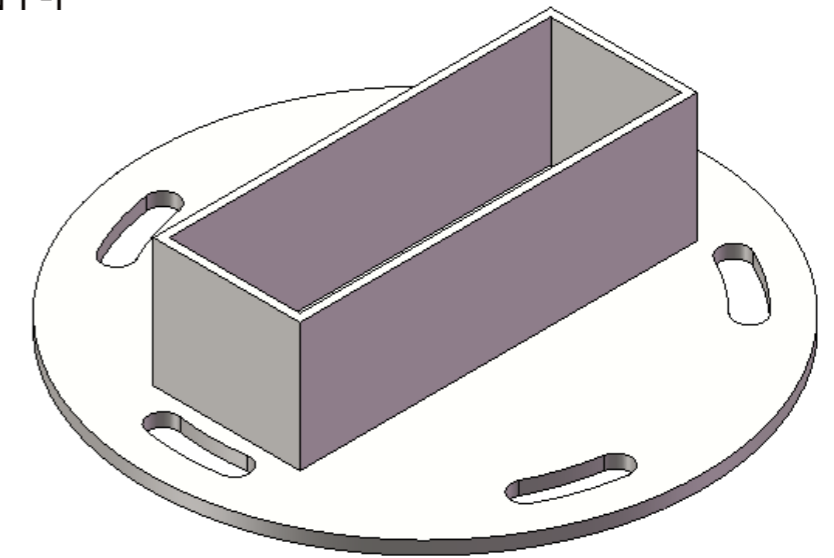
Checked By
Malou Jirsell (ojil)



PQR label on this surface



SECTION F-F



Tolerance
SS-ISO-2768-1 m

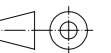
Scale
1:1

Replaces Document

Designed by
Tina Christensen

Product
leg
Fitting plate

Version
3.0
Sheet
1 (1)



Product name
LALLE

Model no.
01007179
Document number
AA-699360

A3

Measurements acc. to the SI systems
This drawing is IKEA's property and is covered by industrial and intellectual property rights and should, without written consent from IKEA, in no way be copied, reproduced or communicated or otherwise used for any other purpose other than that which has been agreed.