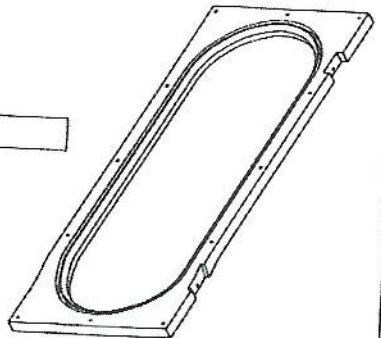
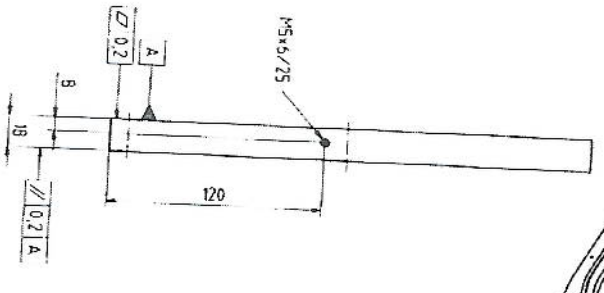
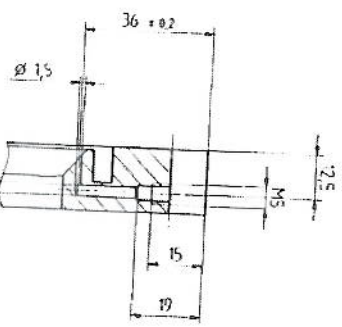
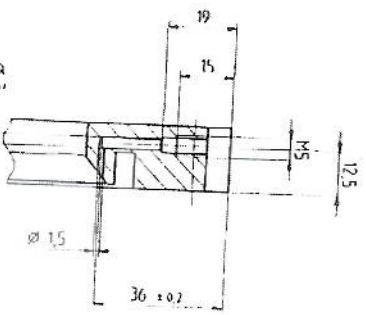
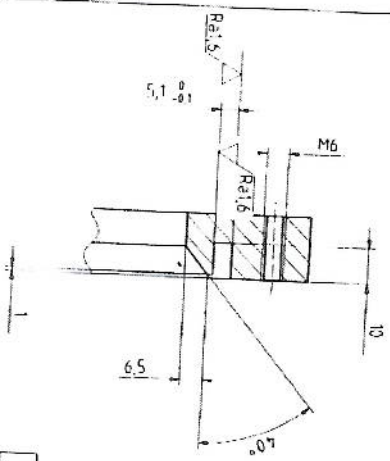
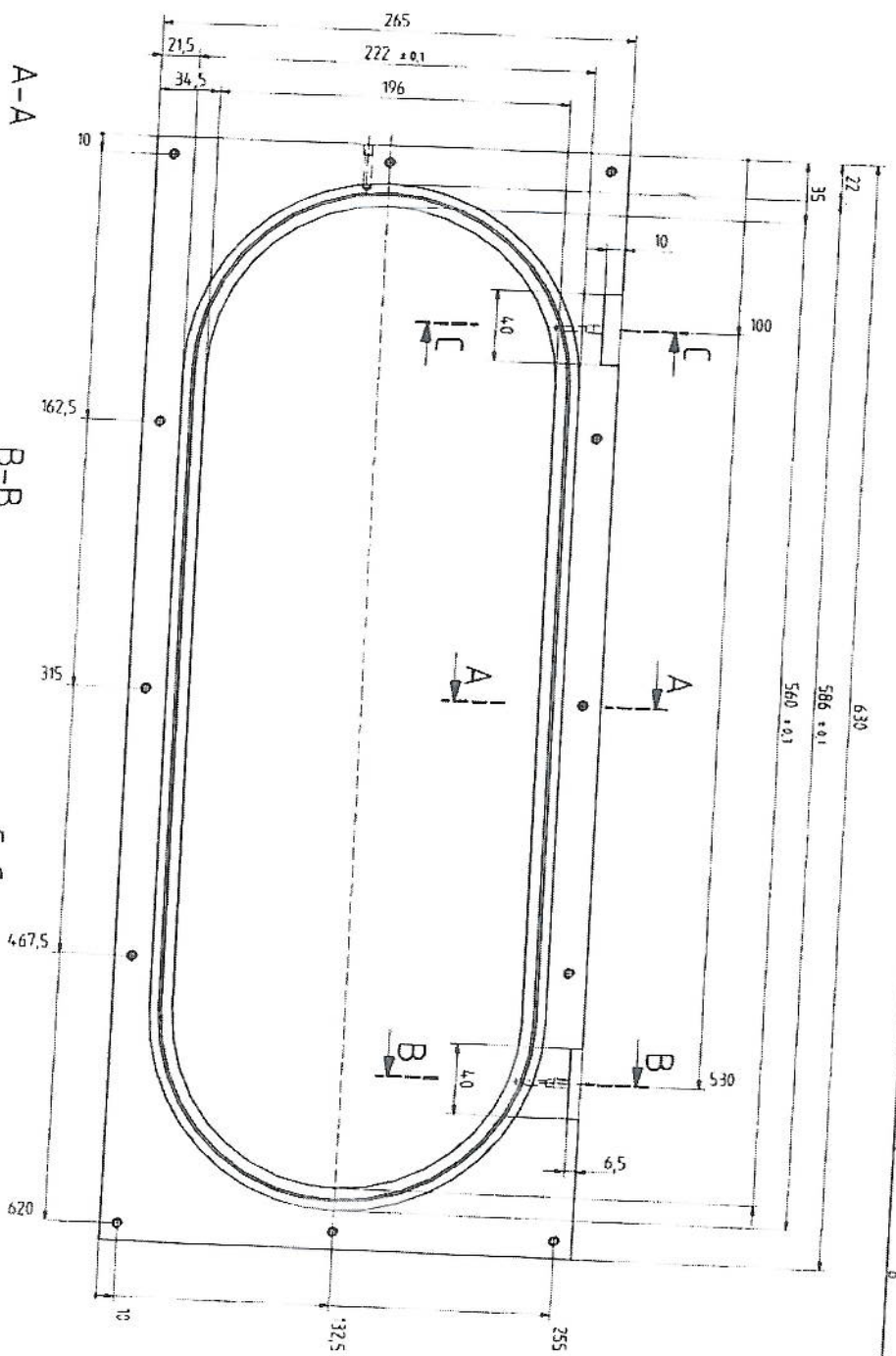


(57)



anodized: 15-20µm
 anodizzato
 - General tolerance for coordinates dimensions ± 0.2
 - Tolleranze generali per quotature in coordinate ± 0.2
 32
 0.1
 -0.3
 +0.1
 0.05-0.15

Tolerances ISO 7168 - m. deviator for dimensions without tolerances in mm

± 0.5	0.7	1.0	1.5	2.0	3.0	4.0	5.0	6.3	8.0	10	12.5	16	20	25	31.5	40	50	63	80	100	125	160	200	250	315	400	500	630	800	1000																																																																																																																																																																								
± 0.012	± 0.015	± 0.020	± 0.025	± 0.030	± 0.035	± 0.040	± 0.045	± 0.050	± 0.055	± 0.060	± 0.065	± 0.070	± 0.075	± 0.080	± 0.085	± 0.090	± 0.095	± 0.100	± 0.105	± 0.110	± 0.115	± 0.120	± 0.125	± 0.130	± 0.135	± 0.140	± 0.145	± 0.150	± 0.155	± 0.160	± 0.165	± 0.170	± 0.175	± 0.180	± 0.185	± 0.190	± 0.195	± 0.200	± 0.205	± 0.210	± 0.215	± 0.220	± 0.225	± 0.230	± 0.235	± 0.240	± 0.245	± 0.250	± 0.255	± 0.260	± 0.265	± 0.270	± 0.275	± 0.280	± 0.285	± 0.290	± 0.295	± 0.300	± 0.305	± 0.310	± 0.315	± 0.320	± 0.325	± 0.330	± 0.335	± 0.340	± 0.345	± 0.350	± 0.355	± 0.360	± 0.365	± 0.370	± 0.375	± 0.380	± 0.385	± 0.390	± 0.395	± 0.400	± 0.405	± 0.410	± 0.415	± 0.420	± 0.425	± 0.430	± 0.435	± 0.440	± 0.445	± 0.450	± 0.455	± 0.460	± 0.465	± 0.470	± 0.475	± 0.480	± 0.485	± 0.490	± 0.495	± 0.500	± 0.505	± 0.510	± 0.515	± 0.520	± 0.525	± 0.530	± 0.535	± 0.540	± 0.545	± 0.550	± 0.555	± 0.560	± 0.565	± 0.570	± 0.575	± 0.580	± 0.585	± 0.590	± 0.595	± 0.600	± 0.605	± 0.610	± 0.615	± 0.620	± 0.625	± 0.630	± 0.635	± 0.640	± 0.645	± 0.650	± 0.655	± 0.660	± 0.665	± 0.670	± 0.675	± 0.680	± 0.685	± 0.690	± 0.695	± 0.700	± 0.705	± 0.710	± 0.715	± 0.720	± 0.725	± 0.730	± 0.735	± 0.740	± 0.745	± 0.750	± 0.755	± 0.760	± 0.765	± 0.770	± 0.775	± 0.780	± 0.785	± 0.790	± 0.795	± 0.800	± 0.805	± 0.810	± 0.815	± 0.820	± 0.825	± 0.830	± 0.835	± 0.840	± 0.845	± 0.850	± 0.855	± 0.860	± 0.865	± 0.870	± 0.875	± 0.880	± 0.885	± 0.890	± 0.895	± 0.900	± 0.905	± 0.910	± 0.915	± 0.920	± 0.925	± 0.930	± 0.935	± 0.940	± 0.945	± 0.950	± 0.955	± 0.960	± 0.965	± 0.970	± 0.975	± 0.980	± 0.985	± 0.990	± 0.995	± 1.000

Tank's packing support

Doc. C/S	OUT	Scale	Panel	AI	ID - NP
Material	Al Mg 4.5 Mn	Art. or model	b.1	Wass in kg	ATZ
General tolerances	ISO 7168 - mH	General tolerances for sheet	ISO 7168 - EX	Type	
Eng. Tec.	P. 02 / Rep.	Rep. by		Date	Name
Drawn	27.95	Checked	--	Mod.	26.09.07
Checked	--	Entered	--	SALETTI L.	AZ
EUROD 2.3	DAF	SALETTI L.	AZ		