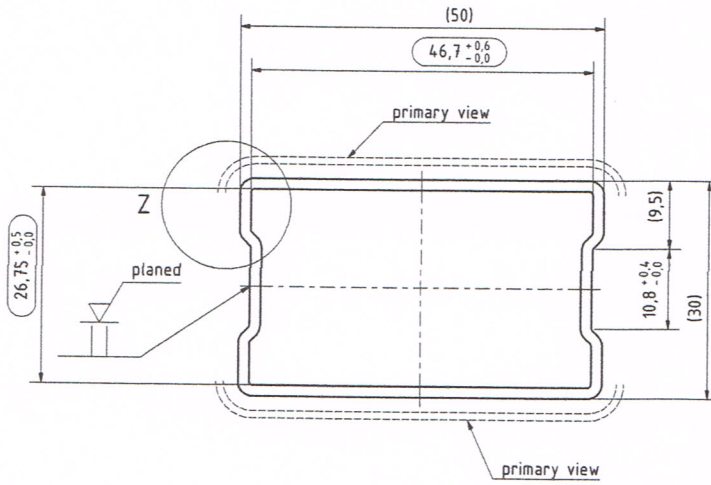
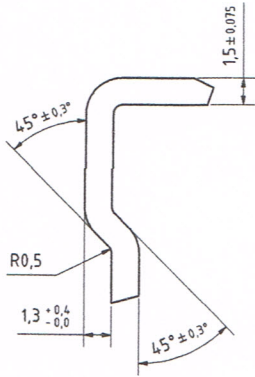


Z ( 5 : 1 )



draft

this drawing is only for request

material: S220GD

surface: AZ185+.....

thickness: ~1,5mm ± 0,075

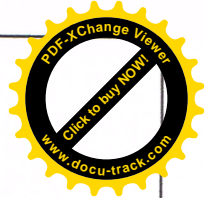
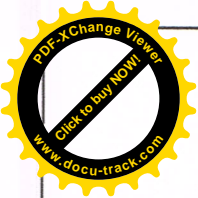
Weight: ~1,81 Kg/m

length of delivery: 6m (+10/0)

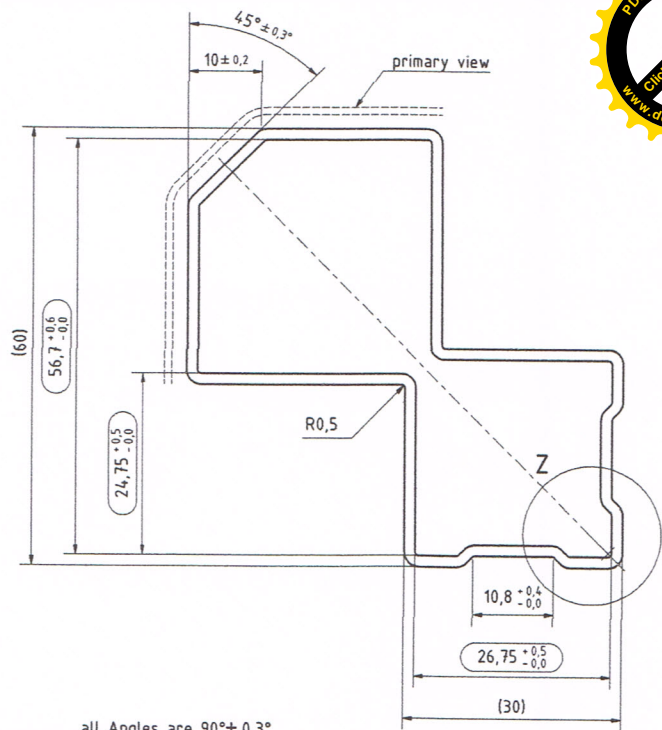
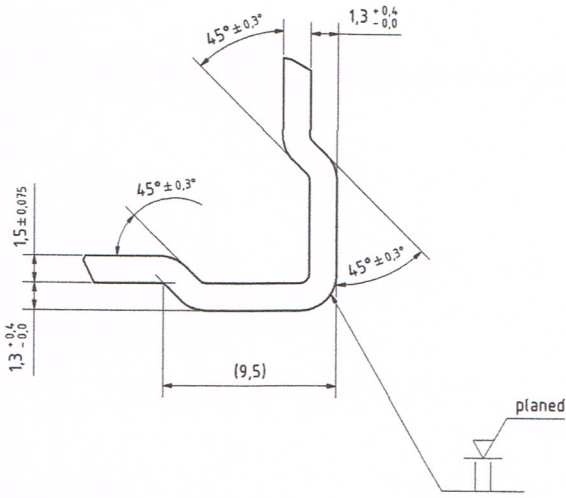
all Angles are 90°± 0,3°

all undimensioned outside radius are R2± 0,3

GENERAL TOLERANC DIN EN 10385-5 ALL DIMENSIONS ARE IN MILLIMETERS		○ = Inspection dimensions	Displayed size:	
replaced:		Bend radius :		
Copyright according to ISO 16016		Progr.-Nu.:		
Responsible dept:	Technical reference	Document type	Material:	
Created By hinze.kl	Reviewed	Approved	Document state WorkInProgress	Scale (main) 2:1
Title: ZP30U SYSTEM 50			Scale (sub) 5:1	
Revision			Date	Lang Sheet
0 0			19.12.2016	d e 1 of 1



Z (5 : 1)



this drawing is only for request

material: S220GD

surface: AZ185+.....

thickness:  $1.5\text{mm} \pm 0.075$

Weight:  $\sim 2.67 \text{ Kg/m}$

length of delivery:  $6\text{m} (+10/0)$

draft

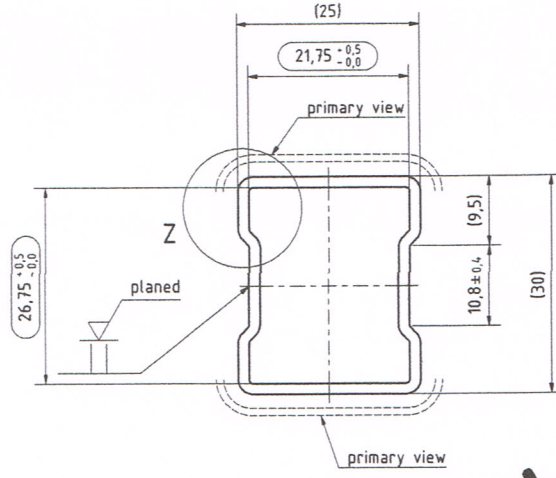
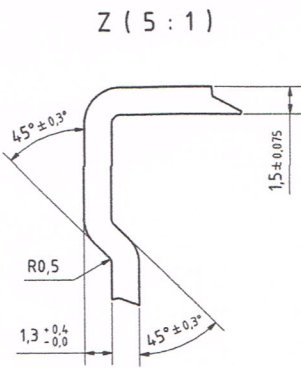
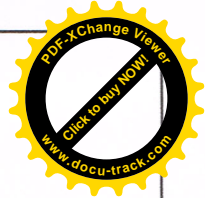
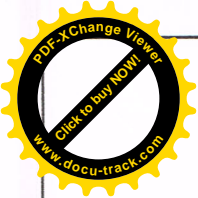
all Angles are  $90^\circ \pm 0.3^\circ$

all undimensioned outside radius are  $R2 \pm 0.3$

GENERAL TOLERANCE DIN EN 10305-5 ALL DIMENSIONS ARE IN MILLIMETERS		<input type="checkbox"/> = inspection dimensions	Displayed size:	
replaced:		Bend radius :		
Copyright according to ISO 16016		Progr.-Nu.:		
Responsible dept:	Technical reference	Document type	Material:	
Created By hinze.kl	Reviewed	Approved	Document state WorkInProgress	Scale (main) 2:1 Scale (sub) 5:1
Title KP60U SYSTEM 50			Revision 00	Date 19.12.2016
			Lang de	Sheet 1 of 1







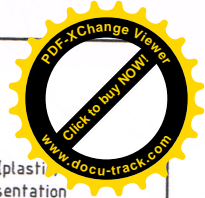
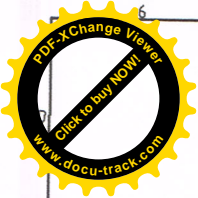
draft

this drawing is only for request

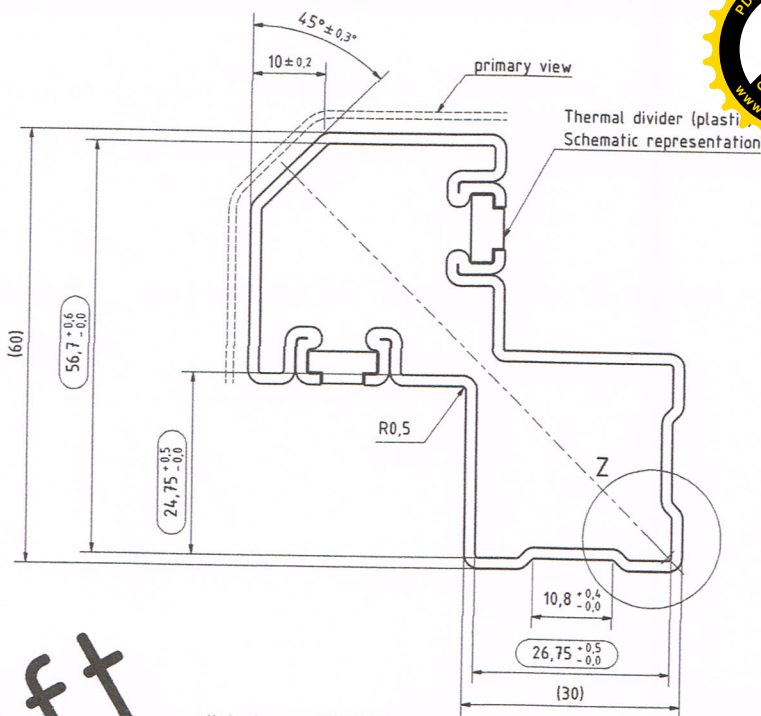
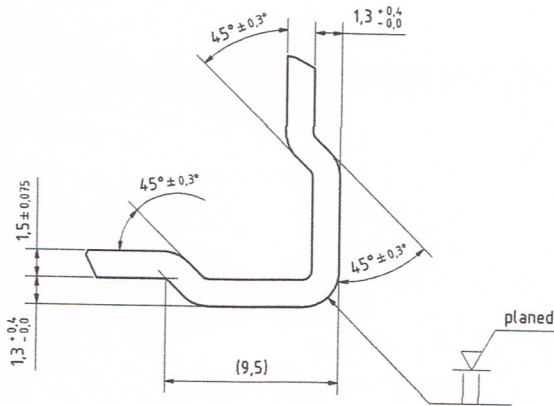
material: S220GD  
 surface: AZ185+.....  
 thickness:  $-1,5\text{mm} \pm 0,075$   
 Weigth:  $\sim 1,22 \text{ Kg/m}$   
 length of delivery: 6m (+10/0)

all Angles are  $90^\circ \pm 0,3^\circ$   
 all undimensioned outside radius are  $R2 \pm 0,3$

GENERAL TOLERANC DIN EN 10365-5 ALL DIMENSIONS ARE IN MILLIMETERS		○ = inspection dimensions	Displayed size:	
replaced:		Bend radius :		
Copyright according to ISO 16016		Progr.-Nu.:		
Responsible dept	Technical reference	Document type	Material:	
Created By hinze.kl	Reviewed	Approved	Document state WorkInProgress	Scale (main) 2:1 Scale (sub) 5:1
Title: KP30T SYSTEM 50			Revision 00	Date 19.12.2016
			Lang. de	Sheet 1 of 1



Z (5 : 1)



draft

this drawing is only for request

material: S220GD ; plastic  
surface: AZ185+.....

thickness: 1,5mm ± 0,075

Weight: ~3,21 Kg/m (Steel) , ~0,1 Kg/m (plastic)

length of delivery: 6m (+10/0)

all Angles are 90° ± 0,3°

all undimensioned outside radius are R2 ± 0,3

GENERAL TOLERANC DIN EN 10305-5 ALL DIMENSIONS ARE IN MILLIMETERS		○ = Inspection dimensions	Displayed size:	
replaced:		Bend radius :		
Copyright according to ISO 16016		Progr.-Nu.:		
Responsible dept:	Technical reference	Document type	Material:	
Created By hihze.kl	Reviewed	Approved	Document state WorkInProgress	Scale (main) 2:1 Scale (sub) 5:1
Title KP60G SYSTEM 50			Revision	Date
			00	19.12.2016
			Lang	Sheet
			de	1 of 1