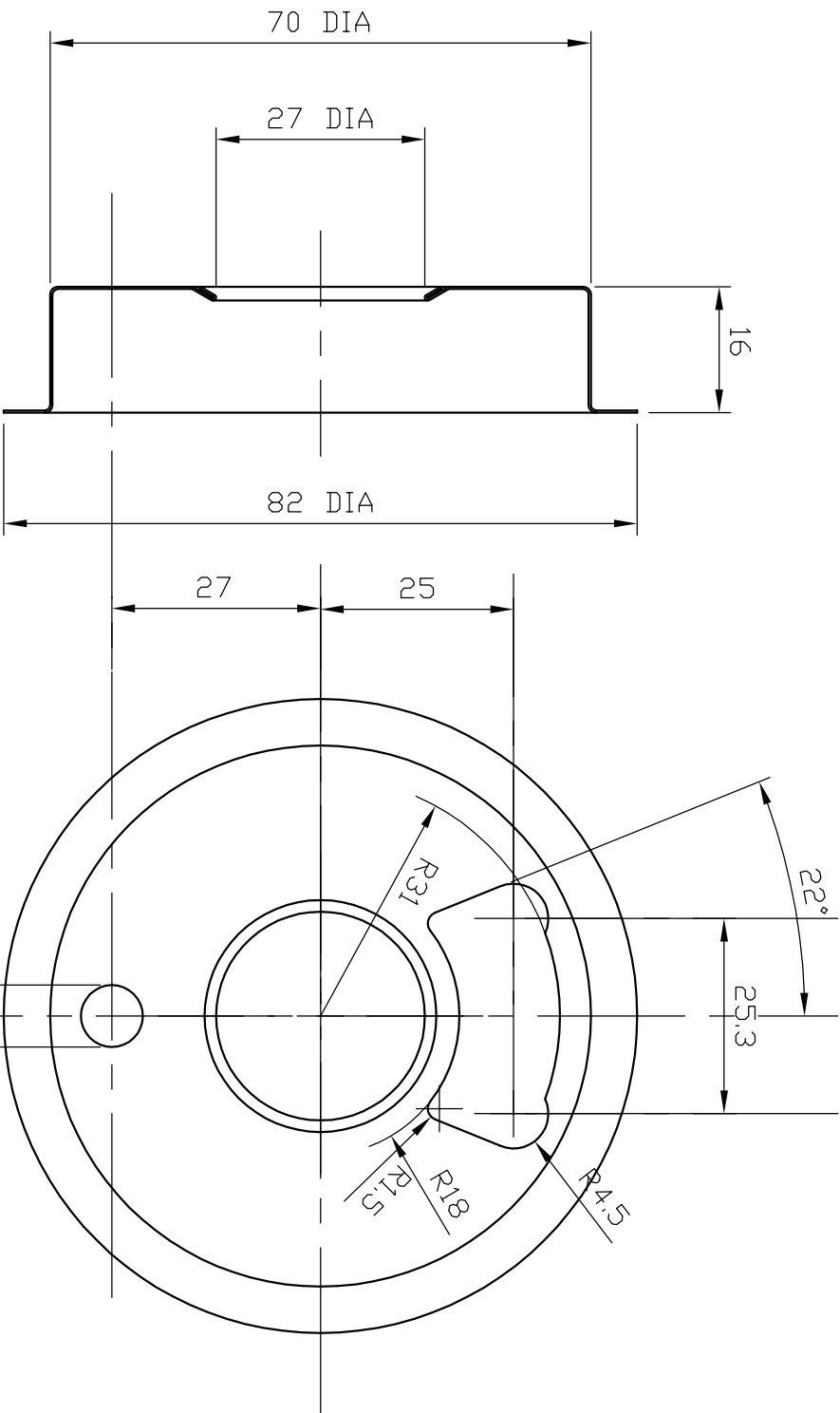


IF IN DOUBT ASK



Drawn KJB Date 06/11/03 Material STEEL 0.3 THICK
Authorised Date Finish TIN PLATE

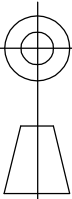
TOLERANCES 1 Dec. ±
Ang. ± 2 Dec. ±

Scale 1/1
Title CUP (METAL DEEP)

06/11/03	KJB	Redrawn from V695-007-A4'	01
Date	By	Change	Iss

ALL DIMENSIONS IN MILLIMETERS

3rd Angle projection



UTILLUX

Drawing No.

CP-DMC

This drawing and the designs therein are the industrial property of Utillux. They may not be copied, used or disclosed without written permission from Utillux.