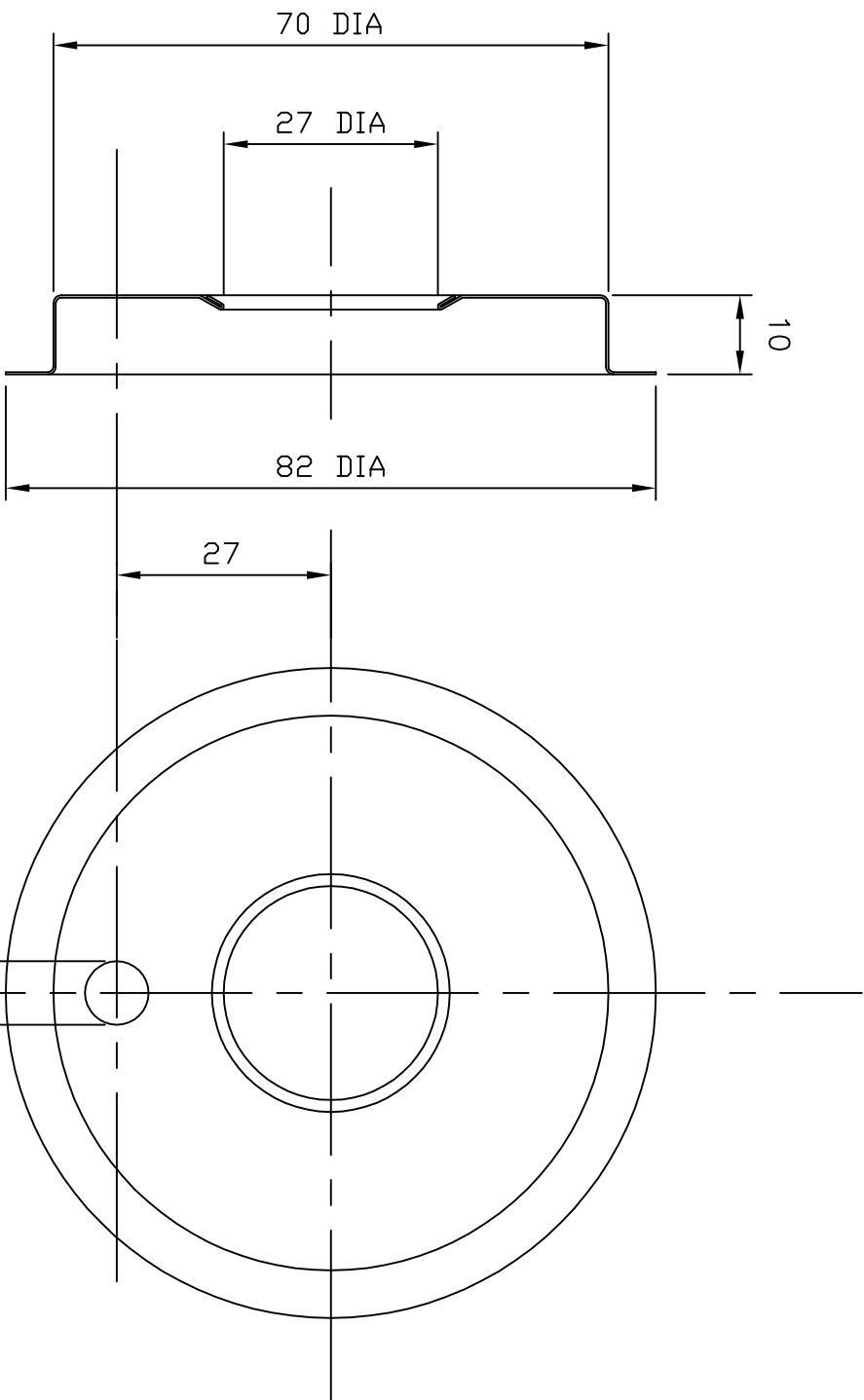


IF IN DOUBT ASK



Drawn KJB Date 06/11/03 Material STEEL 0.3 THICK
Authorised Date Finish TIN PLATE

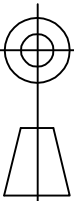
TOLERANCES 1 Dec. ±
Ang. ± 2 Dec. ±

Scale 1/1 Used on NARROW REELS
Title CUP (METAL SHALLOW)

| | | | |
|----------|-----|---------------------------|-----|
| 06/11/03 | KJB | Redrawn from V695-011-A4' | 01 |
| Date | By | Change | Iss |

ALL DIMENSIONS IN MILLIMETERS

3rd Angle projection



UTILLUX

Drawing No.

CP-SMC

This drawing and the designs therein are the industrial property of Utillux. They may not be copied, used or disclosed without written permission from Utillux.