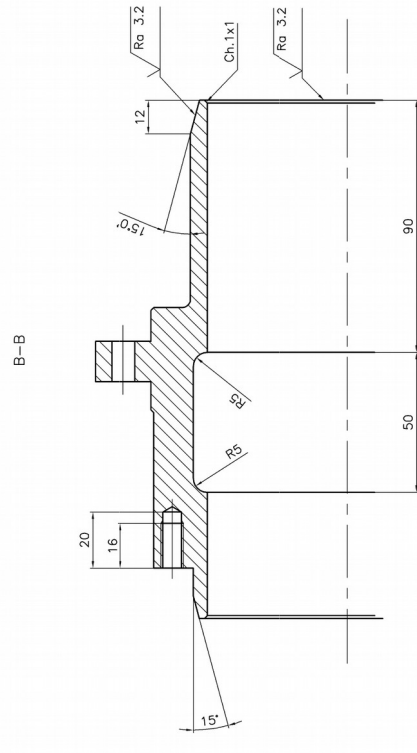
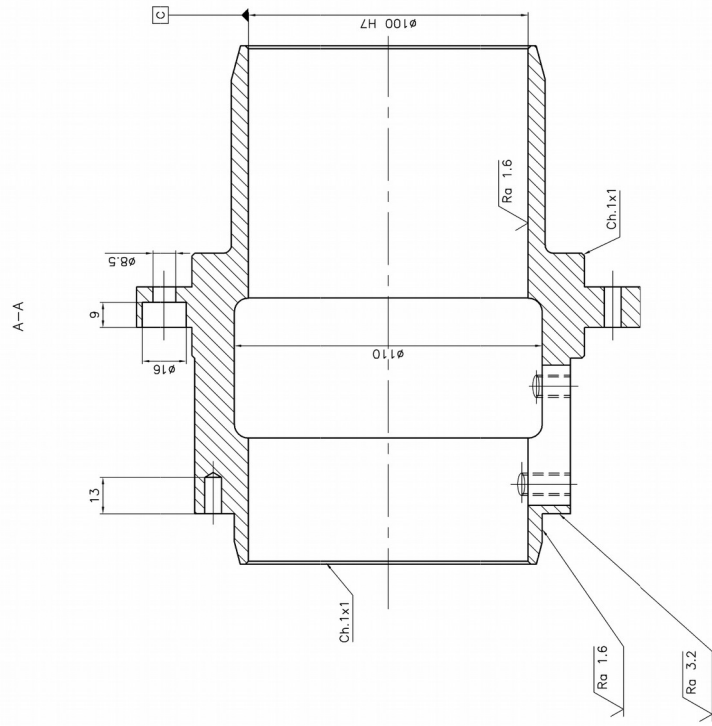
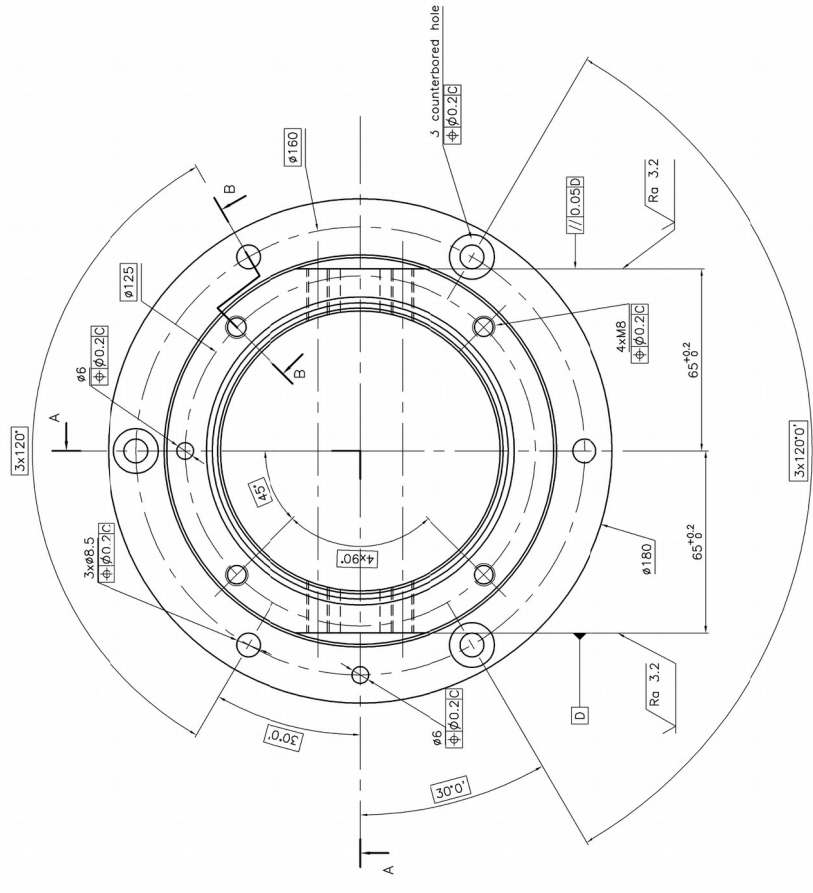
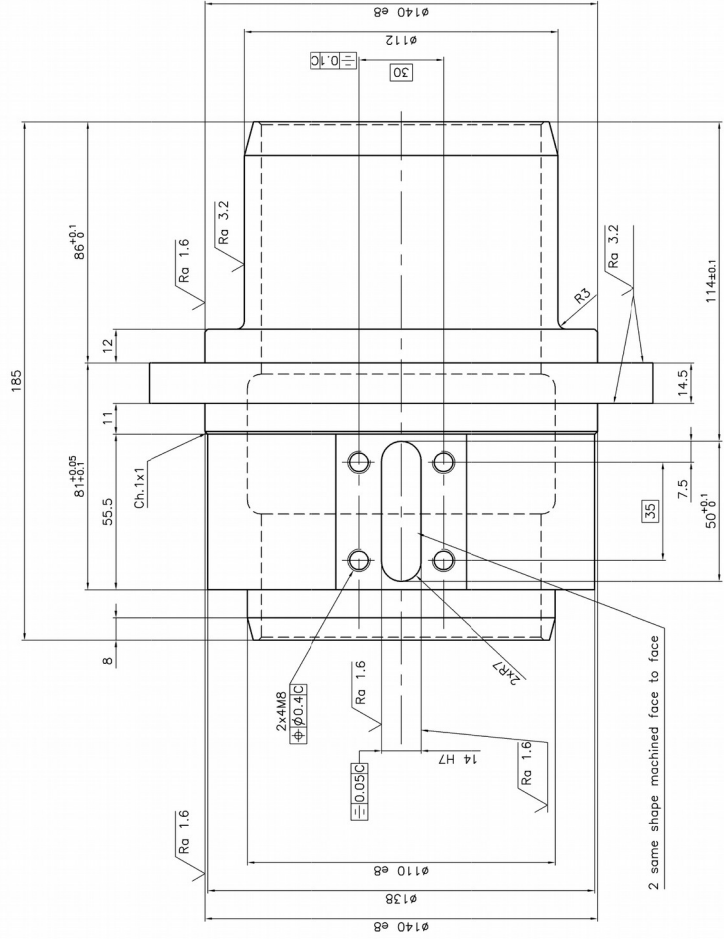


Item F14  
Material : Steel C35 E or AISI 1045 or AISI 1144

√ Ra 3.2  
unless otherwise specified



| No.      | Mod. | By | Date | Modification |
|----------|------|----|------|--------------|
| 01323-0  |      |    |      |              |
| 01323-1  |      |    |      |              |
| 01323-2  |      |    |      |              |
| 01323-3  |      |    |      |              |
| 01323-4  |      |    |      |              |
| 01323-5  |      |    |      |              |
| 01323-6  |      |    |      |              |
| 01323-7  |      |    |      |              |
| 01323-8  |      |    |      |              |
| 01323-9  |      |    |      |              |
| 01323-10 |      |    |      |              |
| 01323-11 |      |    |      |              |
| 01323-12 |      |    |      |              |
| 01323-13 |      |    |      |              |
| 01323-14 |      |    |      |              |
| 01323-15 |      |    |      |              |
| 01323-16 |      |    |      |              |
| 01323-17 |      |    |      |              |
| 01323-18 |      |    |      |              |
| 01323-19 |      |    |      |              |
| 01323-20 |      |    |      |              |
| 01323-21 |      |    |      |              |
| 01323-22 |      |    |      |              |
| 01323-23 |      |    |      |              |
| 01323-24 |      |    |      |              |
| 01323-25 |      |    |      |              |
| 01323-26 |      |    |      |              |
| 01323-27 |      |    |      |              |
| 01323-28 |      |    |      |              |
| 01323-29 |      |    |      |              |
| 01323-30 |      |    |      |              |
| 01323-31 |      |    |      |              |
| 01323-32 |      |    |      |              |
| 01323-33 |      |    |      |              |
| 01323-34 |      |    |      |              |
| 01323-35 |      |    |      |              |
| 01323-36 |      |    |      |              |
| 01323-37 |      |    |      |              |
| 01323-38 |      |    |      |              |
| 01323-39 |      |    |      |              |
| 01323-40 |      |    |      |              |

| Reference Number | Designation | Quantity | Unit |
|------------------|-------------|----------|------|
| 01323            | 02385 PF    |          | b    |

| Proj. No. | Date    | Scale |
|-----------|---------|-------|
| 01323     | 2-01-07 | 1:1   |

| Doc. No. | Rev. | Date    | By | Check |
|----------|------|---------|----|-------|
| 01323-0  | 01   | 2-01-07 |    |       |

| Proj. No. | Doc. No. | Rev. | Date    | By | Check |
|-----------|----------|------|---------|----|-------|
| 01323     | 02385 PF | 01   | 2-01-07 |    |       |