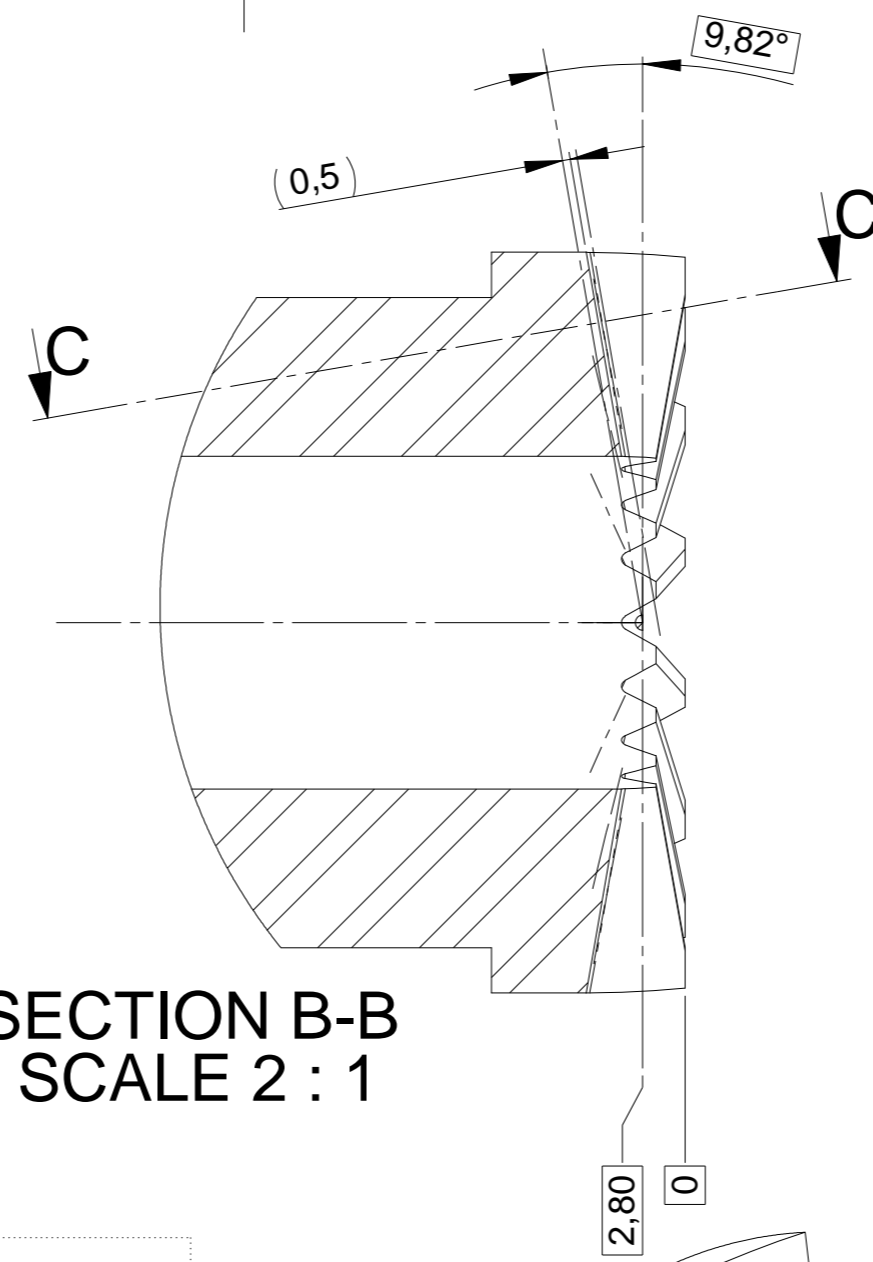
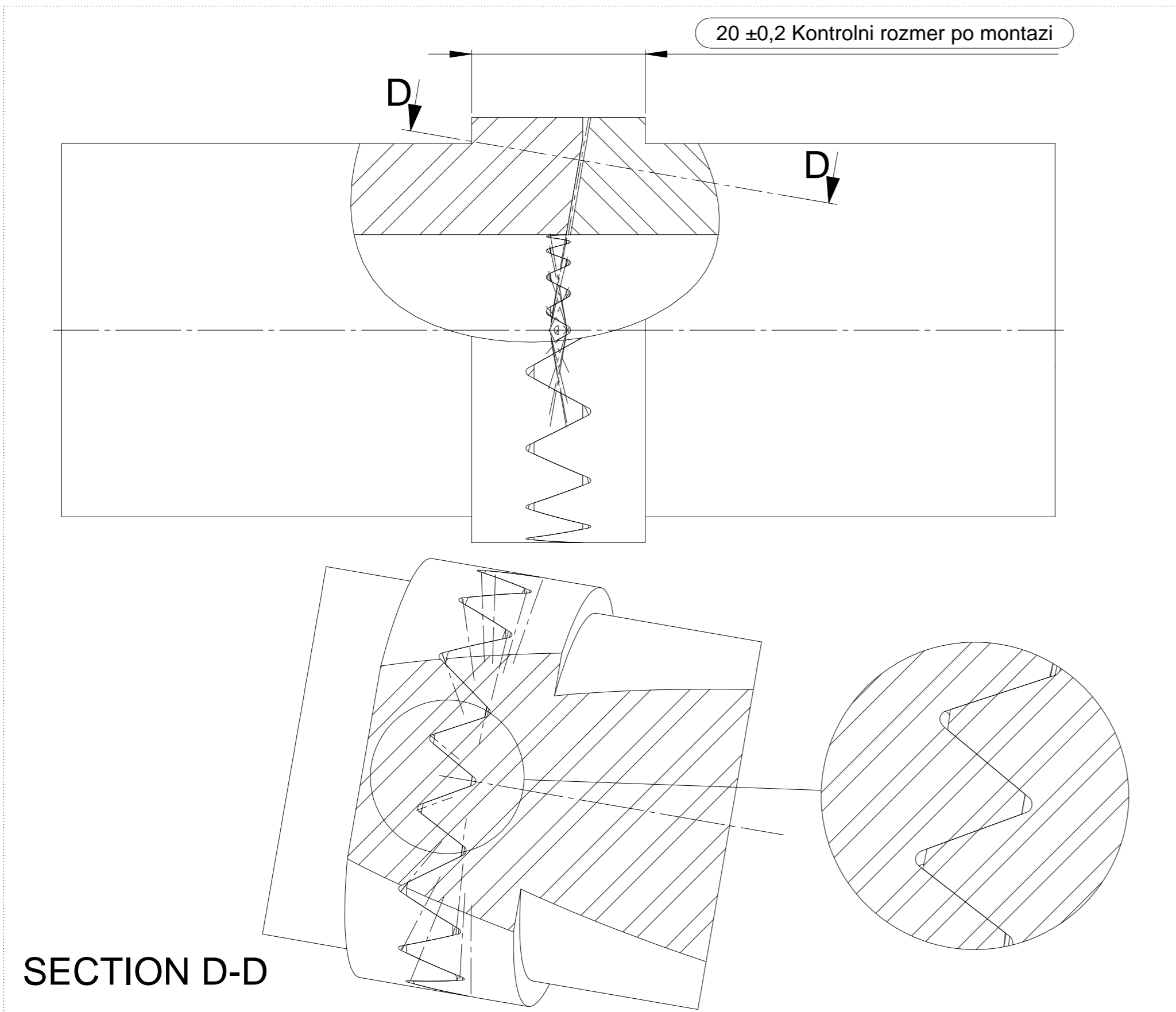
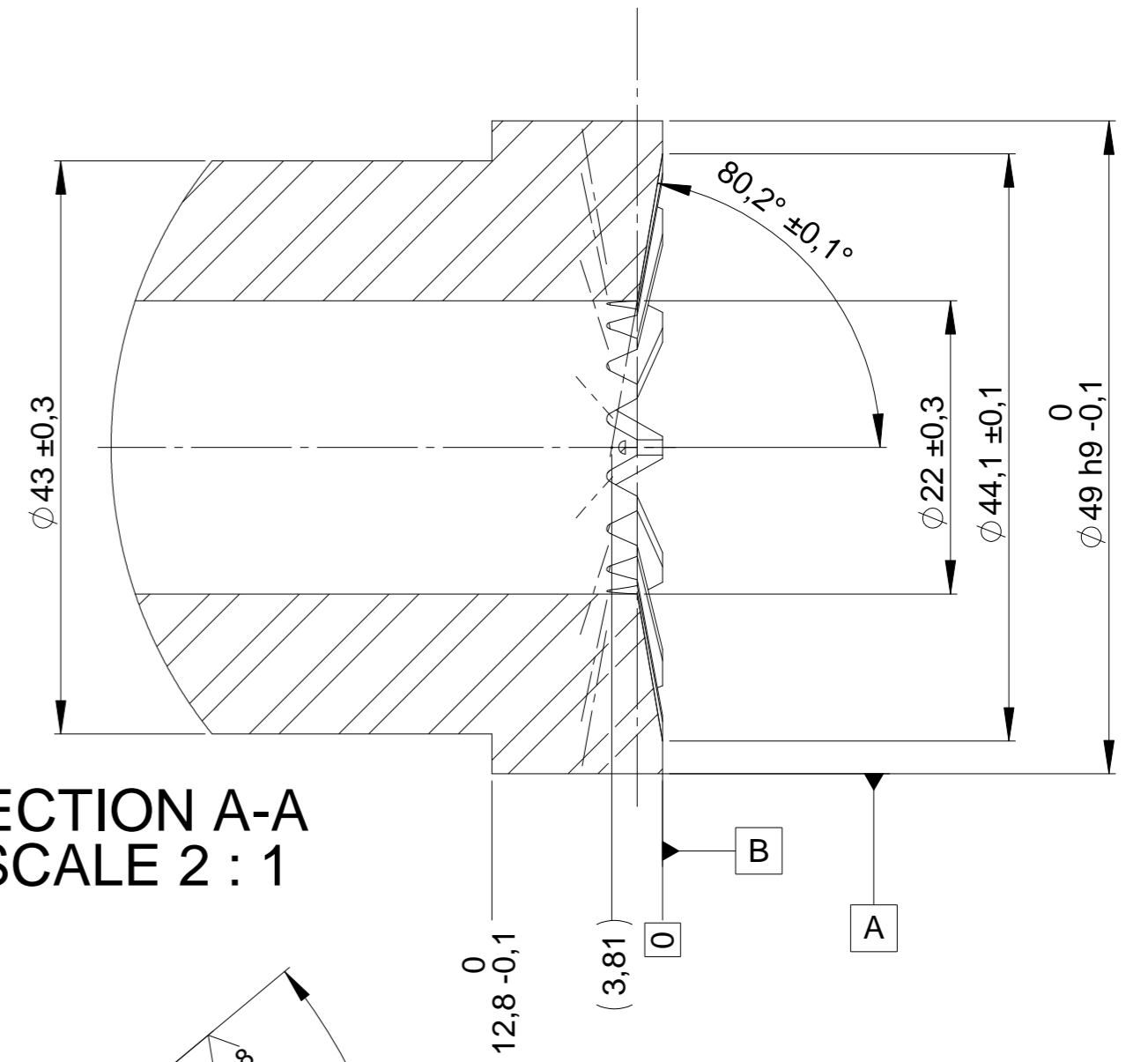


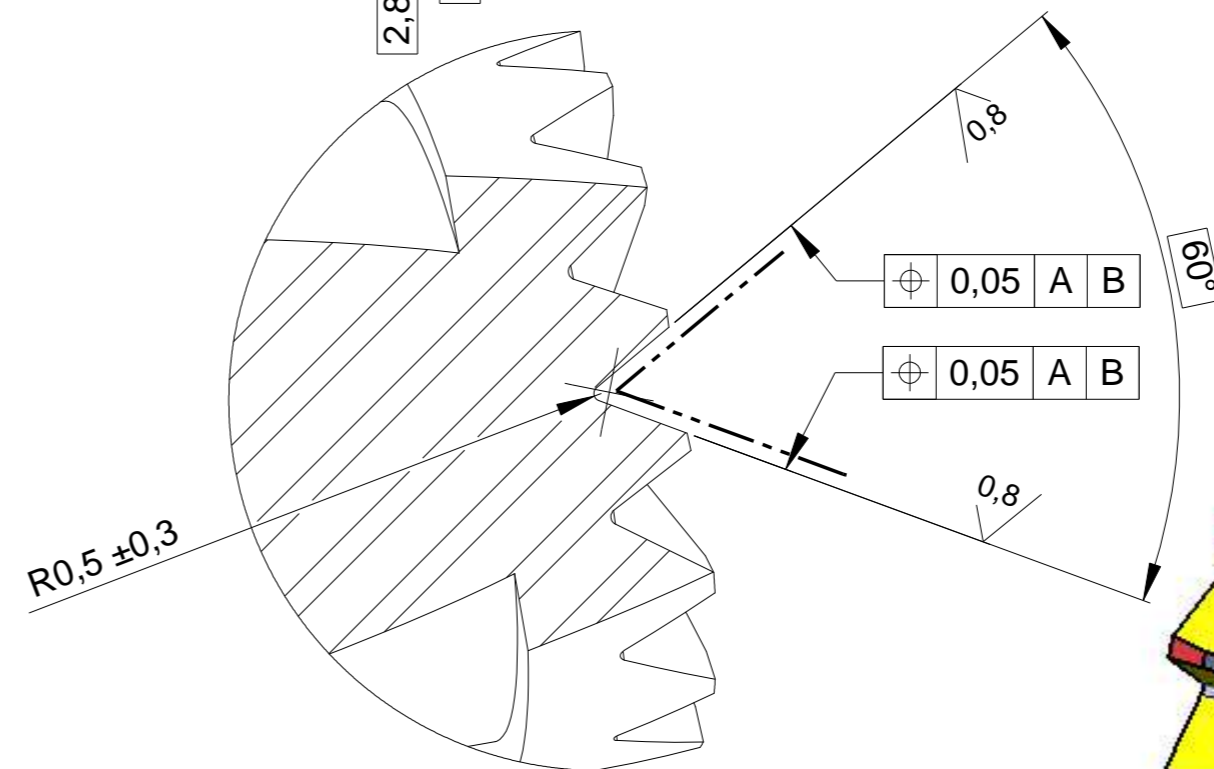
SECTION B-B  
SCALE 2 : 1



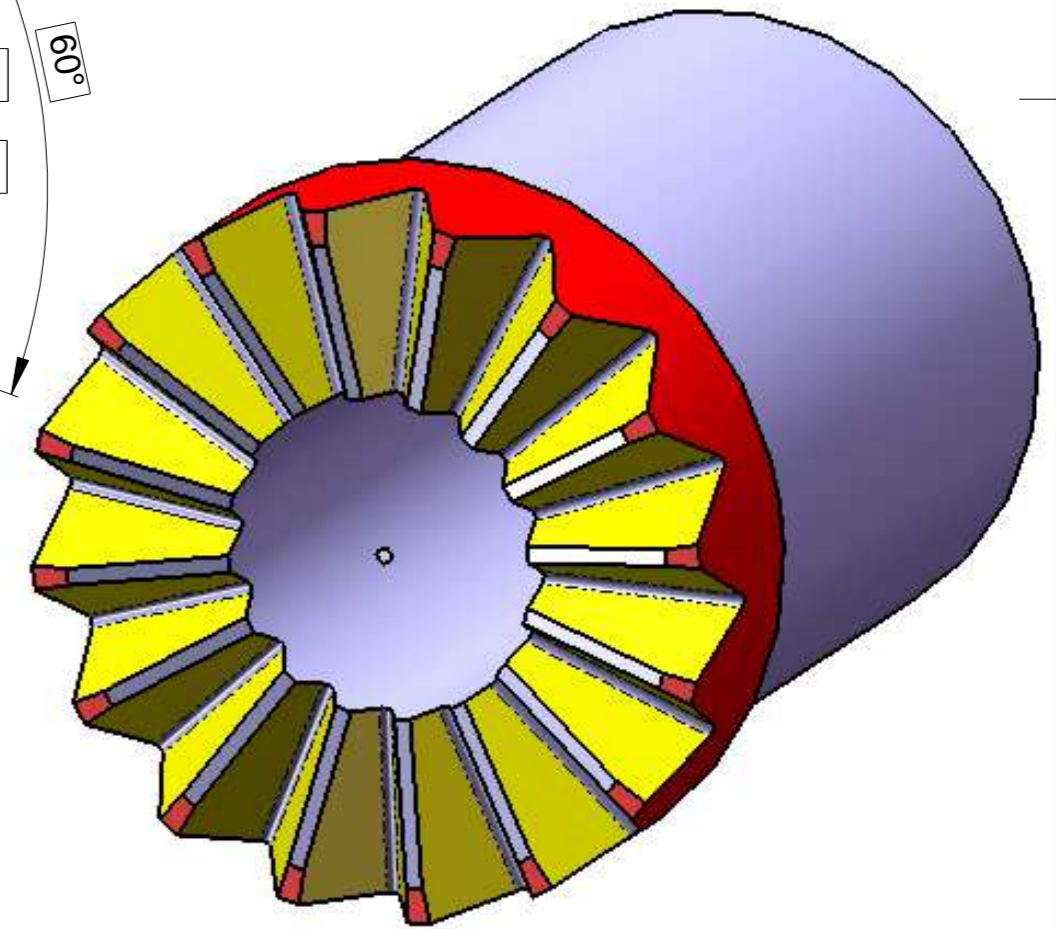
SECTION A-A  
SCALE 2 : 1



SECTION D-D



SECTION C-C  
SCALE 2 : 1



Kalit 62 ±3HRC hloubka 1,0 ±0,5



A 11.5.2017		FIRST REVISION		Novak	
Date	Revision	Name		Name	
The content of this technical document contains confidential information of T&T, Turnov s.r.o.. The recipient has to handle this data with care and as confidential and he is not allowed to either copy, nor hand over this data to any third party, nor to use for himself unless to work on a job for T&T, Turnov s.r.o.. Also the production and sell of parts based on this drawing is strictly prohibited.					
Scale: 2:1		Material: 1.1191 (C45)		Preform: -	
Date	Name	Artical No.:			
Autor: 11.5.2017	Novak				
Control: 11.5.2017	-				
Description:				Sheet 1 from 1	
GPS IS MACHINE				Size: A2 NX	
Pin Hirth					
Pusher					
General tolerances ISO 2768-mH		Drawing No.: 720-5-413			
		Assembly No.: T90000696			

6,3 ( 0,8 )