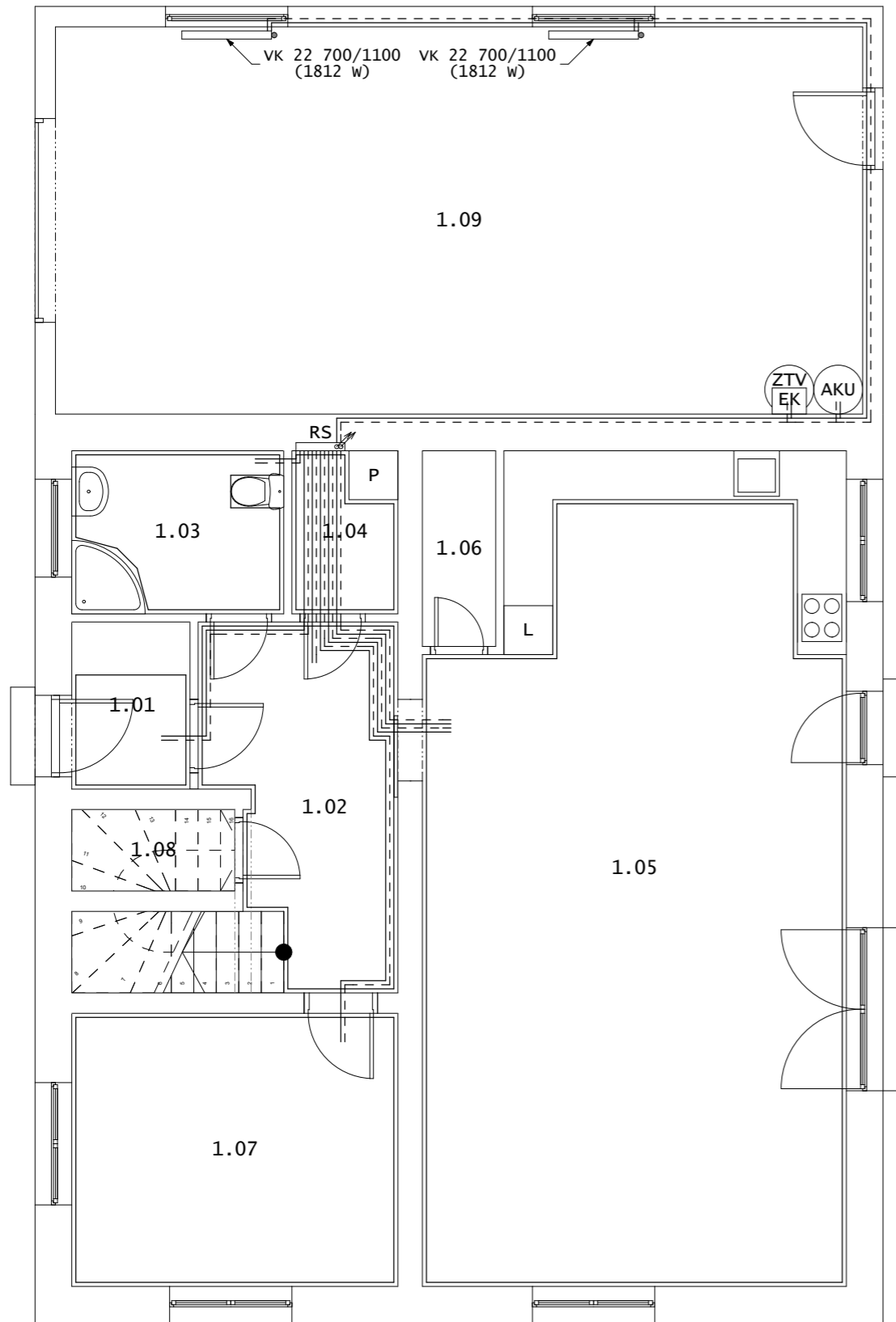


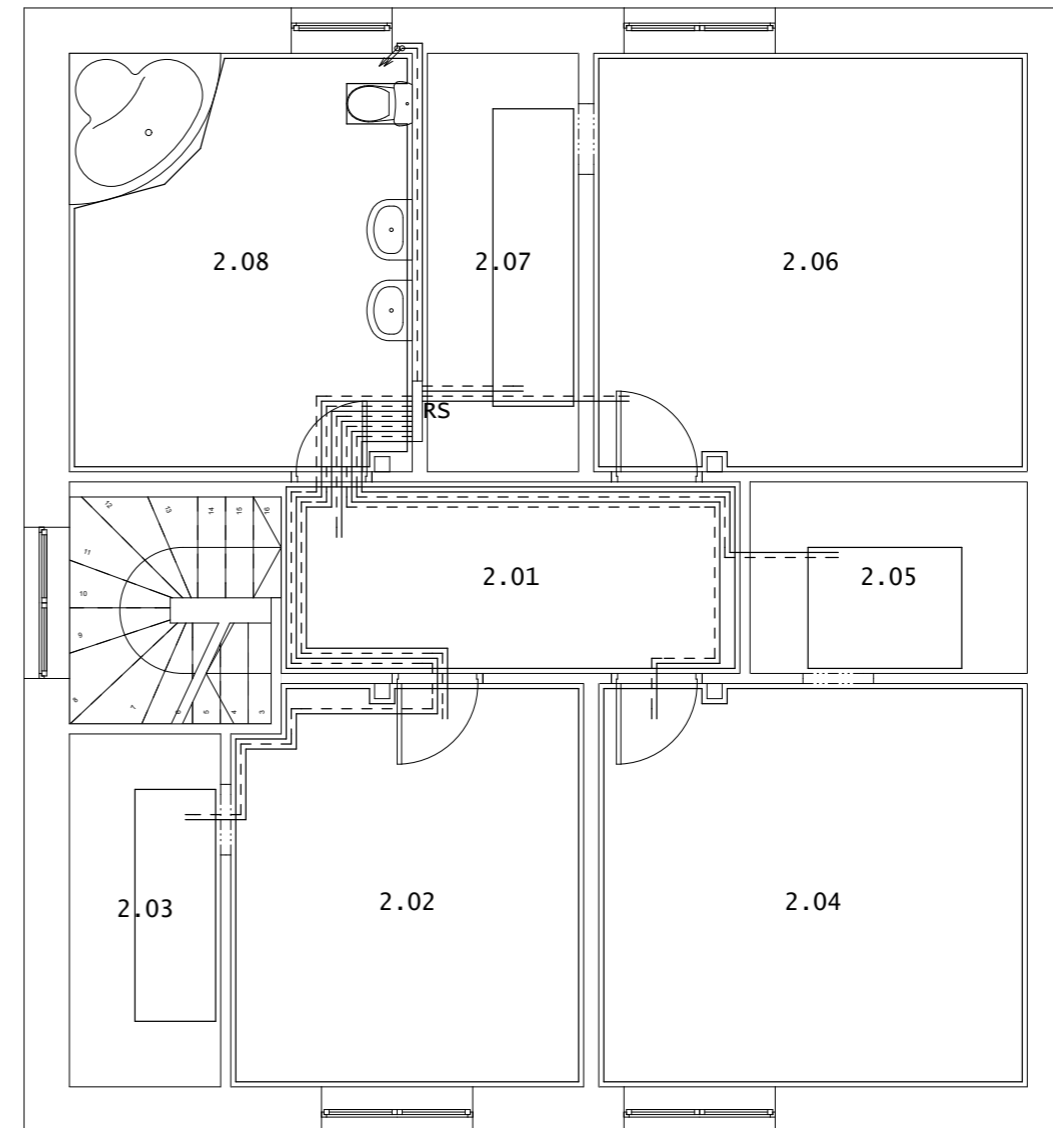
PŮDORYS VYTÁPĚNÍ; M 1:75

1.NP



1.01 OKRUH 1 ti = 18°C Sc = 2,97m ² S = 1,82m ² L = 19m l = 100mm Ø = 17x2,0 mm Q _r = 178 W Q _c = 192 W	1.02 OKRUH 2 ti = 18°C Sc = 11,85m ² S = 8,55m ² L = 86m l = 100mm Ø = 17x2,0 mm Q _r = 183 W Q _c = 238 W	1.03 OKRUH 3 ti = 24°C Sc = 5,20m ² S = 3,90m ² L = 78m l = 50mm Ø = 17x2,0 mm Q _r = 177 W Q _c = 209 W	1.04 OKRUH 4 ti = 18°C Sc = 2,60m ² S = 1,92m ² L = 20m l = 100mm Ø = 17x2,0 mm Q _r = 49 W Q _c = 61 W	1.05 OKRUH 5,6,7 ti = 20°C Sc = 51,07m ² S = 44,53m ² L = 3x100m l = 150mm Ø = 17x2,0 mm Q _r = 1391 W Q _c = 1654 W	1.07 OKRUH 8 ti = 20°C Sc = 13,40m ² S = 12,68m ² L = 84m l = 150mm Ø = 17x2,0 mm Q _r = 450 W Q _c = 519 W
---	--	--	---	--	---

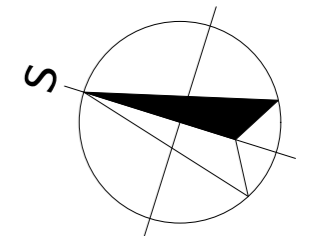
2.NP



2.01 OKRUH 1 ti = 18°C Sc = 8,64m ² S = 8,01m ² L = 80m l = 100mm Ø = 17x2,0 mm Q _r = 221 W Q _c = 221 W	2.02 OKRUH 2 ti = 20°C Sc = 13,75m ² S = 12,97m ² L = 86m l = 150mm Ø = 17x2,0 mm Q _r = 365 W Q _c = 365 W	2.03 OKRUH 3 ti = 20°C Sc = 5,25m ² S = 1,84m ² L = 37m l = 50mm Ø = 17x2,0 mm Q _r = 164 W Q _c = 164 W	2.04 OKRUH 4 ti = 20°C Sc = 17,00m ² S = 16,15m ² L = 107m l = 150mm Ø = 17x2,0 mm Q _r = 489 W Q _c = 489 W	2.05 OKRUH 5 ti = 20°C Sc = 5,23m ² S = 1,83m ² L = 37m l = 50mm Ø = 17x2,0 mm Q _r = 121 W Q _c = 121 W	2.06 OKRUH 6 ti = 20°C Sc = 17,84m ² S = 16,97m ² L = 112m l = 150mm Ø = 17x2,0 mm Q _r = 518 W Q _c = 518 W	2.07 OKRUH 7 ti = 20°C Sc = 6,23m ² S = 2,36m ² L = 48m l = 50mm Ø = 17x2,0 mm Q _r = 136 W Q _c = 136 W	2.08 OKRUH 8 ti = 24°C Sc = 14,11m ² S = 11,60m ² L = 116m l = 100mm Ø = 17x2,0 mm Q _r = 455 W Q _c = 455 W
---	---	--	--	--	--	--	--

LEGENDA

- PLASTOVÉ POTRUBÍ REHAU RAUTHERM S 17x2
TOPNÉ POTRUBÍ OD ROZVADĚČE + SMYČKA
- PLASTOVÉ POTRUBÍ REHAU RAUTHERM S 17x2
VRATNÉ POTRUBÍ OD SMYČKY KE SBĚRAČI
- RS ROZDĚLOVAČ TOPNÝCH OKRUHŮ REHAU
- EK ELEKTRICKÝ KOTEL
- ZTV ZÁSOBNÍK TUV 160l
- AKU AKUMULAČNÍ NÁDOBA



ZODP. PROJEKTANT	Ing. BLANKA KURKOVÁ		
VYPRACOVAL	MAREK RAZÍM		
INVESTOR: EVA BUKOVCOVÁ, OKRUŽNÍ 64 HLUČÍN 748 01 BEDŘICH BĚLOHRADSKÝ, MILÍNSKÁ 115, PŘÍBRAM 3 261 01			
NÁZEV AKCE: RODINNÝ DŮM	DATUM	8/2018	
p.č. 138/18 - k.ú. STAŠOV U ZDIC	STUPEŇ	DŮS, DOS	
NÁZEV VÝKRESU: PŮDORYS VYTÁPĚNÍ	MĚŘÍTKO	1:75	
	Č. VÝKRESU	D.1.4.1-B.6	