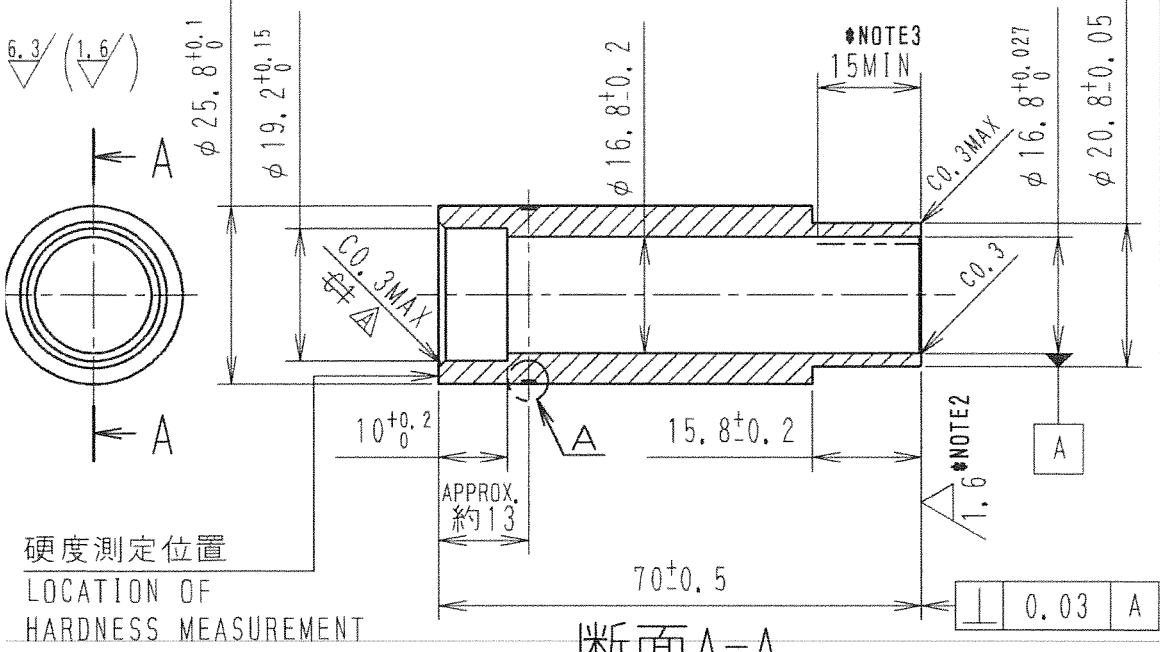


成個数を記入 ON THIS DRAWING \*改正記号ハ部品区分材料表ニヨル最新ノモノニヨルコト 補用対象部品ニハ「1」ヲ付与スル  
 SEE THE PARTS LIST FOR THE LATEST DWG. NO. FILL "1" FOR SPARE PARTS

| 品番<br>DWG. NO. | 部品管理<br>記号<br>ITEM MARK | 図面番号<br>DWG. NO.  | 一式<br>分個数<br>QUANT. | 名称<br>PART NAME             | 材質<br>MATERIAL | 記事<br>REMARK                    | 補用 |
|----------------|-------------------------|-------------------|---------------------|-----------------------------|----------------|---------------------------------|----|
|                | A                       | 本図ニヨル<br>THIS DWG | 1                   | 吸入管継手<br>SUCTION PIPE JOINT | C15E           | EN 10084<br><del>EN 10277</del> |    |



断面A-A  
SECTION

**REVISED**  
9:22 am, Feb 27, 2014

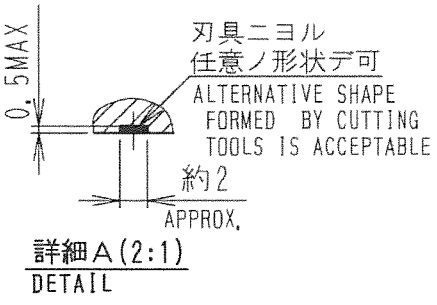
SECTION: PURCHASE  
UNCONTROL  
DATE: 4.11.2014 DDC

- NOTES: 1. カエリ, 錆ナキコト。  
 TO BE FREE FROM BURRS AND RUST.  
 2. コノ面ニ傷ナキコト。  
 TO BE FREE FROM FLAWS ON THIS SURFACE.  
 3.  $\phi 16.8^{+0.027}$ ノ範囲ヲ示ス。  
 THIS DIMENSION SPECIFIES THE RANGE OF  $\phi 16.8^{+0.027}$ .  
 4. 硬度: HRB56.2~81.0 (全試験力: 980.7N)  
 HARDNESS: HRB56.2~81.0 (TOTAL TEST FORCE: 980.7N)  
 5. 本部品ハ、指定化学物質ニ関スル購入品要案規格 ASB040004 ニ準拠スルコト。  
 TO CONFORM TO ASB040004.

加工剤、洗浄剤、防錆剤、包装仕様選定表示  
 Specification selection and indication for processing agent, cleaning agent, rust inhibitor, packaging

|   |                               |                        |                             |
|---|-------------------------------|------------------------|-----------------------------|
| 品ノ仕様、性質<br>Specification and characteristic of parts                          | 水分管理<br>Water content control | 必要<br>Need             | 不要<br>No need               |
| 耐錆性<br>Rust resistance  | 銅材<br>Copper material         | 銅材<br>Rusting material | 非銅材<br>Non-rusting material |
| 形態<br>Form  | 多孔質材<br>Porous material       | 積層材<br>Laminate        |                             |
| ソノ他 特記事項<br>Other special item  |                               |                        |                             |
| 箱機組込前洗浄ノ可否<br>Cleaning before assembling in compressor                        | 可<br>Yes                      | 否<br>No                |                             |
| 箱機組込前洗浄工程ノ有無<br>Existence of cleaning process before assembling in compressor | 有<br>With                     | 無<br>Without           |                             |

加工剤、洗浄剤、防錆剤、包装仕様ノ選定ハ以下ニヨルコト  
 Specifications of processing agent, cleaning agent, rust inhibitor and packaging shall be selected as follows.  
 社内加工: C-11-4006  
 In-house parts  
 社外加工: AS36C227  
 Purchasing parts



For DDC

|                      |          |          |                       |       |       |                         |         |       |       |           |  |
|----------------------|----------|----------|-----------------------|-------|-------|-------------------------|---------|-------|-------|-----------|--|
| BR140655             | 14/02/25 | 訂正       | 1                     |       |       |                         |         |       |       |           |  |
| 誤記訂正                 |          | 藤井       | 部番                    | 塗装箇所  | 塗装種別  | 素地                      | 工程      | 仕上色   | 艶     | 塗装(マタハ備考) |  |
| CORRECTION OF ERRORS |          | シロムラ     | ITEM                  | PLACE | PAINT | FOUND                   | PROCESS | COLOR | GLOSS | REMARK    |  |
| 補用互換性: 有             |          |          | 指示ナキ箇所ノ公差             |       |       | TOLERANCE NOT INDICATED |         |       |       |           |  |
| BR124695             |          | 12/10/11 | 面取(CHAMFER): 0~+0.5   |       |       | JT125G-YE0B             |         |       |       |           |  |
| 寸法変更                 |          |          | 削り中級(MEDIUM GRADE)    |       |       | 吸入管継手                   |         |       |       |           |  |
| CHANGE OF DIMENSION  |          | 横井       | 作図沿革                  |       |       | SUCTION TUBE JOINT      |         |       |       |           |  |
| 補用互換性: 有             |          | 吉田(健)    | DESIGNED ORIGIN       |       |       | 4PC08094B               |         |       |       |           |  |
| ダイキン工業株式会社           |          |          | DAIKIN INDUSTRIES LTD |       |       | 尺度                      |         |       | SCALE |           |  |
| 作成日                  |          |          | DATE                  |       |       | 12.09.06                |         |       | 試作・生産 |           |  |
| 部品コード                |          |          | PART CODE             |       |       | JC1,2,1,4,50            |         |       |       |           |  |