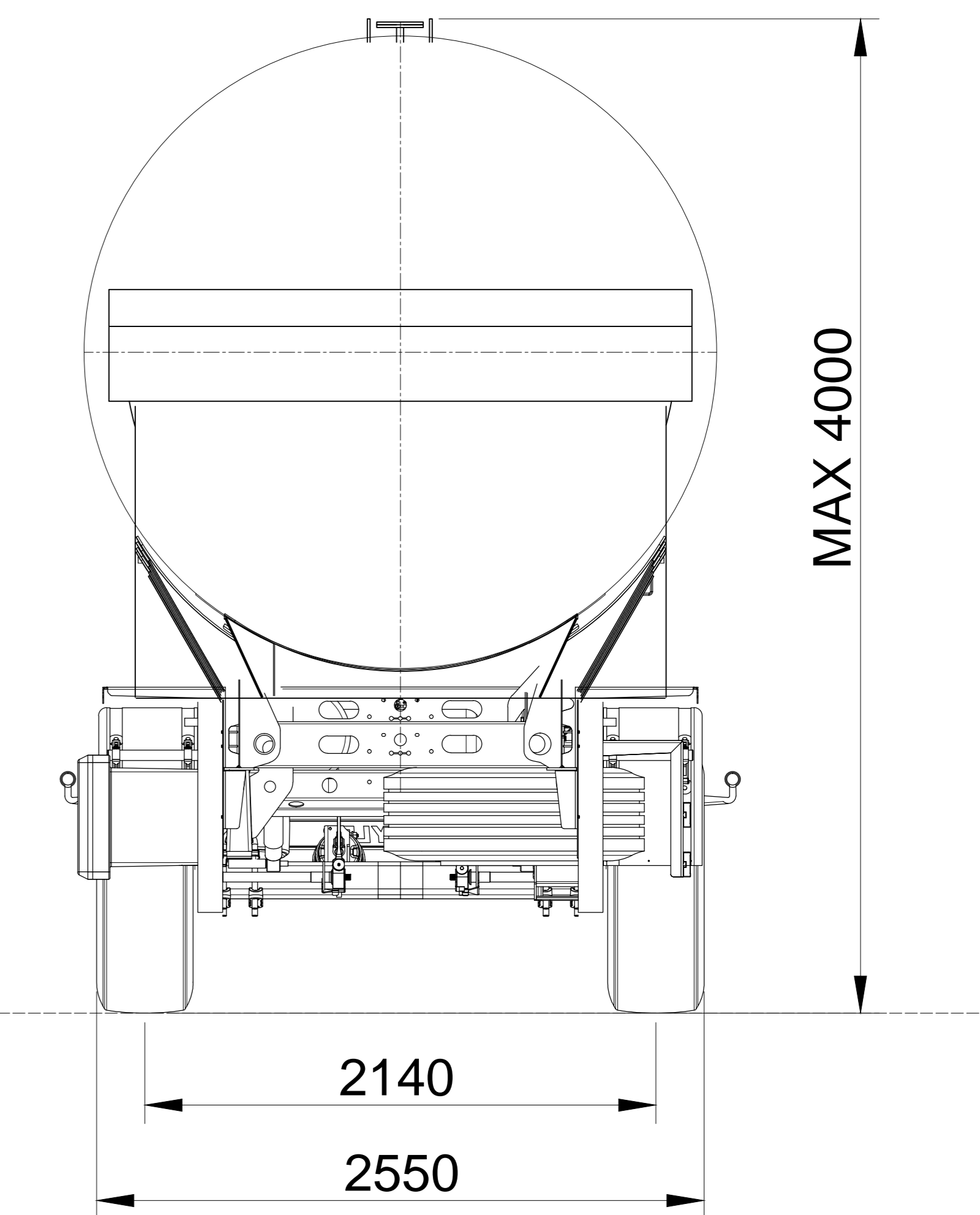


SIDE VIEW



BACK VIEW

DİZAYN ÖZELLİKLERİ/DESIGN SPECIFICATIONS

TİP/TYPE	: Yatık, Silindirik/Horizontal, Cylindrical
BRÜT KAPASİTE/GROSS CAPACITY	: 50 m ³
ÇAP/DIAMETER	: Ø2550 mm
DİZAYN KODU/DESIGN CODE	: ADR/EN 13530
İÇ TANK MAKSİMUM ÇALIŞMA BASINCI/INNER VESSEL MAWP	: 6 BAR
İÇ TANK DİZAYN BASINCI/INNER VESSEL DESIGN PRESSURE	: 7 BAR
TEST BASINCI/TEST PRESSURE	: 9,1 BAR
DIŞ TANK DİZAYN BASINCI/OUTER VESSEL DESIGN PRESS.	: 1 BAR
İZOLASYON TİPİ/TYPE OF INSULATION	: Cryo-Lite&Cryo-Wrap(Multilayer) + Vacuum Insulation
TAŞINACAK ÜRÜN / UN NO (TRANSPORTED PRODUCT)	: UN 1972 (LNG, NATURAL GAS REFRIGATED LIQUID)
DİZAYN SICAKLIĞI/DESIGN TEMPERATURE	: -196 °C / +50 °C
TANK BOŞ AĞIRLIĞI/TARE WEIGHT OF TANK	: 13600 kg (±%3)

* NOTE : The design of the tank is suitable for landing gear legs assembly

CRYOCAN reserves the right to make changes in all dimensions.

REV. 02				
REV. 01				
REVIZYON NO: REVISION NO:	AÇIKLAMA/DESCRIPTION	REVİZE EDEN REVISED BY	REVİZYON TARİHİ REVISION DATE	
	PART NO CBA00002	REV. NO 00	REF. PART NO -	ISO 2768/ISO 2768/ISO 2768/ISO 2768 SAFETY PART YES
	PART NAME 50 m3 LNG SEMITRAIKER GENERAL VIEW			
ÇİZEN / DRAWN Fırat AĞIRKAYA	MATERIAL -	DIMENSIONS (mm) -	WEIGHT (kg) 13600(±%3)	TOLERANCE SM ISO2768/DIN6935
KONTROL / CONTROL Bahadır ATALAY	ADDITIONAL INFORMATION: -			PAGE 1/1
TARİH / DATE 15.09.2017	NOTES: -			SCALE / ÖLÇEK 1:1 P.SIZE A4