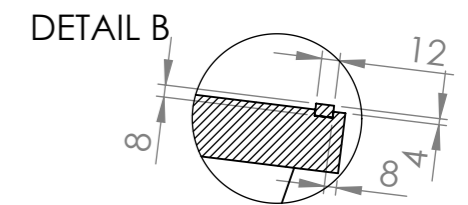
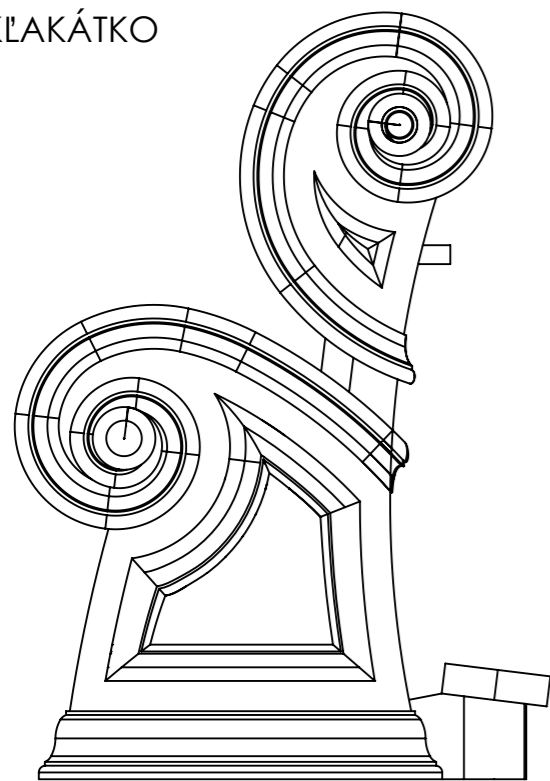


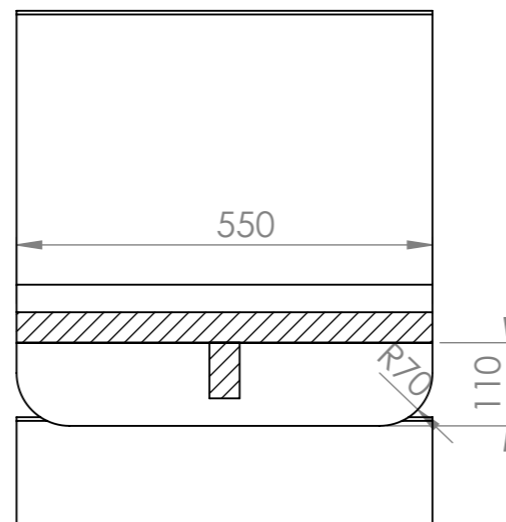
SECTION A-A
SCALE 1 : 10



KLAKÁTKO



SECTION C-C
SCALE 1 : 10



UNLESS OTHERWISE SPECIFIED: DIMENSIONS ARE IN MILLIMETERS SURFACE FINISH: TOLERANCES: LINEAR: ANGULAR:				FINISH:		DEBUR AND BREAK SHARP EDGES		DO NOT SCALE DRAWING		REVISION	
DRAWN J.STRBA				SIGNATURE		DATE 09.07.2015		TITLE: LAVICA_VYKRES			
CHK'D				APPV'D		MFG		Q.A		MATERIAL:	
								DWG NO.		A3	
						WEIGHT:		SCALE:1:10		SHEET 1 OF 1	