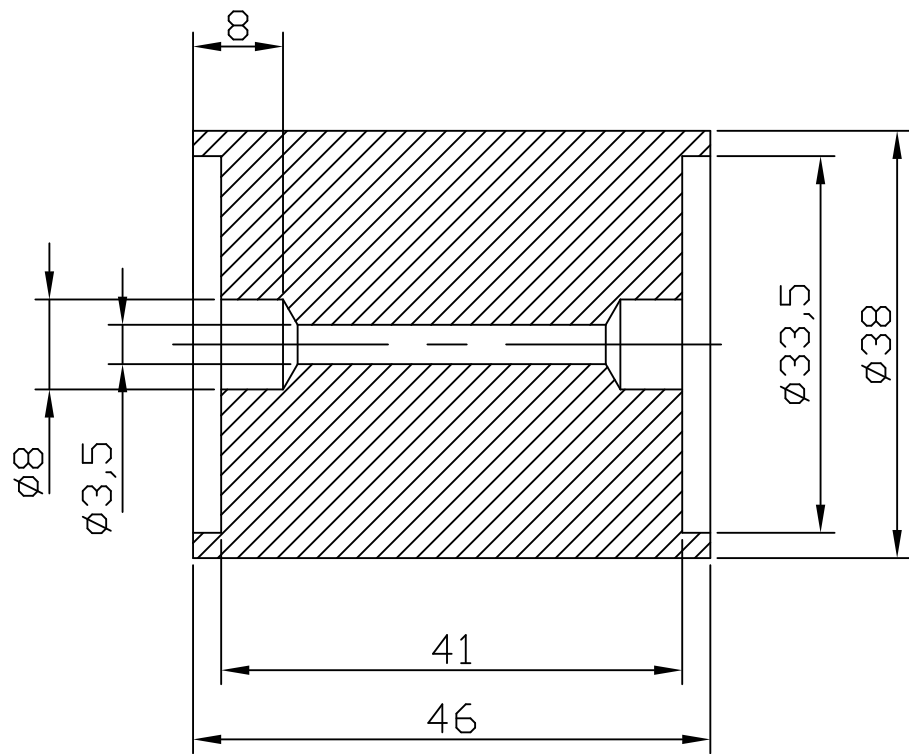


400 KS



75 KS