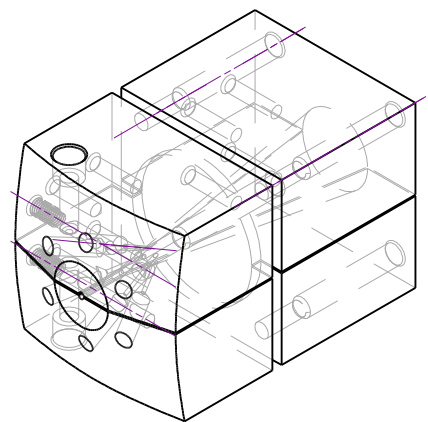
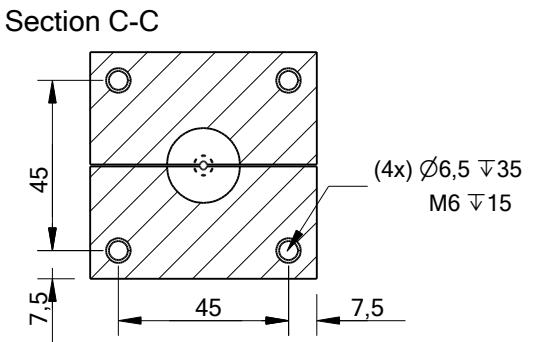
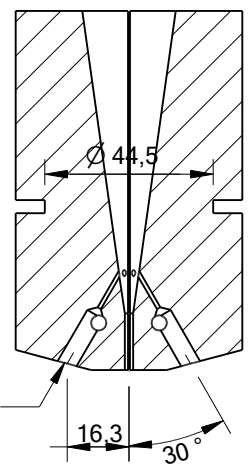
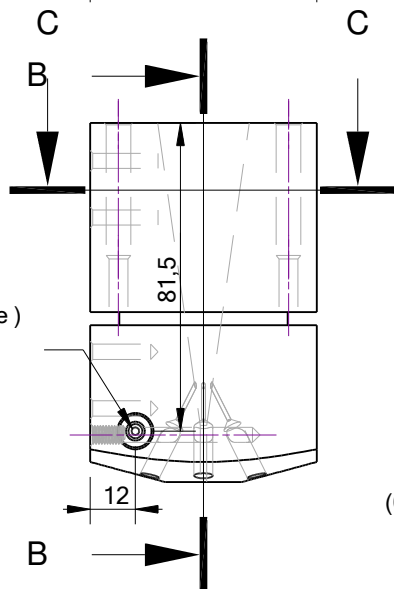
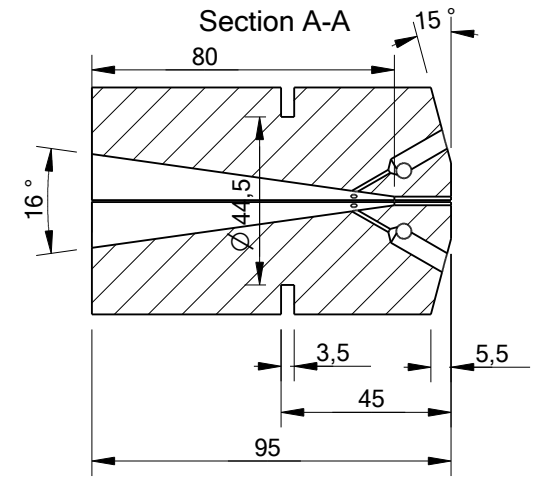
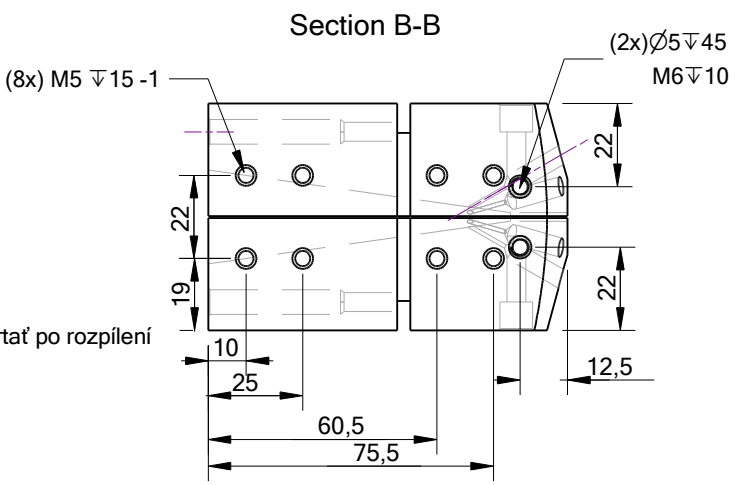
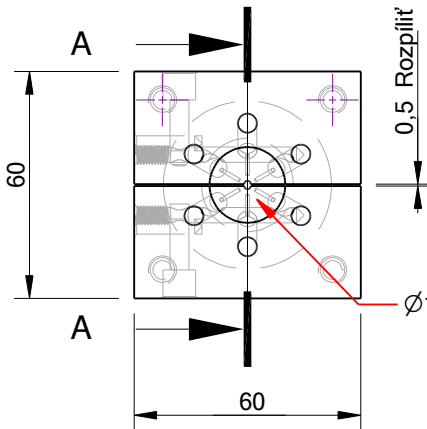



1 2 3 4 5 6

A
B
C
D



		Roffelsen PLASTICS	
Treatment -----		Date 13.05.2020	
Quantity 1x		Scale 1:2	

1 2 3 4 5 6