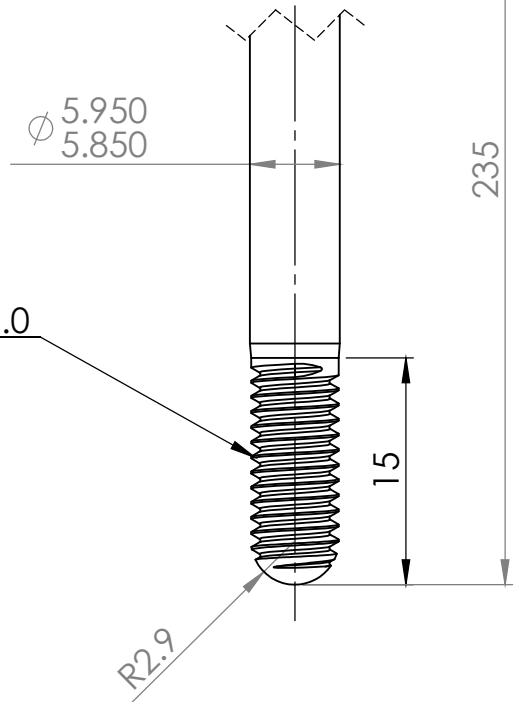
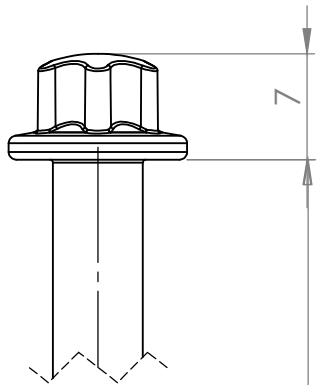
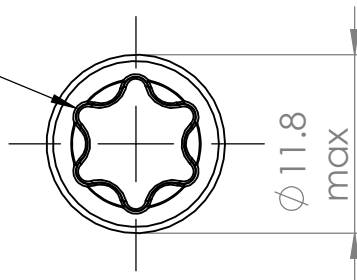


Torx T50 Head
or equivalent



M6 x 1.0

UNLESS OTHERWISE SPECIFIED:
DIMENSIONS ARE IN MILLIMETERS
SURFACE FINISH:
TOLERANCES:
LINEAR:
ANGULAR:

FINISH:

DEBUR AND
BREAK SHARP
EDGES

DO NOT SCALE DRAWING

REVISION

NAME	SIGNATURE	DATE			
DRAWN					
CHK'D					
APPV'D					
MFG					
Q.A					
			MATERIAL: 7075 Al or equiv.		
			WEIGHT:		

TITLE: Tension Through-bolt - M6 T50 Torx	
DWG NO.	A4
SCALE:2:1	SHEET 1 OF 1