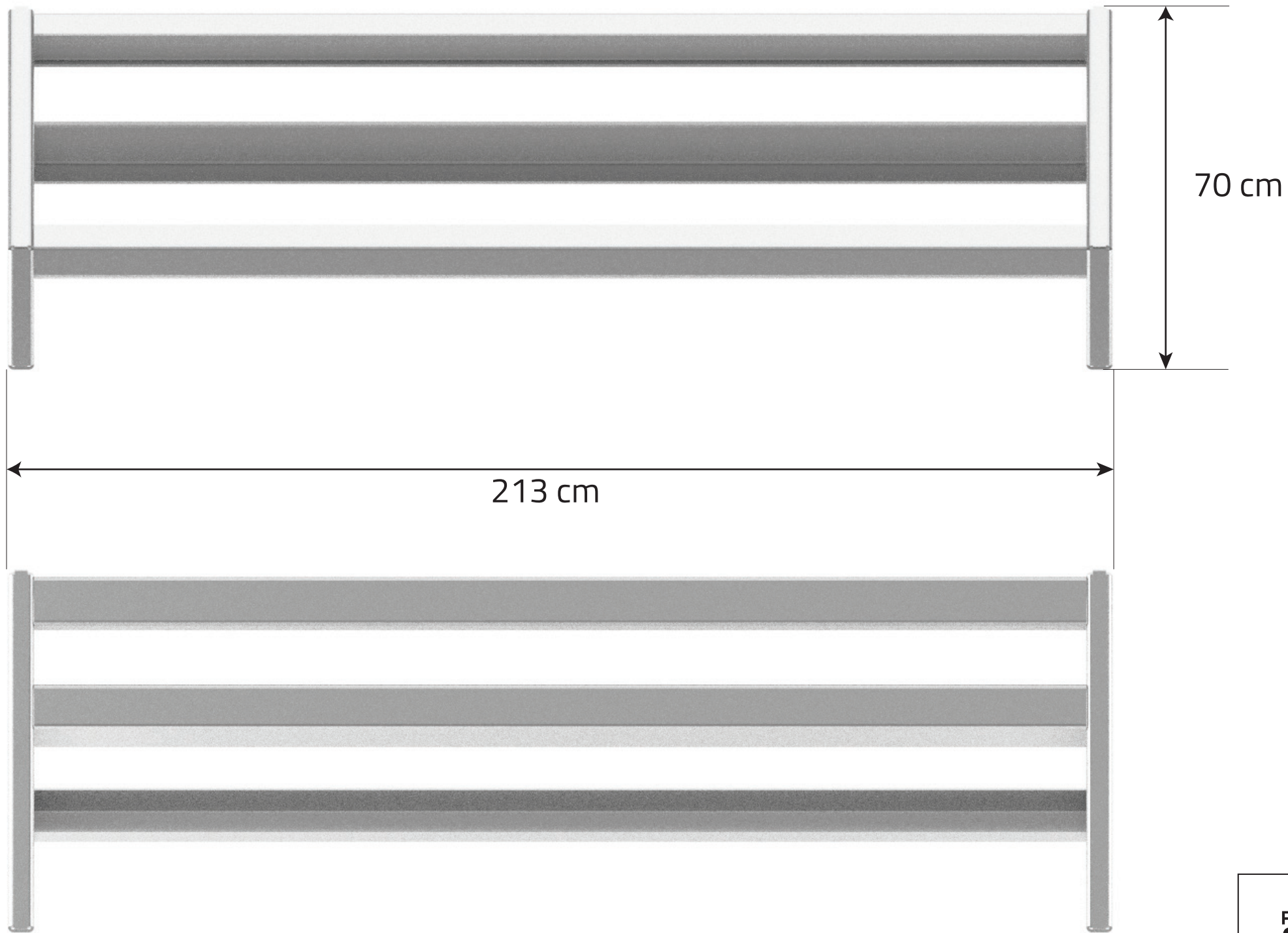
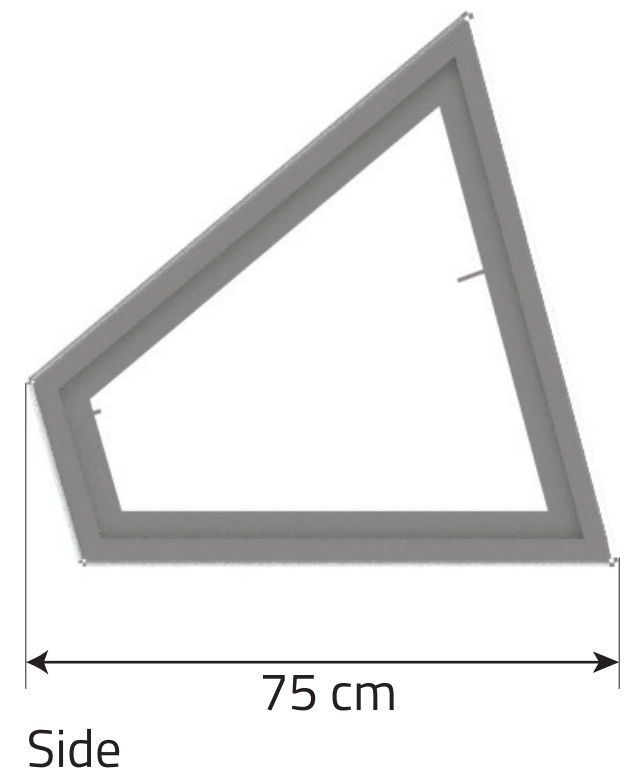



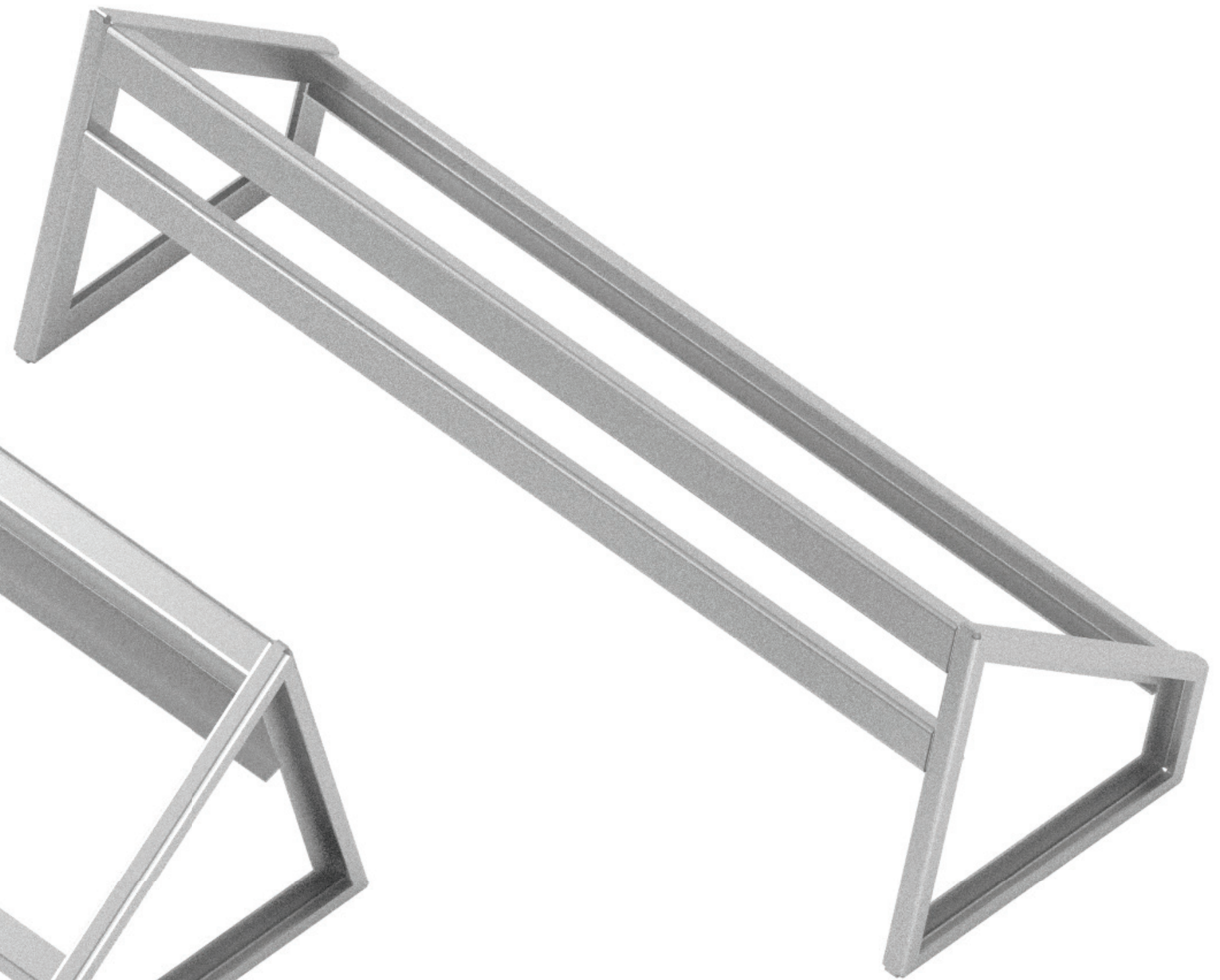
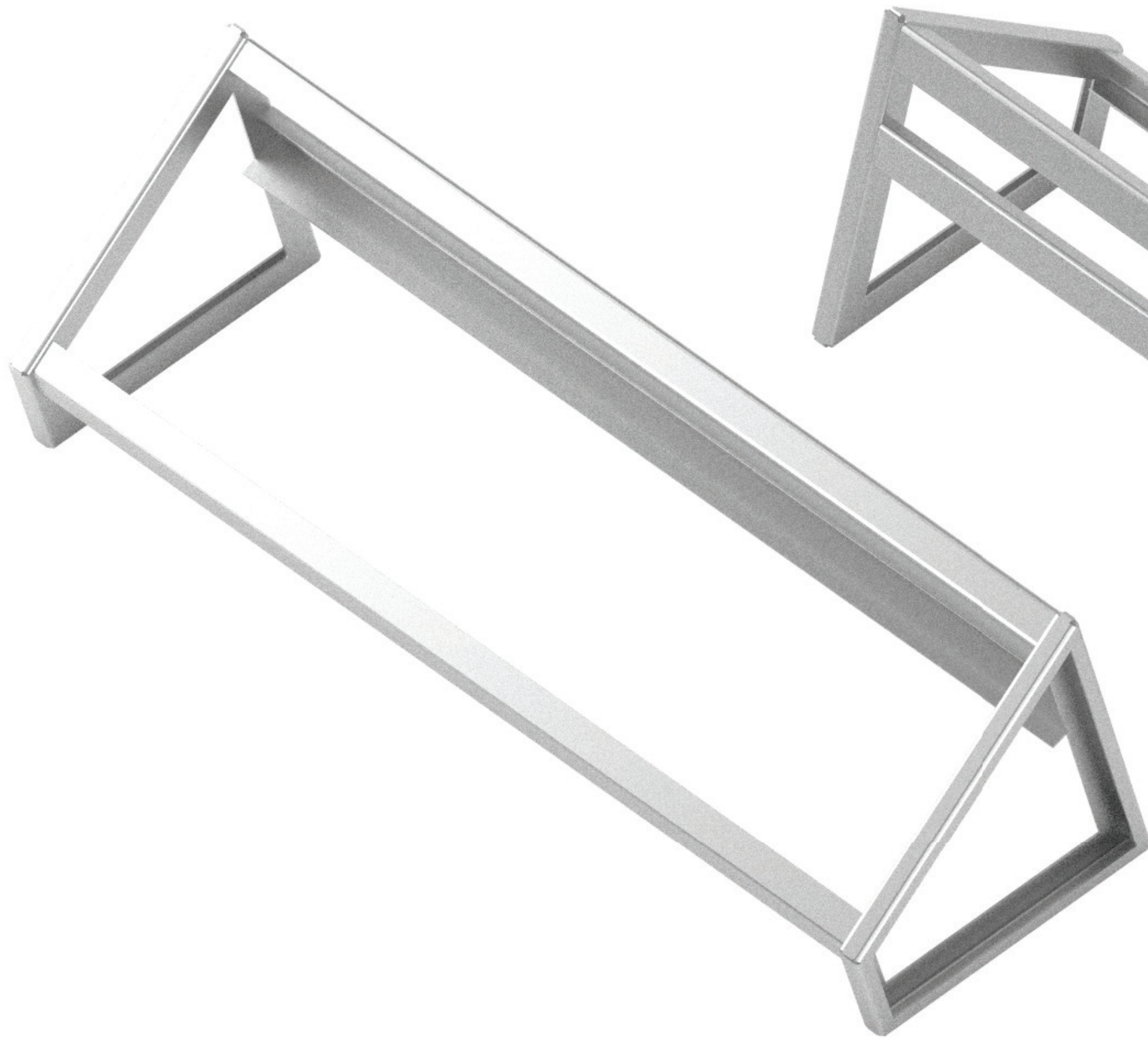
Front




Back



	Project Name CAPASET
Scale N/A	Date 17/02/2016



	Project Name CAPASET
Scale N/A	Date 17/02/2016

